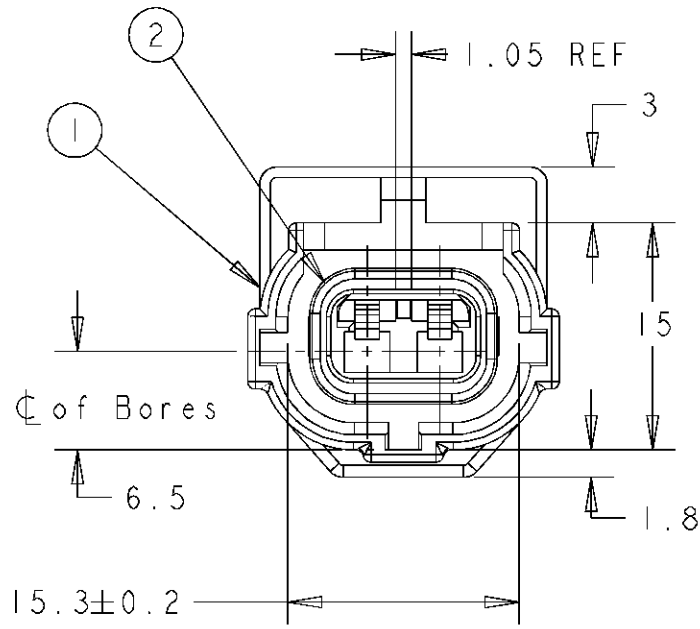
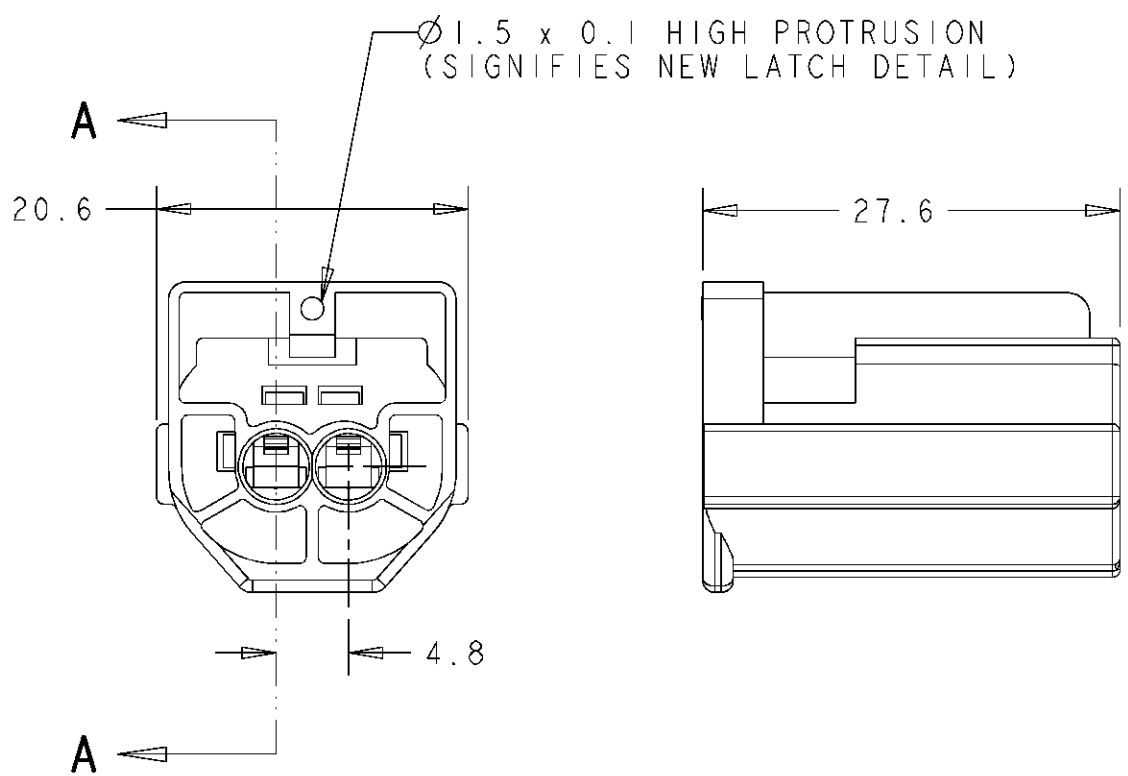
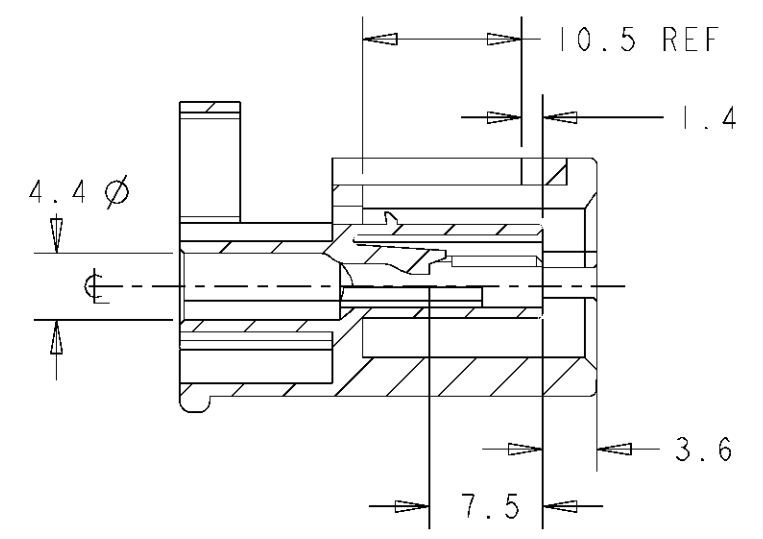


THIS DRAWING IS UNPUBLISHED. RELEASED FOR PUBLICATION
 © COPYRIGHT BY - ALL RIGHTS RESERVED.

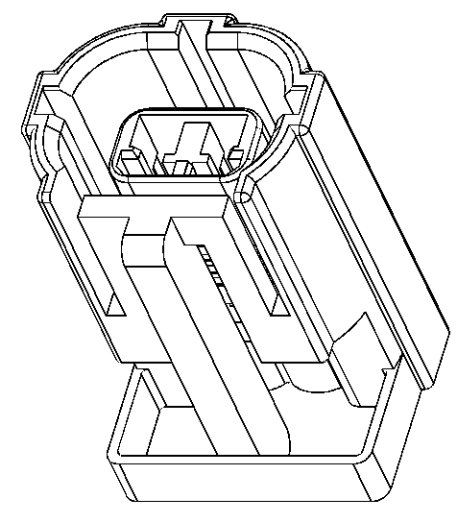
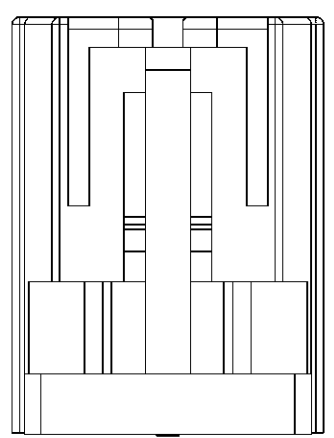
LOC		DIST		REVISIONS					
E		B		P	LTR	DESCRIPTION	DATE	DWN	APVD
				L2		REVISED PER ECO-11-005150	28MAR11	RK	HMR
				L3		ECR-13-010400	20SEP2013	SK	BB



SECTION **A-A**
 SEAL REMOVED FOR CLARITY



CONTROL DIMENSION



SCALE 2:1

2	GREY	NITRILE	173072-2	PERIPHERAL SEAL	1	1-344276-4
1	WHITE	NYLON 66	344275-4	2 WAY REC HSG	1	(WHITE)
2	GREY	NITRILE	173072-2	PERIPHERAL SEAL	1	1-344276-3
1	BLUE	NYLON 66	344275-3	2 WAY REC HSG	1	(BLUE)
2	GREY	NITRILE	173072-2	PERIPHERAL SEAL	1	1-344276-2
1	RED	NYLON 66	344275-2	2 WAY REC HSG	1	(RED)
2	GREY	NITRILE	173072-2	PERIPHERAL SEAL	1	1-344276-1
1	BLACK	NYLON 66	344275-1	2 WAY REC HSG	1	(BLACK)
2	ORANGE	SILICONE	347702-1	PERIPHERAL SEAL	1	344276-4
1	WHITE	NYLON 66	344275-4	2 WAY REC HSG	1	(WHITE)
2	ORANGE	SILICONE	347702-1	PERIPHERAL SEAL	1	344276-3
1	BLUE	NYLON 66	344275-3	2 WAY REC HSG	1	(BLUE)
2	ORANGE	SILICONE	347702-1	PERIPHERAL SEAL	1	344276-2
1	RED	NYLON 66	344275-2	2 WAY REC HSG	1	(RED)
2	ORANGE	SILICONE	347702-1	PERIPHERAL SEAL	1	344276-1
1	BLACK	NYLON 66	344275-1	2 WAY REC HSG	1	(BLACK)
ITEM	COLOUR	MATERIAL	PART NO	DESCRIPTION	Qty	ASSY PT NO

DIMENSIONS: mm		TOLERANCES UNLESS OTHERWISE SPECIFIED:	
	0 PLC	±	
	1 PLC	±0.5	
	2 PLC	±0.5	
	3 PLC	±0.5	
	4 PLC	±	
	ANGLES	±2	
	FINISH	-	
MATERIAL SEE TABLE			

DWN	M. GREENER	28JUL2003
CHK	M. HARRIS	28JUL2003
APVD	B. BAKER	28JUL2003
PRODUCT SPEC		
APPLICATION SPEC		
WEIGHT		
CUSTOMER DRAWING		

		TE Connectivity	
NAME 2 WAY RECEPTACLE HOUSING - ECONOSEAL 3 LOW CURRENT			
SIZE	CAGE CODE	DRAWING NO	RESTRICTED TO
A3	00779	344276	-
SCALE 2:1		SHEET 1 OF 1	REV L3

X-ON Electronics

Largest Supplier of Electrical and Electronic Components

Click to view similar products for [Automotive Connectors](#) category:

Click to view products by [TE Connectivity](#) manufacturer:

Other Similar products are found below :

[003-018-000](#) [60403001](#) [60993906-B](#) [M902-2131](#) [M902-2161](#) [72.330.1035.1](#) [73.353.4028.0](#) [F119300-B](#) [F166900](#) [F258300-B](#) [F358300-B](#)
[F407400](#) [F444110](#) [F487000](#) [F509500B-B](#) [827153-1](#) [8N1515-32-24P](#) [9-1326729-8](#) [925474-1](#) [928905-1](#) [964562-4](#) [968782-1](#) [GT17SA-8DS-](#)
[HU](#) [98891-1012](#) [98947-1016](#) [12004147](#) [12004475-L](#) [12010290](#) [12010309-B](#) [12015454](#) [12020219-B](#) [12020308](#) [12041318-B](#) [12052225-L](#)
[12052466](#) [12059125](#) [12064869](#) [12004327-B](#) [12010503-B](#) [12015308](#) [12015384](#) [12015909](#) [1-21030-1](#) [12041254](#) [12041318](#) [12047946-B](#)
[12047957](#) [12047957-L](#) [12059473](#) [12066261](#)