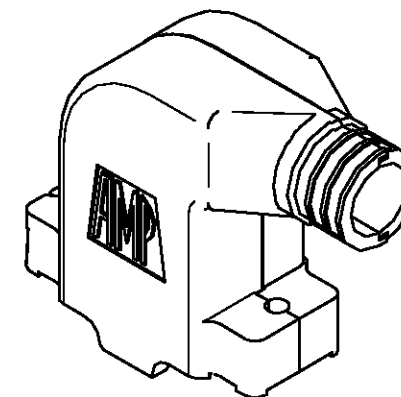
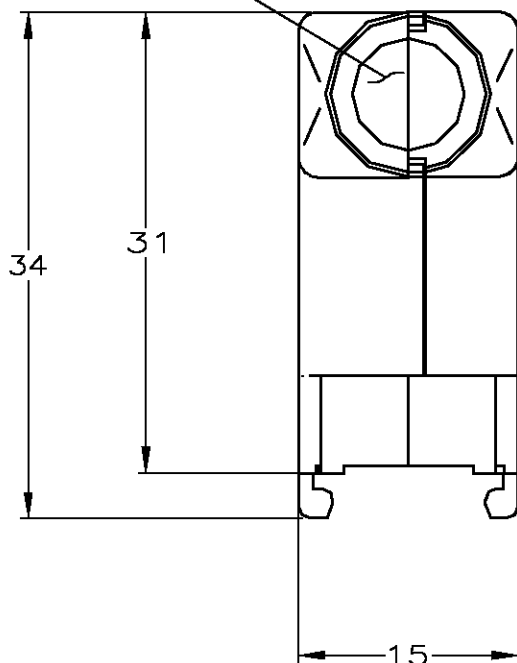
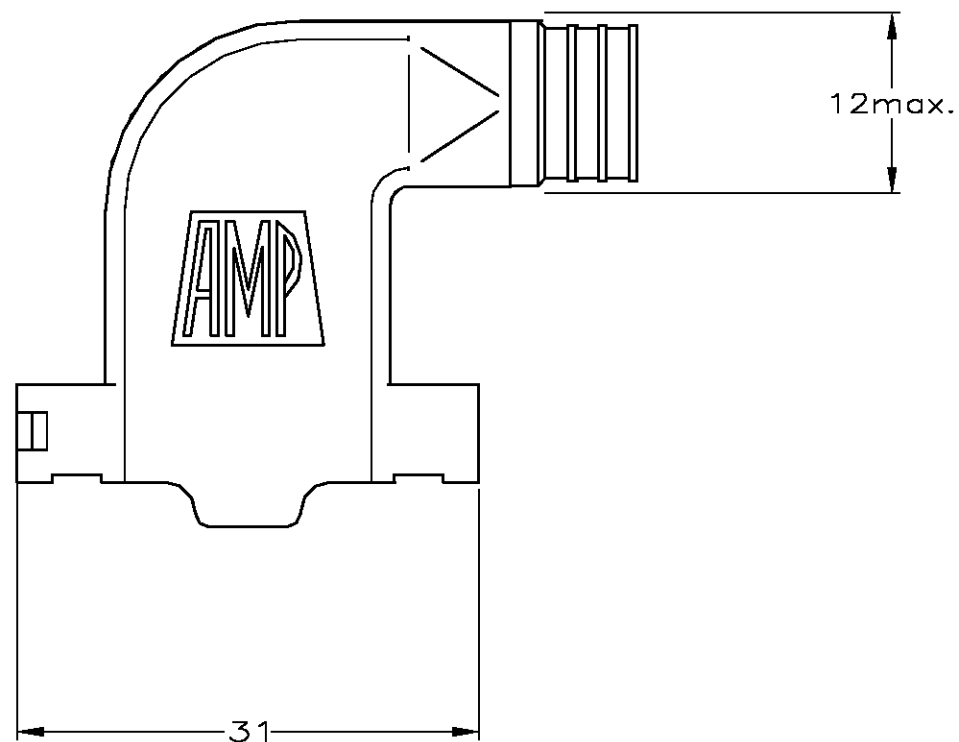


LOC	DIST	REVISIONS					
A	-	P	LTR	DESCRIPTION	DATE	DWN	APVD
		A		ECR-05-007048	22 JUL 05	JvdH	JB

CABLE DIAMETER 7,5 MAX.



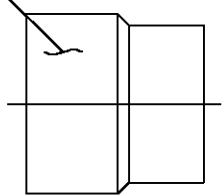
NOTES:

- 1 PART PACKED UNASSEMBLED.
- 2 KIT CONTAINS OF TWO CABLE CLAMP HALVES.
- 3 BULKPACKAGE OF 100 KITS.

SUPERSEDED BY 134752-3

INDIVIDUAL KIT.	2	NICKEL	WITH	134752 -3
BULKPACKAGE.	3	NICKEL	WITH	134752 -2
BULKPACKAGE.	3	PLAIN	WITH	134752 -1
		FINISH	LOGO	PART NUMBER

FERRULE TO BE ORDERED SEPARATELY.



CABLE OUTSIDE DIAMETER	N° Ferrule
4,2-6,2	747579-8
6,2-8,2	1-747579-0
8,2-9,5	1-747579-1
9,5-11,1	1-747579-2

THIS DRAWING IS A CONTROLLED DOCUMENT.		DWN JP PICAUD 21.IX.88	Tyco Electronics, Nederland BV 's-Hertogenbosch, Netherlands	
DIMENSIONS: mm		CHK -	NAME	
TOLERANCES UNLESS OTHERWISE SPECIFIED:		APVD -	90 DEGREES AMPLIMITE CABLE CLAMP SIZE 1	
0 PLC ± -		PRODUCT SPEC -	-	
1 PLC ± -		APPLICATION SPEC -	SIZE A3	CAGE CODE 00779
2 PLC ± -		WEIGHT -	DRAWING NO C=134752	
3 PLC ± -		CUSTOMER DRAWING	RESTRICTED TO -	
4 PLC ± -			SCALE 2:1	SHEET 1 OF 1
ANGLES ± -			REV A	
MATERIAL ZAMAK	FINISH SEE TABLE.			

X-ON Electronics

Largest Supplier of Electrical and Electronic Components

Click to view similar products for [D-Sub Tools & Hardware](#) category:

Click to view products by [TE Connectivity](#) manufacturer:

Other Similar products are found below :

[000-01-09-132](#) [000-01-21-132](#) [000-01-31-162](#) [572019-00105-70](#) [000-01-37-162](#) [621-250-113-115](#) [D110550-2](#) [D20418-137](#) [780-518-50SG6-WS](#) [86552009](#) [86553115TLF](#) [86553117TLF](#) [1230032-1](#) [1-5021101-2](#) [15-000050](#) [1589283-4](#) [160-000-005R031](#) [16-000230](#) [160-025-004R031](#) [160-000-137R000](#) [160-020-209R000](#) [160X10909X](#) [164C03939A](#) [177-505-A-2-2](#) [1-966830-8](#) [21018-6](#) [21028-2](#) [2-1393560-9](#) [JS-1000](#) [L17D204182M3E](#) [L17D53018](#) [300X10779X](#) [160X10189X](#) [160X10419X](#) [162-000-050R000](#) [21018-5](#) [212561-3](#) [248C21550X](#) [CF15P](#) [QLOCKPOST-2](#) [D110277](#) [500-008NF1K-01](#) [500-008NF3R3KS-01](#) [500-017M09FN](#) [500-017M15MHN](#) [500-024M1](#) [500-068M3](#) [5-1393561-5](#) [C115373-0001](#) [C115373-0002](#)