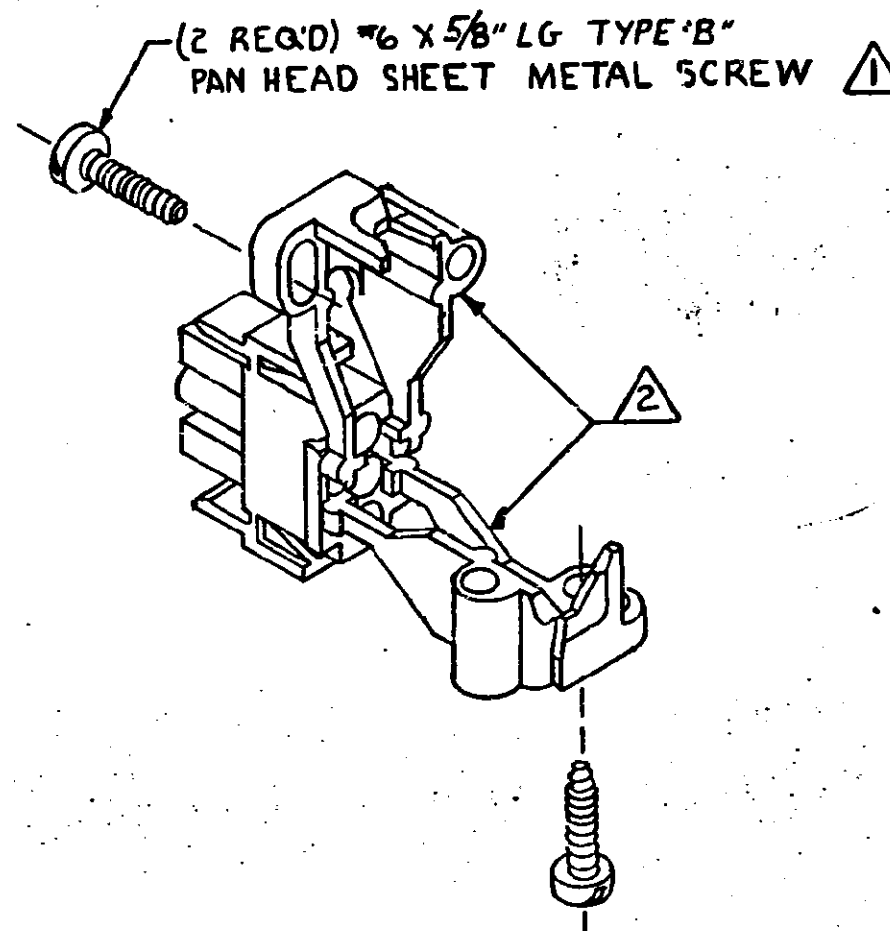
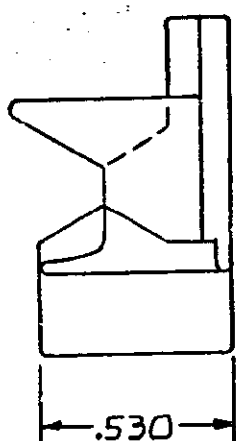
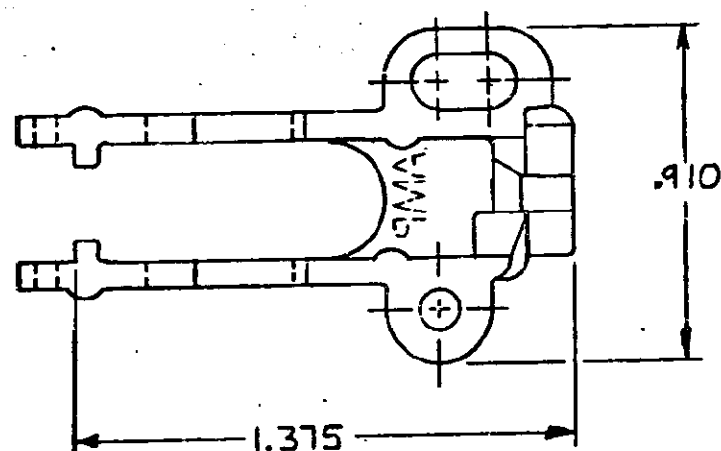
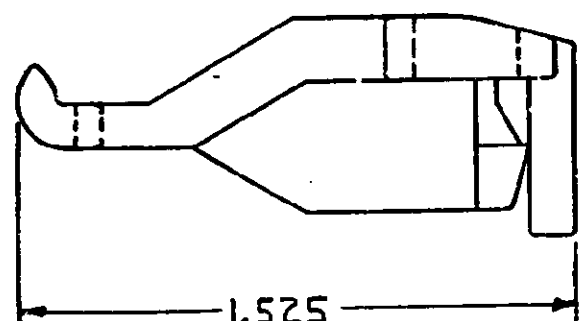


DRAWING MADE IN THIRD ANGLE PROJECTION

© COPYRIGHT 1973 BY AMP INCORPORATED, HARRISBURG, PA.
ALL INTERNATIONAL RIGHTS RESERVED. AMP INCORPORATED PRODUCTS
COVERED BY U. S. AND FOREIGN PATENTS AND/OR PATENTS PENDING.

⚠
3 SHEET METAL SCREWS NOT SUPPLIED.
TWO REQUIRED PER CONNECTOR.
FOR USE WITH 2, 3 & 4 CIRCUIT HOUSINGS WITH A MAXIMUM
WIRE BUNDLE DIAMETER OF 5/16".

REVISIONS						
P	F	ZONE	LTR	DESCRIPTION	DATE	APPROVED
✓			D	REDRAWN & ADDED 3 VIEW ORTHOGRAPHIC PROJECTION M-5661	2-14-80	MSF/D.K.
✓			D ₁	RESTORED	12-7-84	RPH/RS
✓			E	OBSOLETE -2,-3,-4,-5,-6,-7,-8, -9 PER CM-473	4-15-86	KW/RS
✓			F	OBSOLETE -1 PER CM-930	6-6-88	PH/RS
✓			G	REV PER ECN CM-3828	8-3-92	NJG/RS



COLOR	MATERIAL	PART NO
NATURAL	NYLON 94 V-2	1-350589-0

UNLESS OTHERWISE SPECIFIED DIMENSIONS ARE IN INCHES. TOLERANCES ON: DECIMALS ± .015 ANGLES ±	CONTRACT NO	AMP INCORPORATED Harrisburg, Pa.	
	CONTRACT NO	AMP	
MATERIAL	CHK	NAME	
SEE TABLE	APPD	STRAIN RELIEF FOR UNIVERSAL MATE-N-LOK™ HOUSING	
FINISH	APPD	SIZE	CODE IDENT NO DRAWING NO
SEE TABLE	DSGN APPD	C	00779 350589
	OTHER APPD	SCALE	SHEET
		2-1	

CUSTOMER DRAWING

350589

X-ON Electronics

Largest Supplier of Electrical and Electronic Components

Click to view similar products for [Pin & Socket Connectors](#) category:

Click to view products by [TE Connectivity](#) manufacturer:

Other Similar products are found below :

[6450822-1](#) [770392-1](#) [794042-1](#) [796885-1](#) [8-794535-1](#) [PLR3455ACS-222](#) [R929991004](#) [R929993003](#) [1403611-1](#) [1-480349-5](#) [152302-5](#)
[153211-2](#) [1586092-1](#) [1586129-1](#) [1586681-4](#) [1586700-1](#) [1586368-1](#) [1586380-1](#) [1586616-1](#) [1586680-5](#) [16-06-0038](#) [164164-5](#) [1-6609930-1](#)
[172296-1](#) [19-09-2035](#) [200503-1](#) [200788-2](#) [2029090-4](#) [2029095-4](#) [925061-7](#) [293734-4](#) [293737-2](#) [1-765362-4](#) [1871534-1](#) [200833-4](#)
[2008625-2](#) [2029027-2](#) [2029096-4](#) [R929991000](#) [R929991002](#) [R929993000](#) [319-10-101-00-005000](#) [319-10-102-00-001000](#) [319-10-104-00-001000](#) [319-10-105-00-001000](#) [319-10-108-00-001000](#) [319-10-112-00-006000](#) [39-01-8019](#) [319-10-101-00-001000](#) [319-10-102-00-005000](#)