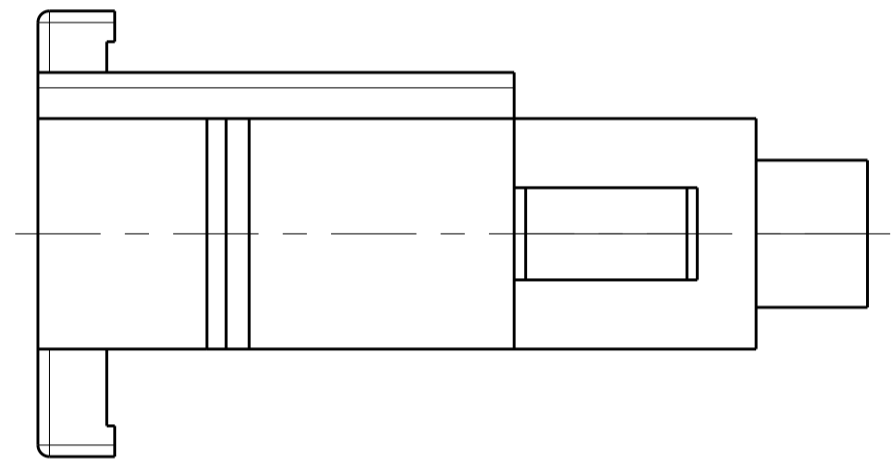
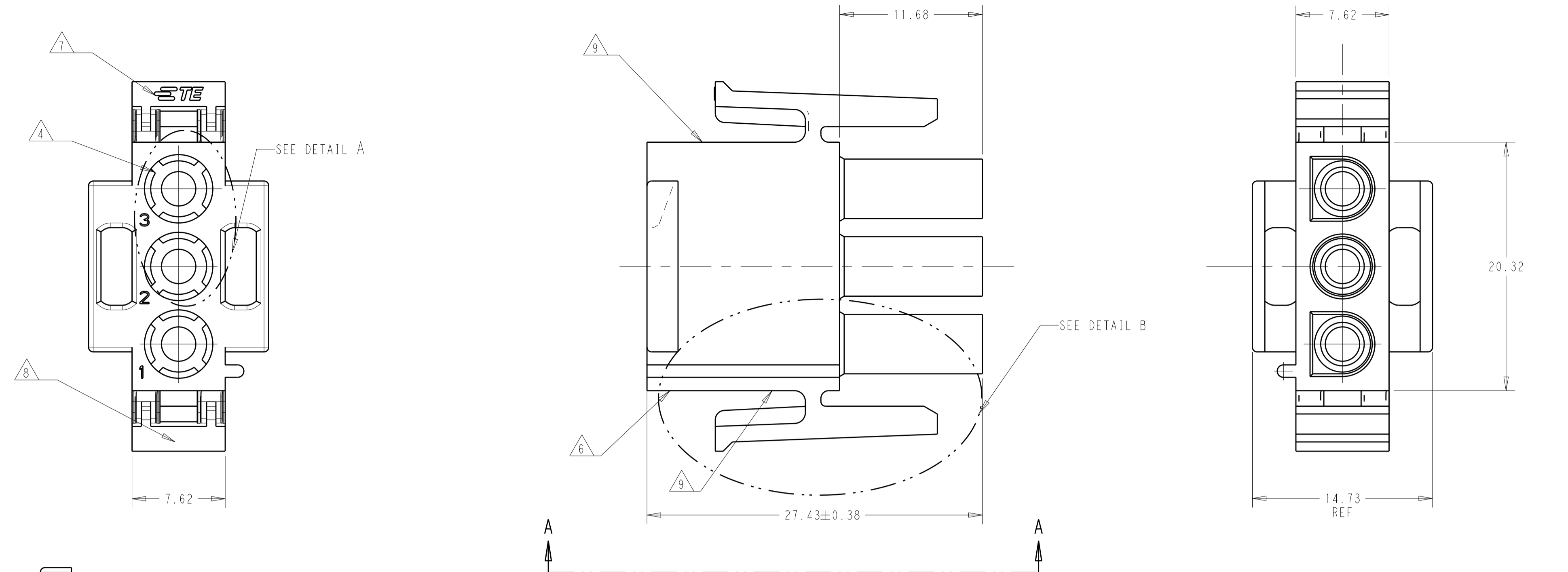
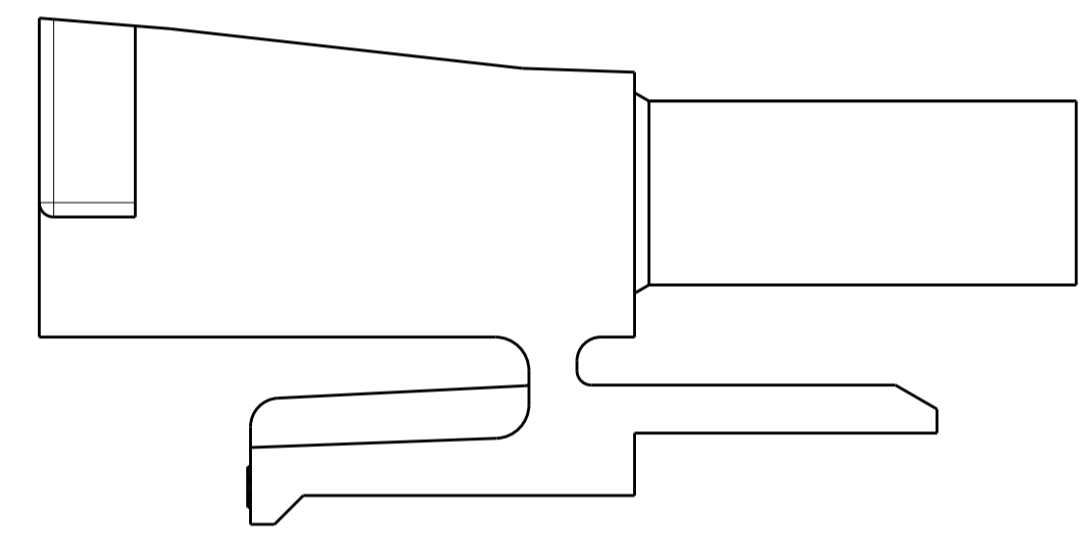
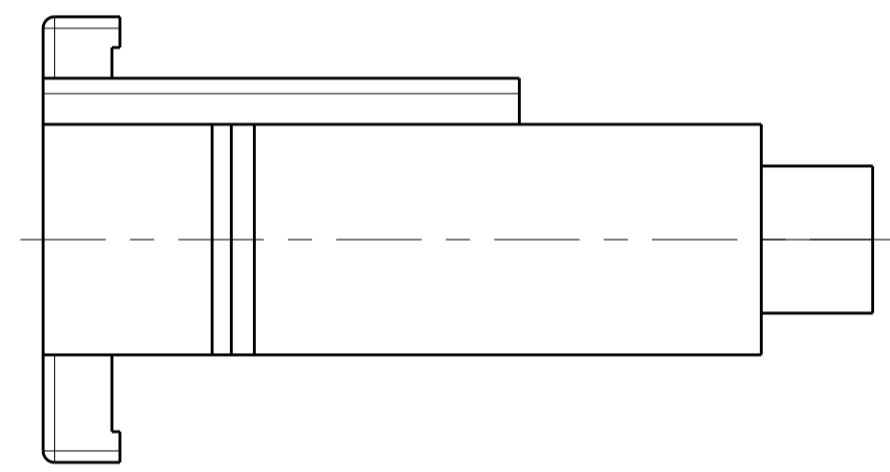


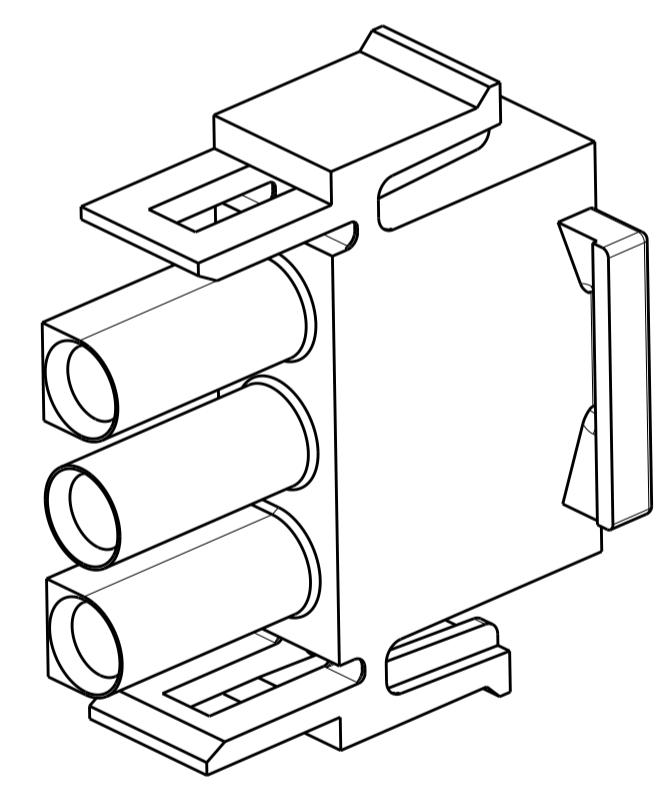
REVISIONS					
P	LTN	DESCRIPTION	DATE	OWN	APVD
Z		REVISED PER ECR-19-011518	06SEP2019	BDA	SF
AA		REVISED PER ECO-20-006810	01JUN2020	BKW	SF



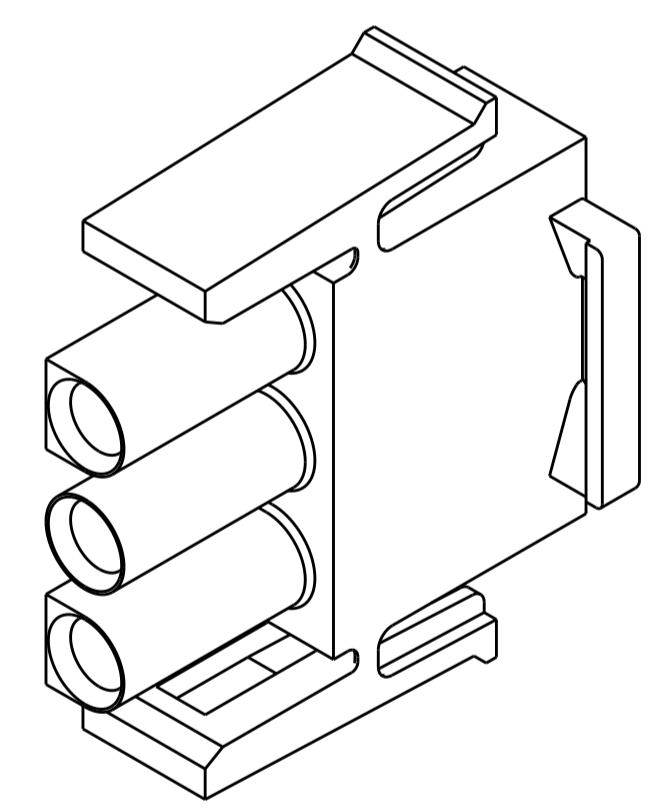
VIEW A-A
350766-4 ONLY



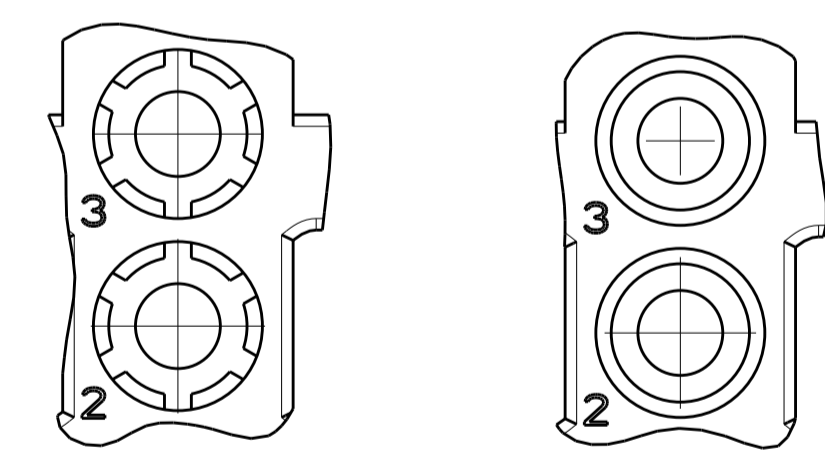
DETAIL B
350766-4 ONLY



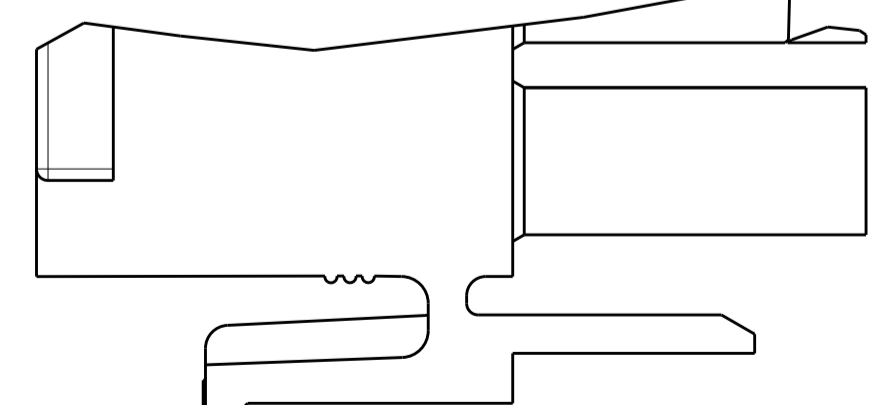
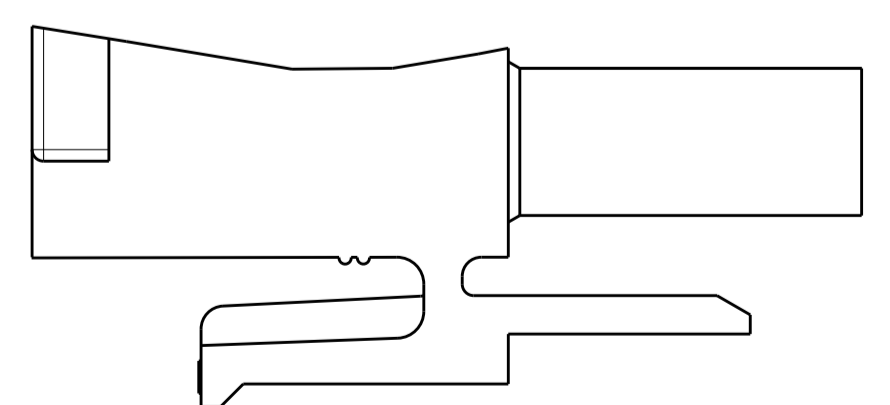
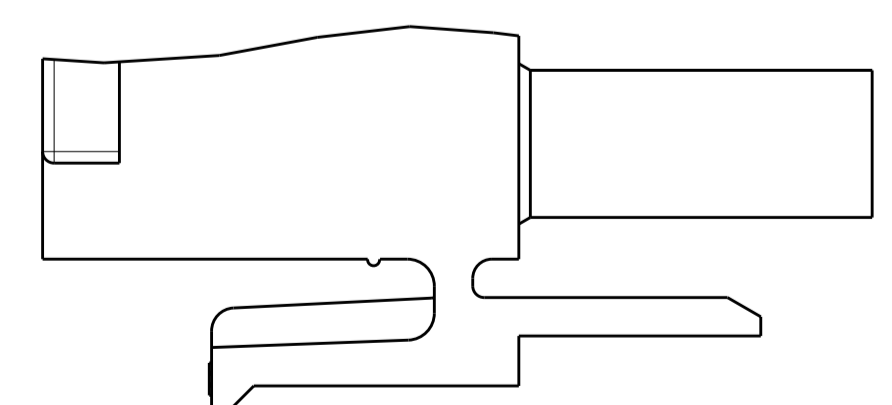
350766-4 3-DIMENSIONAL MODEL
NTS



3-DIMENSIONAL MODEL
NTS



DETAIL A
OPTIONAL CONSTRUCTIONS



DETAIL C
OPTIONAL CONSTRUCTIONS WITH MOLD PULL RIBS

- 1 MATES WITH APPROPRIATE UNIVERSAL MATE-N-LOK CAP OR HEADER.
- 2 SMALL NICKS ARE PERMITTED ON THE CIRCUIT TOWERS WHICH COULD INCREASE THE INITIAL HOUSING MATING FORCE BY UP TO 4.4 NEWTONS [1.0 LBS]. NO INDIVIDUAL NICKED TOWER SHALL INCREASE THIS FORCE BY OVER 2.2 NEWTONS [.5 LBS].
- 3 DIMENSIONS SHOWN REPRESENT PRODUCT IN DRY, AS MOLDED, CONDITION. ADDITIONAL 2% GROWTH DUE TO SUBSEQUENT MOISTURE ABSORPTION MAY OCCUR AND SHOULD BE ACCOUNTED FOR.
- 4 FOUR RIBS EQUALLY SPACED, NO SPECIFIC ORIENTATION. NO RIBS OR SIX RIBS EQUALLY SPACED, NO SPECIFIC ORIENTATION, OPTIONAL.
- 5 NOT MANUFACTURED IN U.S.
- 6 UNDERWRITERS RECOGNIZED COMPONENT LOGO AND CSA CERTIFICATION LOGO TO BE LOCATED ONCE EACH ON SIDE OF HOUSING.
- 7 TRADEMARK LOCATION (AMP OR TE CONNECTIVITY).
- 8 MANUFACTURING LOCATION ID (OPTIONAL).
- 9 PRESENCE OF MOLD RELEASE RIBS IS OPTIONAL. RIBS DO NOT AFFECT FIT OR FUNCTION OF PRODUCT. SEE DETAIL C FOR CONSTRUCTION OPTIONS WITH 1, 2, OR 3 RIBS.

1.080	27.43
.800	20.32
.580	14.73
.460	11.68
.300	7.62
.015	0.38
.005	0.13
IN	MM

CONVERSION TABLE

BLACK	1-350766-9
GRAY	1-350766-8
BLUE	1-350766-6
GREEN	1-350766-5
YELLOW	1-350766-4
ORANGE	1-350766-3
RED	1-350766-2
BROWN	1-350766-1
NATURAL	350766-4
NATURAL	350766-2
NATURAL	350766-1
COLOR	PART NUMBER

THIS DRAWING IS A CONTROLLED DOCUMENT.		OWN R. WHITAKER 07OCT2005	TE Connectivity	
DIMENSIONS: IN		CHK S. RIDGILL 07OCT2005	NAME PLUG, 3 CIRCUIT, UNIVERSAL MATE-N-LOCK(TM)	
TOLERANCES UNLESS OTHERWISE SPECIFIED: 0 PLC ± 1 PLC ± 2 PLC ± 3 PLC ± 4 PLC ± ANGLES ±		APVD S. RIDGILL 07OCT2005	PRODUCT SPEC 108-1031	
MATERIAL NYLON, UL 94V-0		FINISH -	APPLICATION SPEC 114-1010	SIZE A
		WEIGHT -	CAGE CODE 00779	DRAWING NO 350766
		CUSTOMER DRAWING	SCALE 4:1	SHEET 1 OF 1
			REV AA	

X-ON Electronics

Largest Supplier of Electrical and Electronic Components

Click to view similar products for [Pin & Socket Connectors](#) category:

Click to view products by [TE Connectivity](#) manufacturer:

Other Similar products are found below :

[6450822-1](#) [770392-1](#) [794042-1](#) [796885-1](#) [8-794535-1](#) [PLR3455ACS-222](#) [R929991004](#) [R929993003](#) [1403611-1](#) [1-480349-5](#) [152302-5](#)
[153211-2](#) [1586092-1](#) [1586129-1](#) [1586681-4](#) [1586700-1](#) [1586368-1](#) [1586380-1](#) [1586616-1](#) [1586680-5](#) [16-06-0038](#) [164164-5](#) [1-6609930-1](#)
[172296-1](#) [19-09-2035](#) [200503-1](#) [200788-2](#) [2029090-4](#) [2029095-4](#) [925061-7](#) [293734-4](#) [293737-2](#) [1-765362-4](#) [1871534-1](#) [200833-4](#)
[2008625-2](#) [2029027-2](#) [2029096-4](#) [R929991000](#) [R929991002](#) [R929993000](#) [319-10-101-00-005000](#) [319-10-102-00-001000](#) [319-10-104-00-001000](#) [319-10-105-00-001000](#) [319-10-108-00-001000](#) [319-10-112-00-006000](#) [39-01-8019](#) [319-10-101-00-001000](#) [319-10-102-00-005000](#)