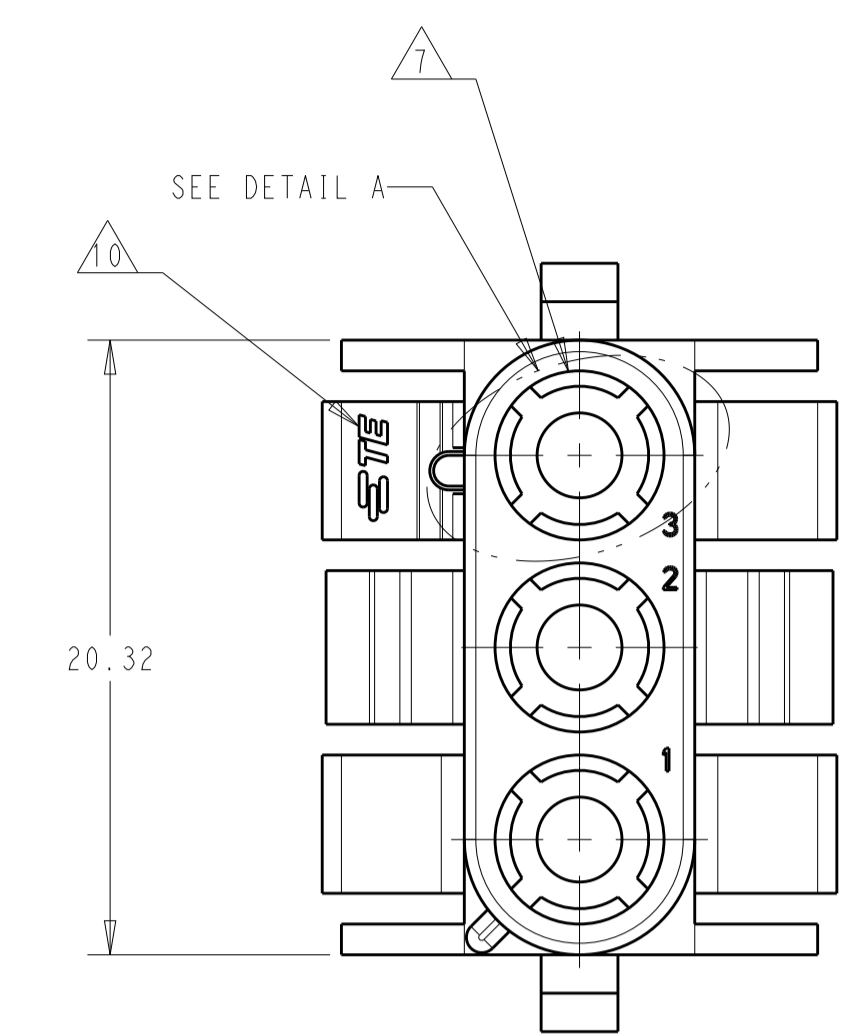
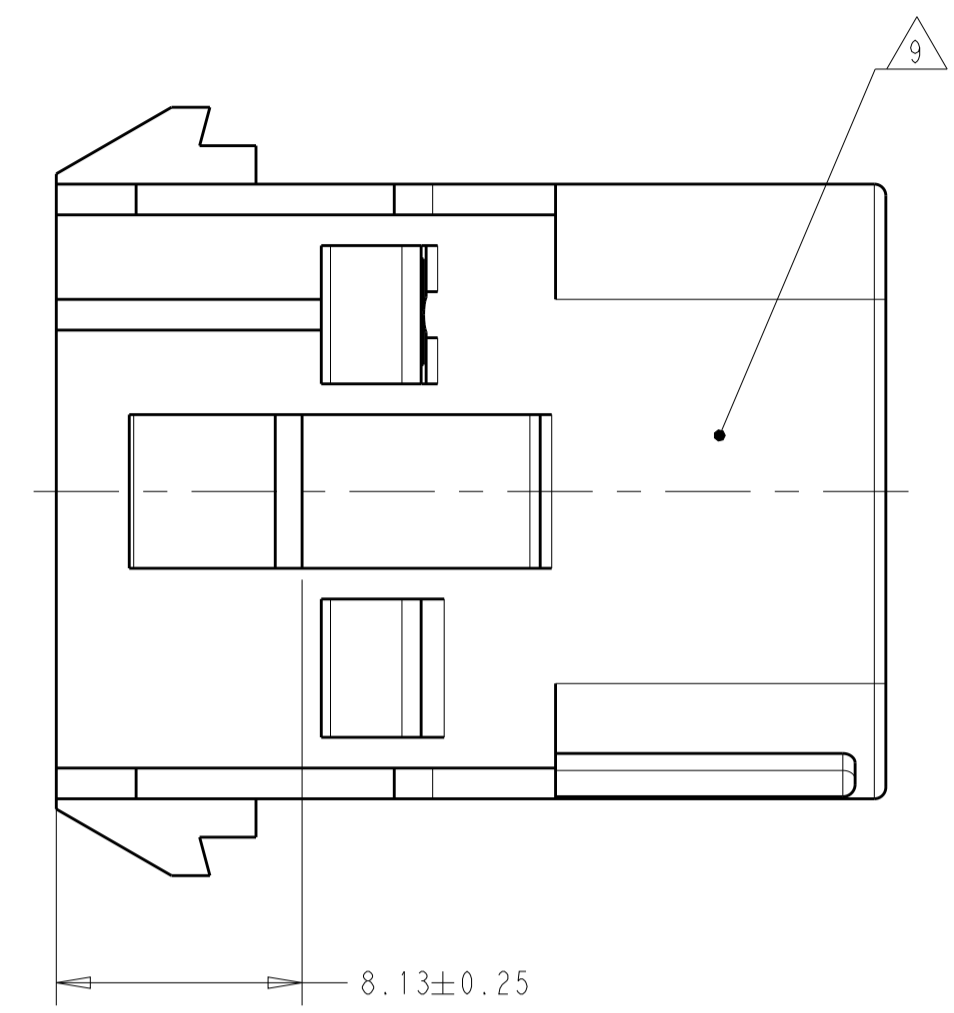
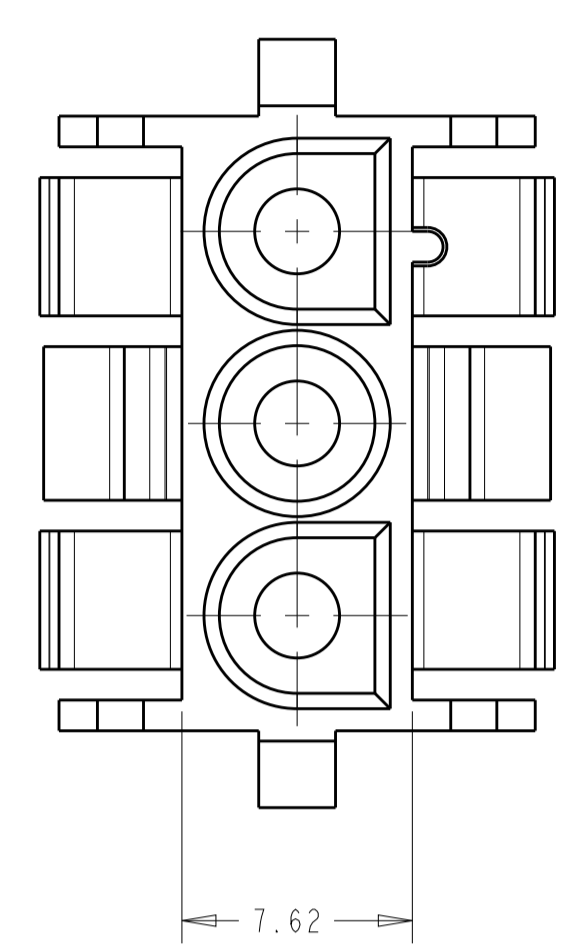
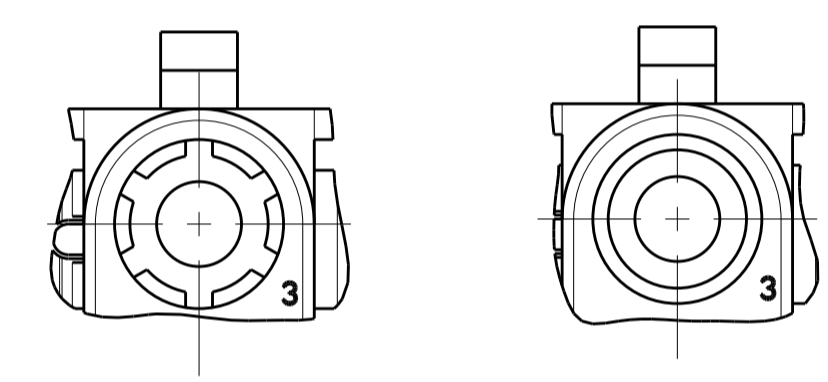


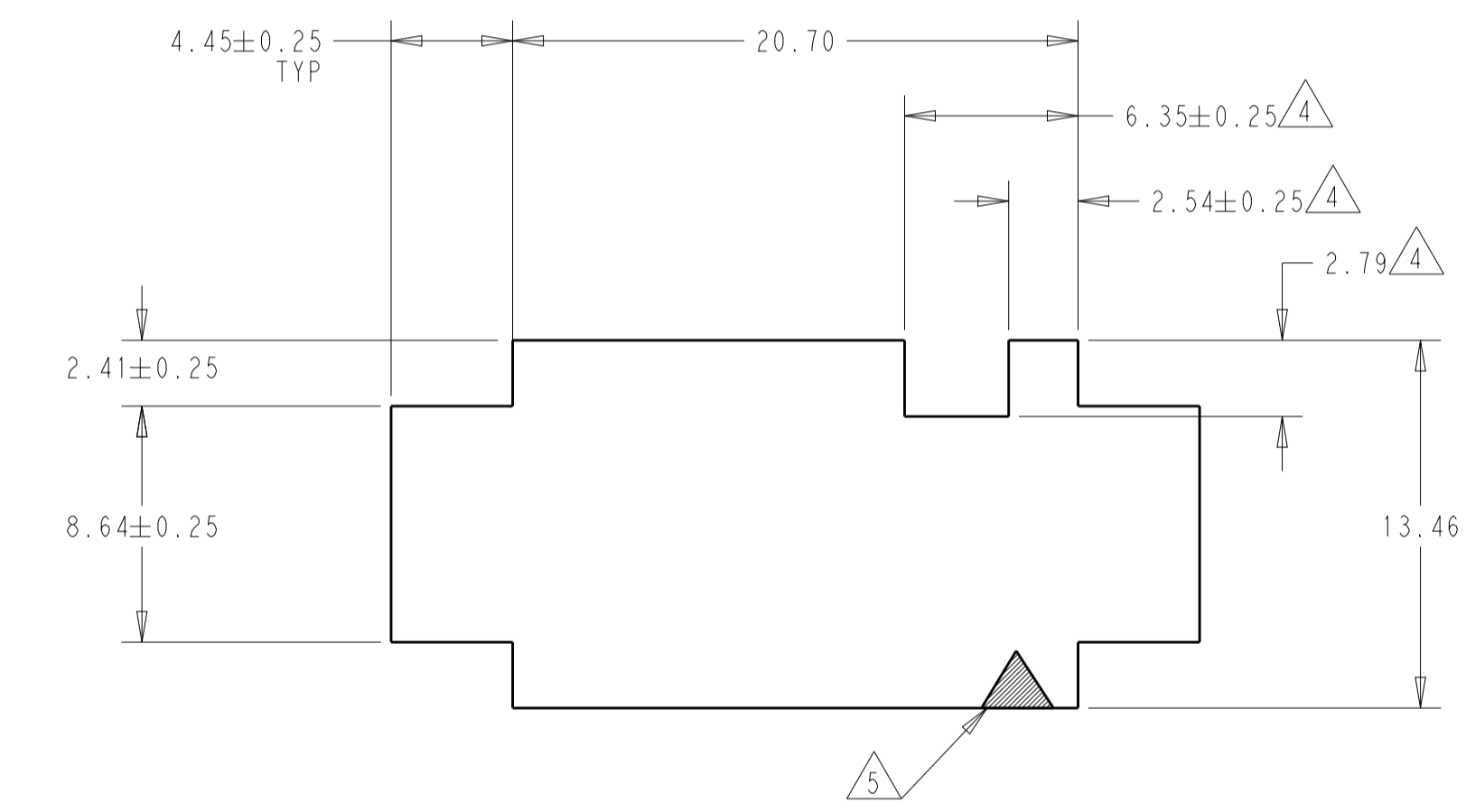
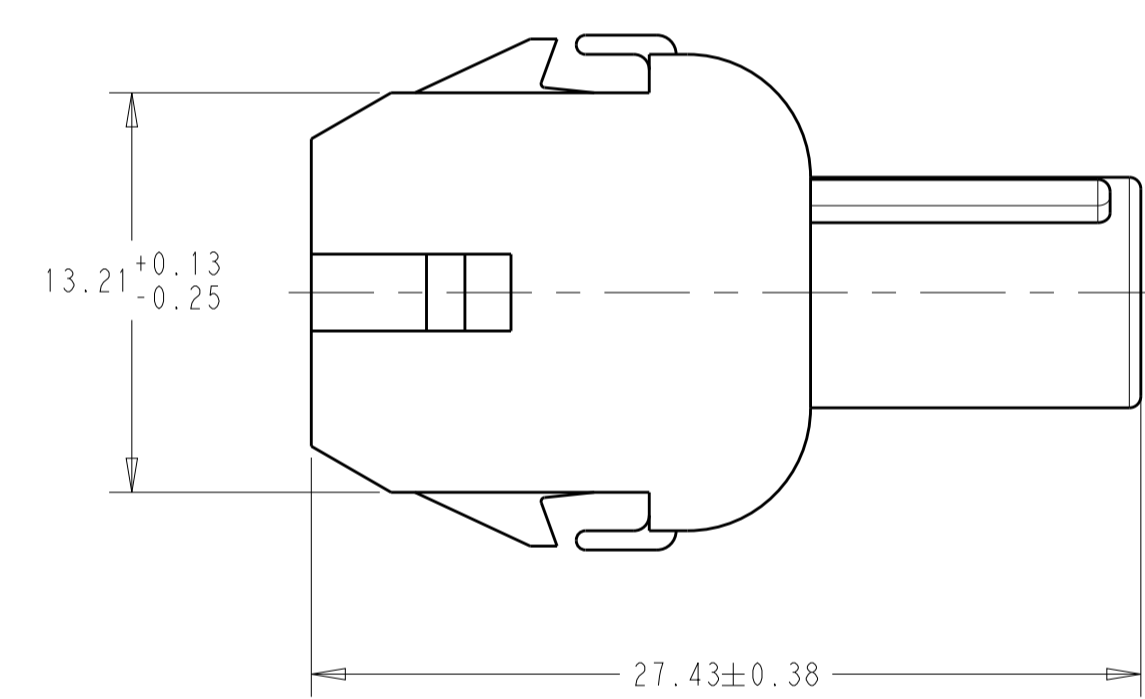
REVISIONS					
P	LTN	DESCRIPTION	DATE	DWN	APVD
Y5		REDRAWN PER ECO-19-005708	01MAY2019	BKW	SF
Z		REVISED PER ECO-20-006810	02JUN2020	BKW	SF



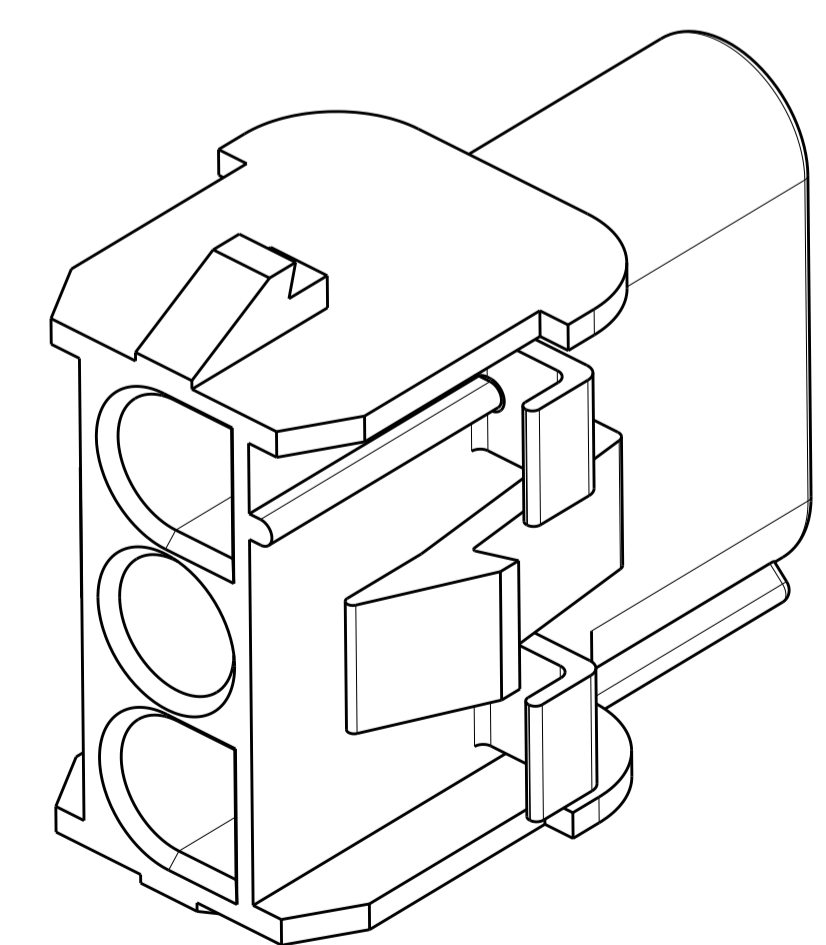
1. MATES WITH APPROPRIATE UNIVERSAL MATE-N-LOCK™ PLUG
2. RECOMMENDED PANEL THICKNESS 0.76 - 2.29.
3. PANEL MUST BE PUNCHED SO THAT THE HOUSING ENTERS THE PANEL IN THE SAME DIRECTION AS THE PUNCH.
4. OPTIONAL FOR KEYING HOUSING IN PANEL.
5. CIRCUIT NUMBER 1 LOCATION.
6. DIMENSIONS SHOWN REPRESENT PRODUCT IN DRY, AS MOLDED, CONDITION. ADDITIONAL 2% GROWTH DUE TO SUBSEQUENT MOISTURE ABSORPTION MAY OCCUR AND SHOULD BE ACCOUNTED FOR.
7. FOUR RIBS EQUALLY SPACED, NO SPECIFIC ORIENTATION. NO RIBS OR SIX RIBS EQUALLY SPACED, NO SPECIFIC ORIENTATION, OPTIONAL.
8. FOR FOREIGN PRODUCTION ONLY.
9. UNDERWRITERS RECOGNIZED COMPONENT LOGO AND CSA CERTIFICATION LOGO TO BE LOCATED ONCE EACH ON SIDE OF HOUSING.
10. TRADEMARK LOCATION: AMP OR TE



DETAIL A
OPTIONAL CONSTRUCTIONS



RECOMMENDED PANEL CUT OUT



COLOR	MATERIAL	PART NUMBER
BLACK	NYLON UL94V-0	1-350767-9
OBSOLETE GRAY	NYLON UL94V-0	1-350767-8
OBSOLETE BLUE	NYLON UL94V-0	1-350767-6
OBSOLETE GREEN	NYLON UL94V-0	1-350767-5
OBSOLETE YELLOW	NYLON UL94V-0	1-350767-4
OBSOLETE ORANGE	NYLON UL94V-0	1-350767-3
OBSOLETE RED	NYLON UL94V-0	1-350767-2
OBSOLETE BROWN	NYLON UL94V-0	1-350767-1
OBSOLETE NATURAL	NYLON UL94V-0	350767-2
NATURAL	NYLON UL94V-0	350767-1

THIS DRAWING IS A CONTROLLED DOCUMENT.

DWN: B. WEAVER 01MAY2019
 CHK: S. FERNANDES 01MAY2019
 APVD: T. BENCHOFF 01MAY2019

DIMENSIONS: mm
 TOLERANCES UNLESS OTHERWISE SPECIFIED:
 0 PLC ±
 2 PLC ±
 3 PLC ±0.13
 4 PLC ±
 ANGLES ±40°/30°
 FINISH

PRODUCT SPEC: 108-1031
 APPLICATION SPEC: 114-1010
 WEIGHT: -
 CUSTOMER DRAWING

NAME: CAP, 3 CIRCUIT, UNIVERSAL MATE-N-LOCK
 SIZE: A1
 CAGE CODE: 00779
 DRAWING NO: 350767
 SCALE: 4:1
 SHEET: 1 OF 1
 REV: Z

TE Connectivity

X-ON Electronics

Largest Supplier of Electrical and Electronic Components

Click to view similar products for [Pin & Socket Connectors](#) category:

Click to view products by [TE Connectivity](#) manufacturer:

Other Similar products are found below :

[6450822-1](#) [770392-1](#) [794042-1](#) [796885-1](#) [8-794535-1](#) [PLR3455ACS-222](#) [R929991004](#) [R929993003](#) [1403611-1](#) [1-480349-5](#) [152302-5](#)
[153211-2](#) [1586092-1](#) [1586129-1](#) [1586681-4](#) [1586700-1](#) [1586368-1](#) [1586380-1](#) [1586616-1](#) [1586680-5](#) [16-06-0038](#) [164164-5](#) [1-6609930-1](#)
[172296-1](#) [19-09-2035](#) [200503-1](#) [200788-2](#) [2029090-4](#) [2029095-4](#) [925061-7](#) [293734-4](#) [293737-2](#) [1-765362-4](#) [1-794606-3](#) [1871534-1](#)
[200833-4](#) [2008625-2](#) [2029027-2](#) [2029096-4](#) [R929991000](#) [R929991002](#) [R929993000](#) [319-10-101-00-005000](#) [319-10-102-00-001000](#)
[319-10-104-00-001000](#) [319-10-105-00-001000](#) [319-10-108-00-001000](#) [319-10-112-00-006000](#) [39-01-8019](#) [319-10-101-00-001000](#)