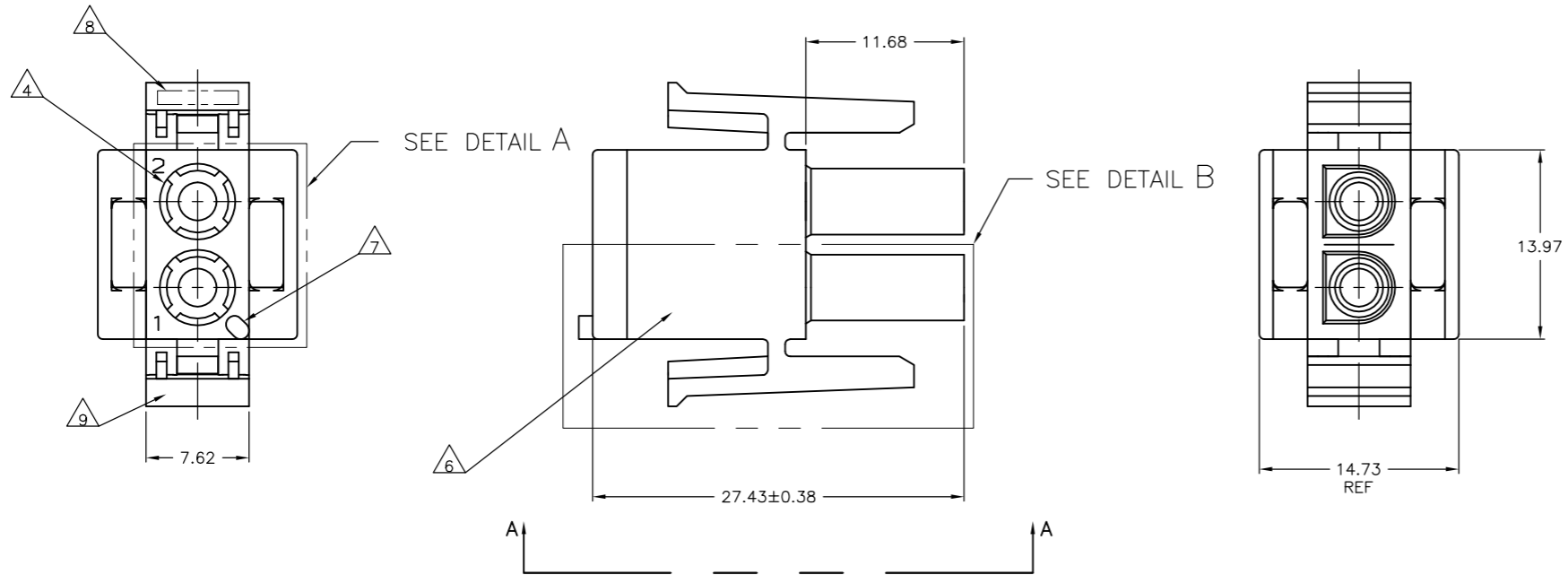


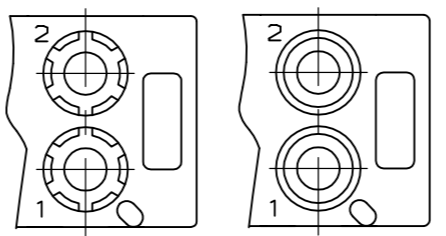
REVISIONS				
P	LTR	DESCRIPTION	DATE	OWN
AD2		REVISED PER ECR-17-018148	13DEC2017	SC BH



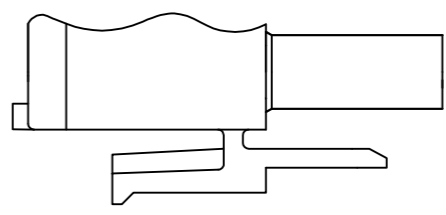
- MATES WITH APPROPRIATE UNIVERSAL MATE-N-LOK™ CAP OR HEADER.
 - SMALL NICKS ARE PERMITTED ON THE CIRCUIT TOWERS WHICH COULD INCREASE THE INITIAL HOUSING MATING FORCE BY UP TO 4.4 NEWTONS [1.0] LBS. NO INDIVIDUAL NICKED TOWER SHALL INCREASE THIS FORCE BY OVER 2.2 NEWTONS [.5] LBS.
 - DIMENSIONS SHOWN REPRESENT PRODUCT IN DRY, AS MOLDED, CONDITION. ADDITIONAL 2% GROWTH DUE TO SUBSEQUENT MOISTURE ABSORPTION MAY OCCUR AND SHOULD BE ACCOUNTED FOR.
- △4 FOUR RIBS EQUALLY SPACED, NO SPECIFIC ORIENTATION, NO RIBS OR SIX RIBS EQUALLY SPACED, NO SPECIFIC ORIENTATION, OPTIONAL.
 - △5 NOT MANUFACTURED IN U.S.
 - △6 UNDERWRITERS RECOGNIZED COMPONENT LOGO AND CSA CERTIFICATION LOGO TO BE LOCATED ONCE ON ANY SIDE OF HOUSING.
 - △7 POSITION #1 LOCATOR FEATURE MAY BE ROUND OR OBLONG (AS DEPICTED).
 - △8 TRADEMARK LOCATION (AMP OR TE CONNECTIVITY) SHOWN FOR CONVENIENCE, LOGO MAY BE ON ANY EXTERNAL SURFACE.
 - △9 MANUFACTURING LOCATION ID (OPTIONAL).
 - △10 MATERIAL: PA66, UL94 V-0, GWIT 775°C



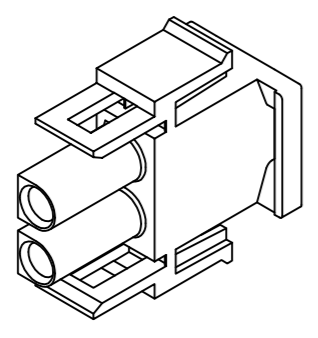
VIEW A-A
350777-4 ONLY



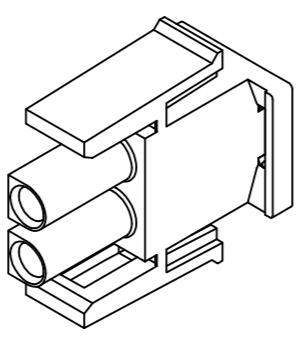
DETAIL A
OPTIONAL CONSTRUCTION



DETAIL B
350777-4 ONLY



350777-4 3-DIMENSIONAL MODEL
NTS



3-DIMENSIONAL MODEL
NTS

MM	IN
27.43	1.080
14.73	.580
13.97	.550
11.68	.460
7.62	.300
0.38	.015
0.13	.005
MM	IN

CONVERSION TABLE

△10	NATURAL	2-350777-1
	BLACK	1-350777-9
	GRAY	1-350777-8
	BLUE	1-350777-6
	GREEN	1-350777-5
	YELLOW	1-350777-4
	ORANGE	1-350777-3
	RED	1-350777-2
	BROWN	1-350777-1
△5		350777-4
	NATURAL	350777-1
	COLOR	PART NUMBER

THIS DRAWING IS A CONTROLLED DOCUMENT.

DIMENSIONS:	TOLERANCES UNLESS OTHERWISE SPECIFIED:	DWN: R. VESTAL 24JAN95	CHK: R. SWING 24JAN95	NAME: PLUG, 2 CIRCUIT, UNIVERSAL MATE-N-LOK(TM)
mm	0 PLC ± - 1 PLC ± - 2 PLC ± 0.13 3 PLC ± - 4 PLC ± - ANGLES ± 0.30'	APP'D: D. SELF 24JAN95	PRODUCT SPEC: - APPLICATION SPEC: -	SIZE: A1 CAGE CODE: 00779 DRAWING NO: 350777
MATERIAL: NYLON	FINISH: -	WEIGHT: -	CUSTOMER DRAWING	RESTRICTED TO: -

SCALE: 4:1 SHEET 1 OF 1 REV AD2

X-ON Electronics

Largest Supplier of Electrical and Electronic Components

Click to view similar products for [Pin & Socket Connectors](#) category:

Click to view products by [TE Connectivity](#) manufacturer:

Other Similar products are found below :

[6450822-1](#) [770392-1](#) [794042-1](#) [796885-1](#) [8-794535-1](#) [PLR3455ACS-222](#) [R929991004](#) [R929993003](#) [1403611-1](#) [1-480349-5](#) [152302-5](#)
[153211-2](#) [1586092-1](#) [1586129-1](#) [1586681-4](#) [1586700-1](#) [1586368-1](#) [1586380-1](#) [1586616-1](#) [1586680-5](#) [16-06-0038](#) [164164-5](#) [1-6609930-1](#)
[172296-1](#) [19-09-2035](#) [200503-1](#) [200788-2](#) [2029090-4](#) [2029095-4](#) [925061-7](#) [293734-4](#) [293737-2](#) [1-765362-4](#) [1871534-1](#) [200833-4](#)
[2008625-2](#) [2029027-2](#) [2029096-4](#) [R929991000](#) [R929991002](#) [R929993000](#) [319-10-101-00-005000](#) [319-10-102-00-001000](#) [319-10-104-00-001000](#) [319-10-105-00-001000](#) [319-10-108-00-001000](#) [319-10-112-00-006000](#) [39-01-8019](#) [319-10-101-00-001000](#) [319-10-102-00-005000](#)