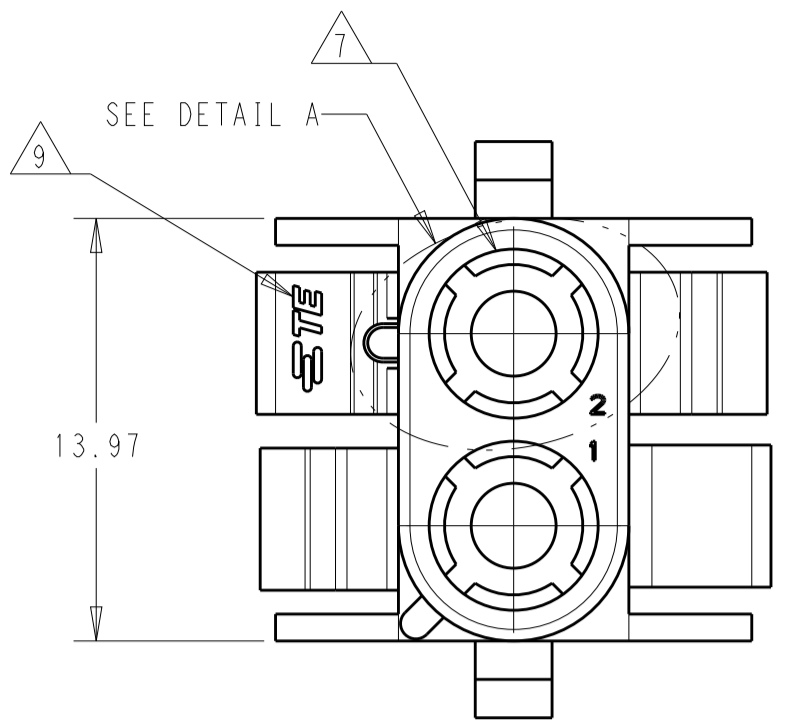
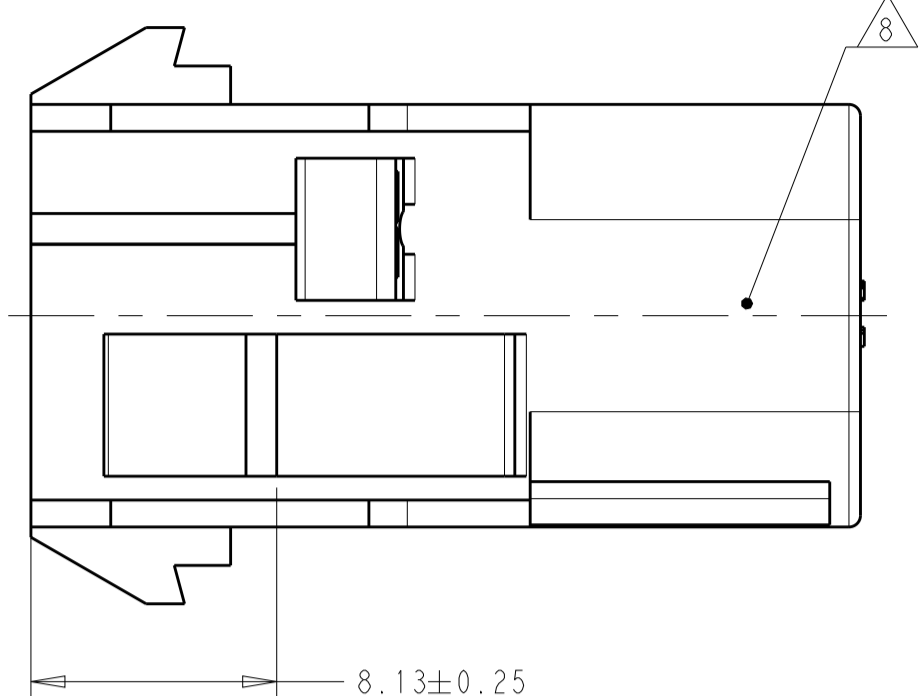
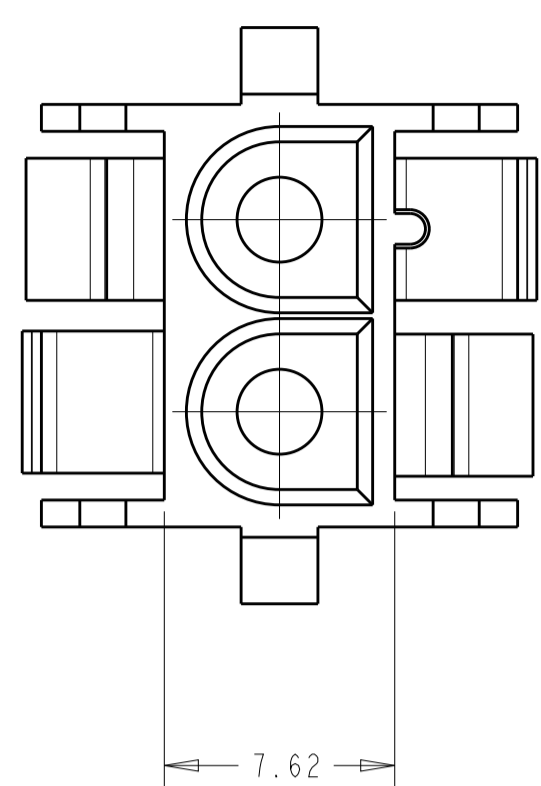
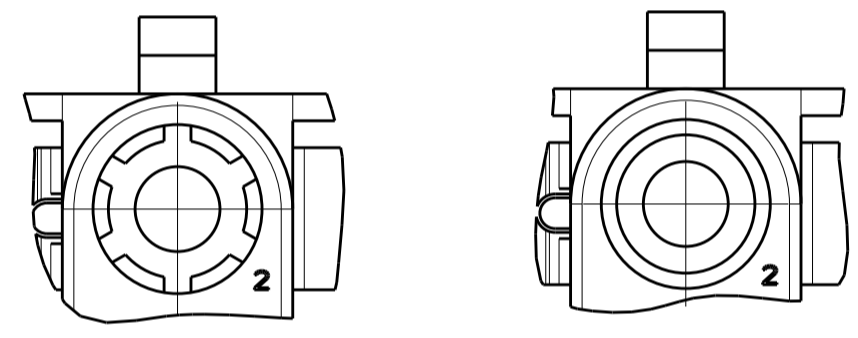


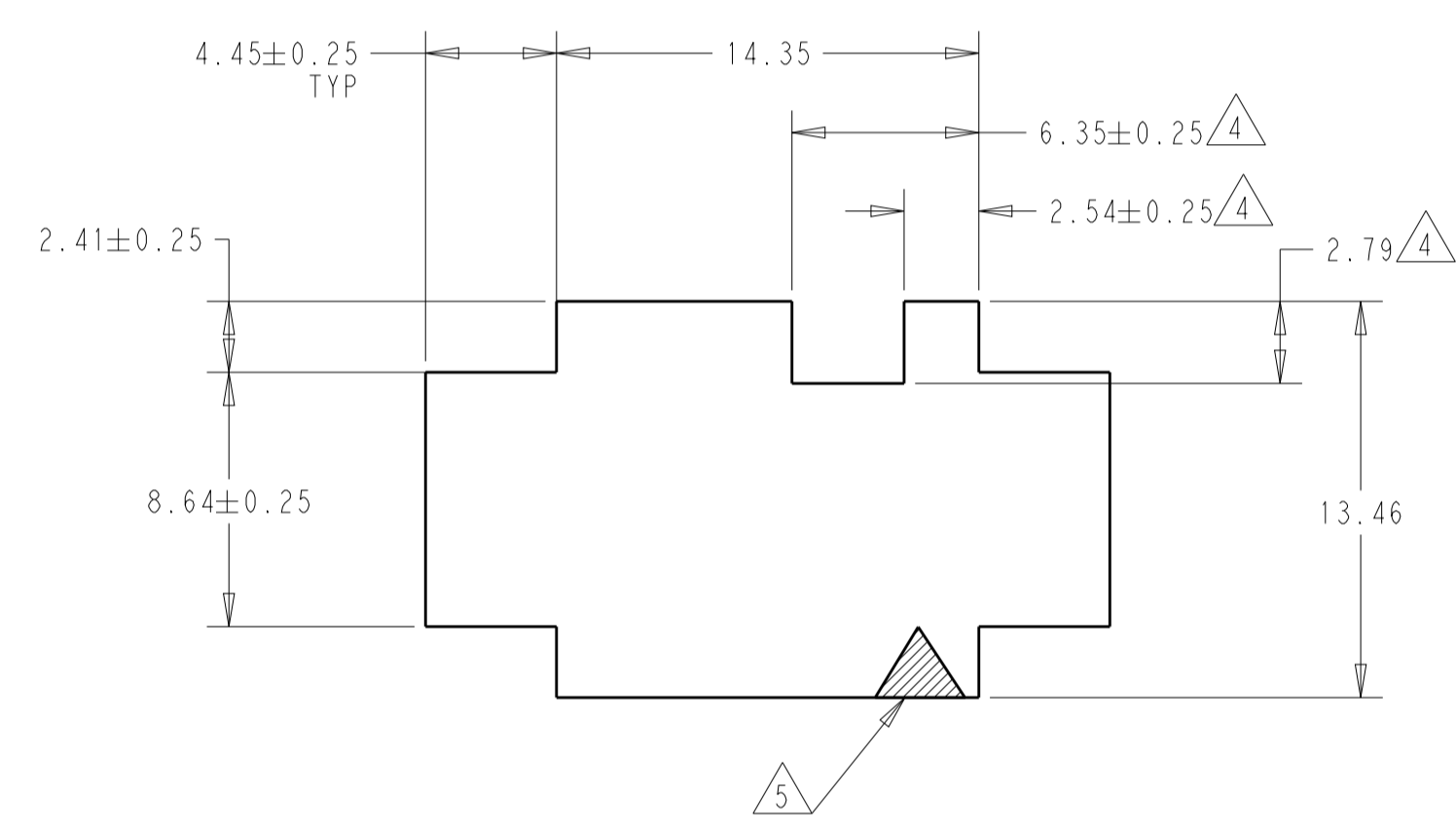
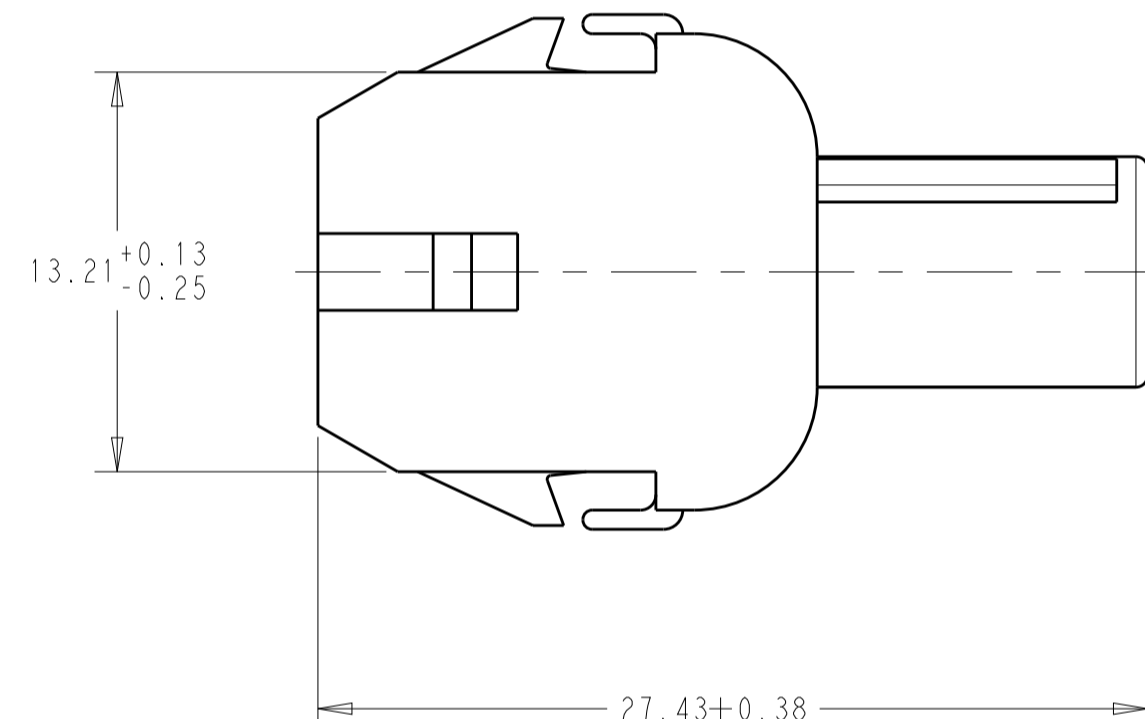
REVISIONS					
P.	LTN	DESCRIPTION	DATE	DWN	APVD
AG9		REDRAWN PER ECO-19-005708	02MAY2019	BKW	SF
W		REVISED PER ECO-20-006810	01JUN2020	BKW	SF



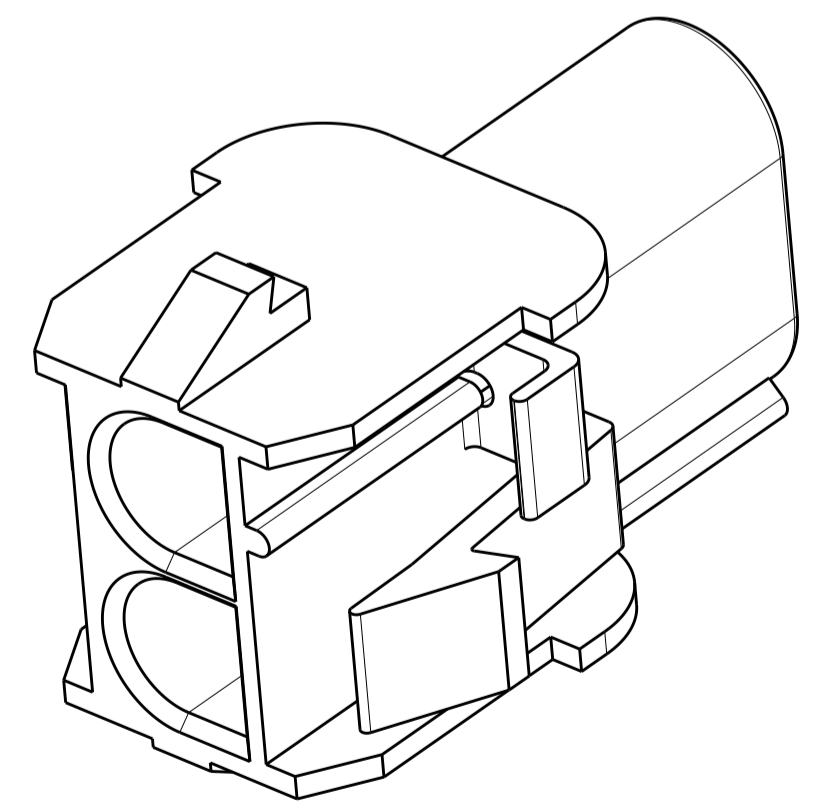
- MATES WITH APPROPRIATE UNIVERSAL MATE-N-LOCK™ PLUG
- RECOMMENDED PANEL THICKNESS 0.76 - 2.29.
- PANEL MUST BE PUNCHED SO THAT THE HOUSING ENTERS THE PANEL IN THE SAME DIRECTION AS THE PUNCH.
- OPTIONAL FOR KEYING HOUSING IN PANEL.
- CIRCUIT NUMBER 1 LOCATION.
- DIMENSIONS SHOWN REPRESENT PRODUCT IN DRY, AS MOLDED, CONDITION. ADDITIONAL 2% GROWTH DUE TO SUBSEQUENT MOISTURE ABSORPTION MAY OCCUR AND SHOULD BE ACCOUNTED FOR.
- FOUR RIBS EQUALLY SPACED, NO SPECIFIC ORIENTATION. NO RIBS OR SIX RIBS EQUALLY SPACED, NO SPECIFIC ORIENTATION, OPTIONAL.
- UNDERWRITERS RECOGNIZED COMPONENT LOGO AND CSA CERTIFICATION LOGO TO BE LOCATED ONCE EACH ON SIDE OF HOUSING.
- TRADEMARK LOCATION: AMP OR TE



DETAIL A
OPTIONAL CONSTRUCTIONS



RECOMMENDED PANEL CUTOUT



	BLACK	1-350778-9
OBSOLETE	GRAY	1-350778-8
OBSOLETE	BLUE	1-350778-6
OBSOLETE	GREEN	1-350778-5
OBSOLETE	YELLOW	1-350778-4
	ORANGE	1-350778-3
	RED	1-350778-2
	BROWN	1-350778-1
	NATURAL	350778-1
	COLOR	PART NUMBER

THIS DRAWING IS A CONTROLLED DOCUMENT.		DWN: B. WEAVER 02MAY2019	TE Connectivity
DIMENSIONS: mm		CHK: S. FERNANDES 02MAY2019	
TOLERANCES UNLESS OTHERWISE SPECIFIED:		APVD: T. BENCHOFF 02MAY2019	NAME: CAP, 2 CIRCUIT UNIVERSAL MATE-N-LOCK
0 PLC ±	1 PLC ±0.13	PRODUCT SPEC: 108-1031	SIZE: A
2 PLC ±	3 PLC ±	APPLICATION SPEC: 114-1010	CAGE CODE: 00779
4 PLC ±	ANGLES ±1°	WEIGHT: -	DRAWING NO: 350778
MATERIAL: NYLON UL94V-0	FINISH: -	CUSTOMER DRAWING	RESTRICTED TO: -
SCALE: 4:1			SHEET: 1 OF 1
REV: W			

X-ON Electronics

Largest Supplier of Electrical and Electronic Components

Click to view similar products for [Pin & Socket Connectors](#) category:

Click to view products by [TE Connectivity](#) manufacturer:

Other Similar products are found below :

[6450822-1](#) [770392-1](#) [794042-1](#) [796885-1](#) [8-794535-1](#) [PLR3455ACS-222](#) [R929991004](#) [R929993003](#) [1403611-1](#) [1-480349-5](#) [152302-5](#)
[153211-2](#) [1586092-1](#) [1586129-1](#) [1586681-4](#) [1586700-1](#) [1586368-1](#) [1586380-1](#) [1586616-1](#) [1586680-5](#) [16-06-0038](#) [164164-5](#) [1-6609930-1](#)
[172296-1](#) [19-09-2035](#) [200503-1](#) [200788-2](#) [2029090-4](#) [2029095-4](#) [925061-7](#) [293734-4](#) [293737-2](#) [1-765362-4](#) [1871534-1](#) [200833-4](#)
[2008625-2](#) [2029027-2](#) [2029096-4](#) [R929991000](#) [R929991002](#) [R929993000](#) [319-10-101-00-005000](#) [319-10-102-00-001000](#) [319-10-104-00-001000](#) [319-10-105-00-001000](#) [319-10-108-00-001000](#) [319-10-112-00-006000](#) [39-01-8019](#) [319-10-101-00-001000](#) [319-10-102-00-005000](#)