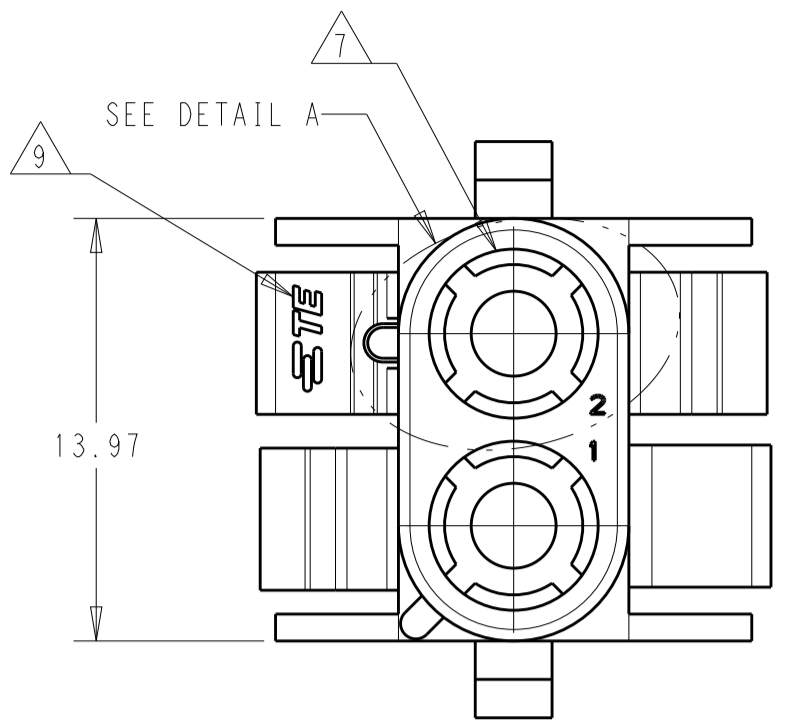
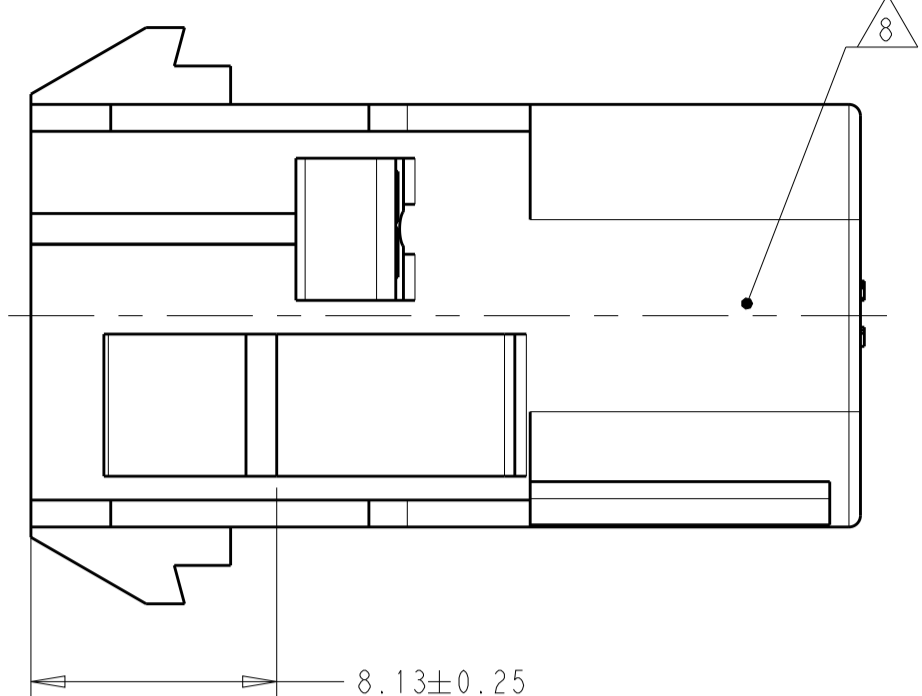
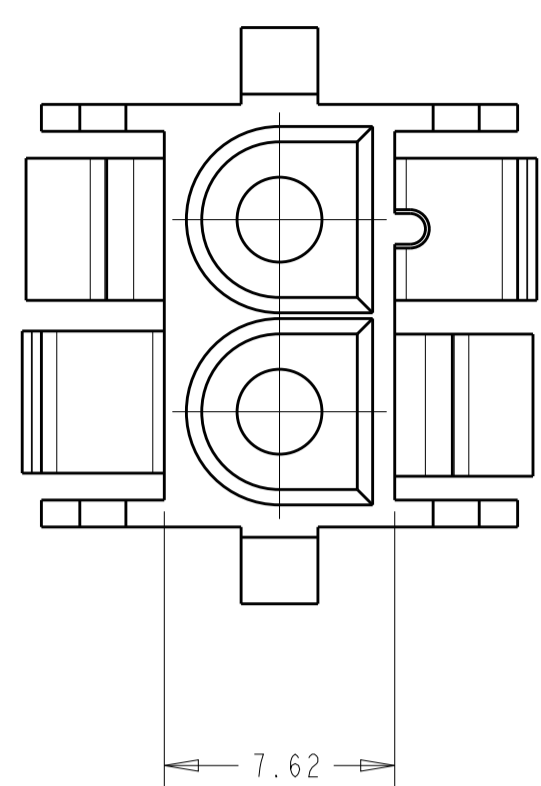
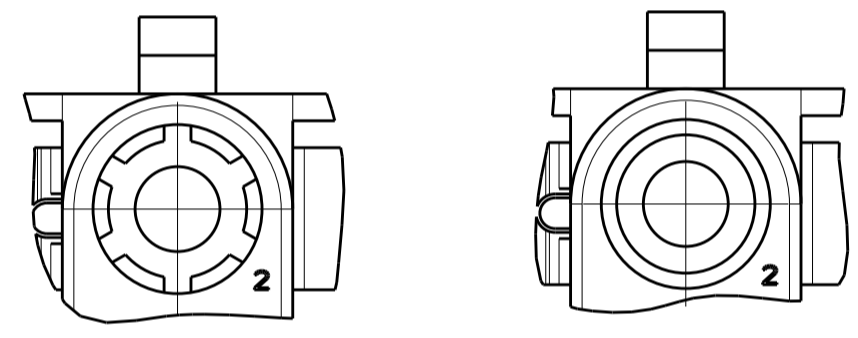


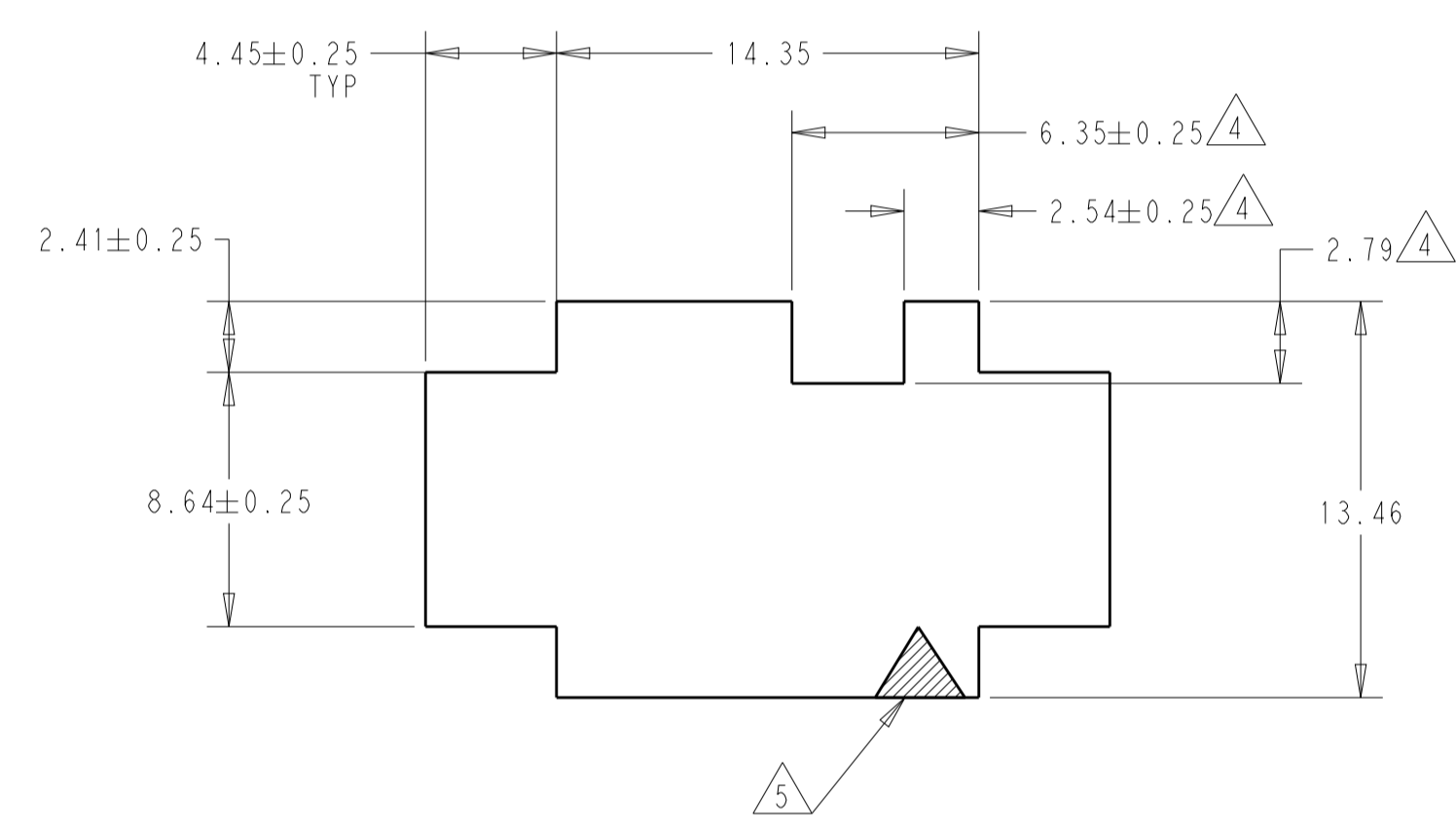
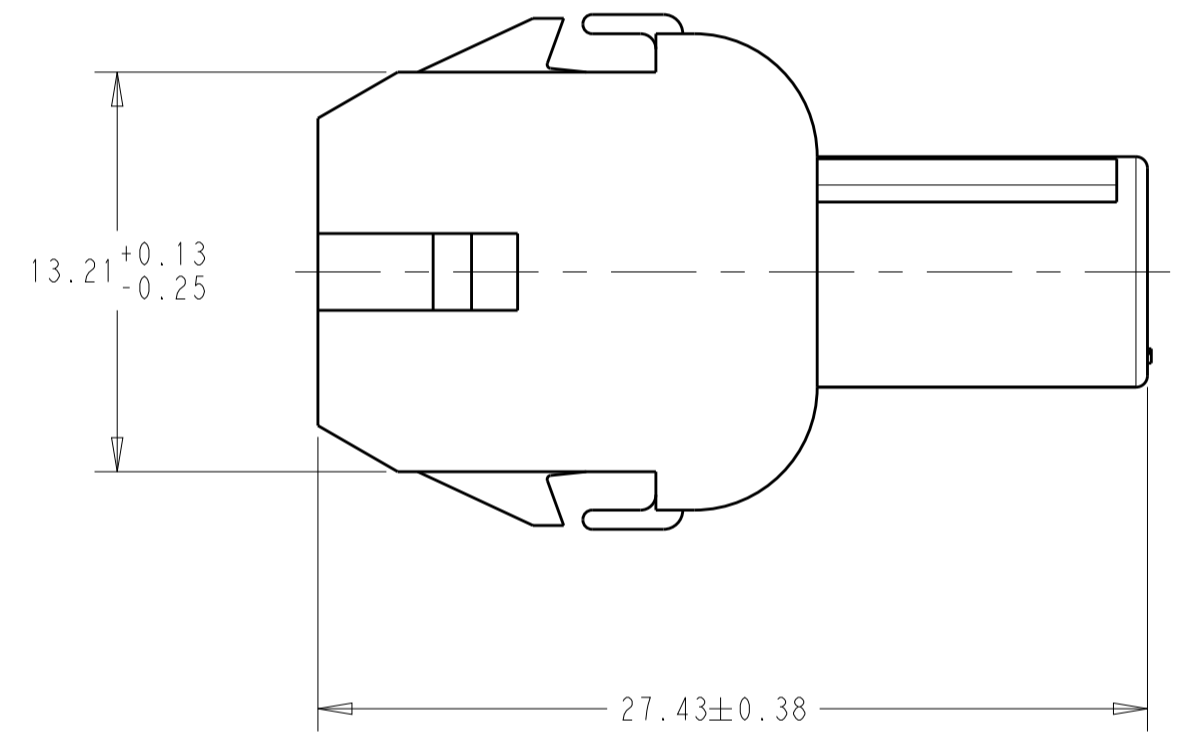
REVISIONS					
P.	LTN	DESCRIPTION	DATE	DWN	APVD
AG9		REDRAWN PER ECO-19-005708	02MAY2019	BKW	SF
W		REVISED PER ECO-20-006810	01JUN2020	BKW	SF



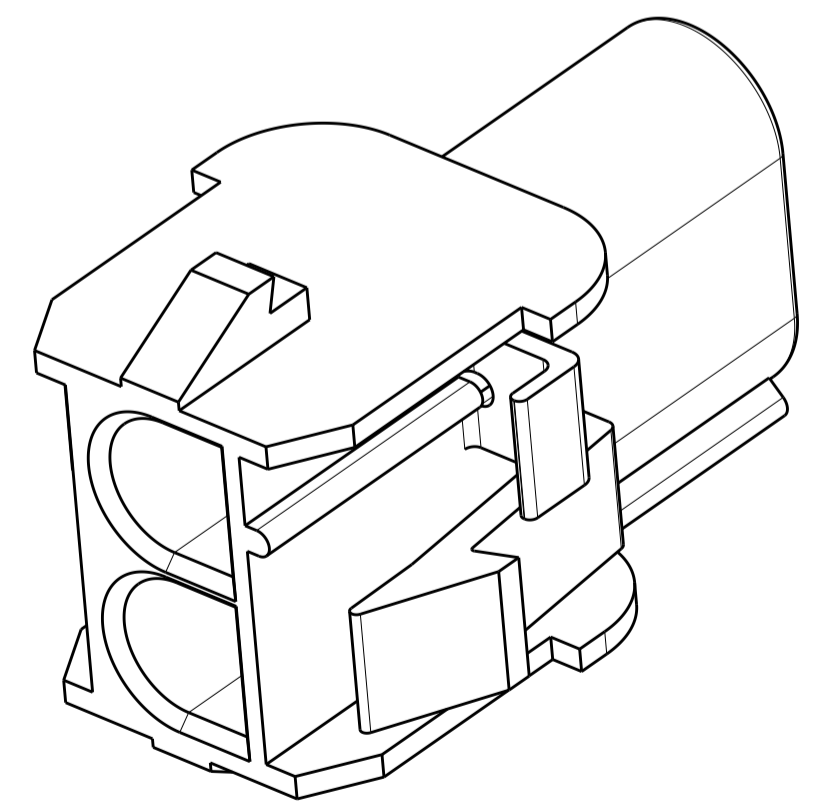
1. MATES WITH APPROPRIATE UNIVERSAL MATE-N-LOCK™ PLUG
2. RECOMMENDED PANEL THICKNESS 0.76 - 2.29.
3. PANEL MUST BE PUNCHED SO THAT THE HOUSING ENTERS THE PANEL IN THE SAME DIRECTION AS THE PUNCH.
4. OPTIONAL FOR KEYING HOUSING IN PANEL.
5. CIRCUIT NUMBER 1 LOCATION.
6. DIMENSIONS SHOWN REPRESENT PRODUCT IN DRY, AS MOLDED, CONDITION. ADDITIONAL 2% GROWTH DUE TO SUBSEQUENT MOISTURE ABSORPTION MAY OCCUR AND SHOULD BE ACCOUNTED FOR.
7. FOUR RIBS EQUALLY SPACED, NO SPECIFIC ORIENTATION. NO RIBS OR SIX RIBS EQUALLY SPACED, NO SPECIFIC ORIENTATION, OPTIONAL.
8. UNDERWRITERS RECOGNIZED COMPONENT LOGO AND CSA CERTIFICATION LOGO TO BE LOCATED ONCE EACH ON SIDE OF HOUSING.
9. TRADEMARK LOCATION: AMP OR TE



DETAIL A
OPTIONAL CONSTRUCTIONS



RECOMMENDED PANEL CUTOUT



	BLACK	1-350778-9
OBSOLETE	GRAY	1-350778-8
OBSOLETE	BLUE	1-350778-6
OBSOLETE	GREEN	1-350778-5
OBSOLETE	YELLOW	1-350778-4
	ORANGE	1-350778-3
	RED	1-350778-2
	BROWN	1-350778-1
	NATURAL	350778-1
	COLOR	PART NUMBER

THIS DRAWING IS A CONTROLLED DOCUMENT.		DWN: B. WEAVER 02MAY2019	TE Connectivity
DIMENSIONS: mm		CHK: S. FERNANDES 02MAY2019	
TOLERANCES UNLESS OTHERWISE SPECIFIED:		APVD: T. BENCHOFF 02MAY2019	NAME: CAP, 2 CIRCUIT UNIVERSAL MATE-N-LOCK
0 PLC ±	1 PLC ±0.13	PRODUCT SPEC: 108-1031	SIZE: A
2 PLC ±	3 PLC ±	APPLICATION SPEC: 114-1010	CAGE CODE: 00779
4 PLC ±	ANGLES ±1°	WEIGHT: -	DRAWING NO: 350778
MATERIAL: NYLON UL94V-0	FINISH: -	CUSTOMER DRAWING	RESTRICTED TO: -
SCALE: 4:1			SHEET: 1 OF 1
REV: W			

X-ON Electronics

Largest Supplier of Electrical and Electronic Components

Click to view similar products for [Pin & Socket Connectors](#) category:

Click to view products by [TE Connectivity](#) manufacturer:

Other Similar products are found below :

[6450822-1](#) [770392-1](#) [794042-1](#) [796885-1](#) [8-794535-1](#) [PLR3455ACS-222](#) [R929991004](#) [R929993003](#) [1403611-1](#) [1-480349-5](#) [152302-5](#)
[153211-2](#) [1586092-1](#) [1586129-1](#) [1586681-4](#) [1586700-1](#) [1586368-1](#) [1586380-1](#) [1586616-1](#) [1586680-5](#) [16-06-0038](#) [164164-5](#) [1-6609930-1](#)
[172296-1](#) [19-09-2035](#) [200503-1](#) [200788-2](#) [2029090-4](#) [2029095-4](#) [925061-7](#) [293734-4](#) [293737-2](#) [1-765362-4](#) [1871534-1](#) [200833-4](#)
[2008625-2](#) [2029027-2](#) [2029096-4](#) [R929991000](#) [R929991002](#) [R929993000](#) [319-10-101-00-005000](#) [319-10-102-00-001000](#) [319-10-104-00-001000](#) [319-10-105-00-001000](#) [319-10-108-00-001000](#) [319-10-112-00-006000](#) [39-01-8019](#) [319-10-101-00-001000](#) [319-10-102-00-005000](#)