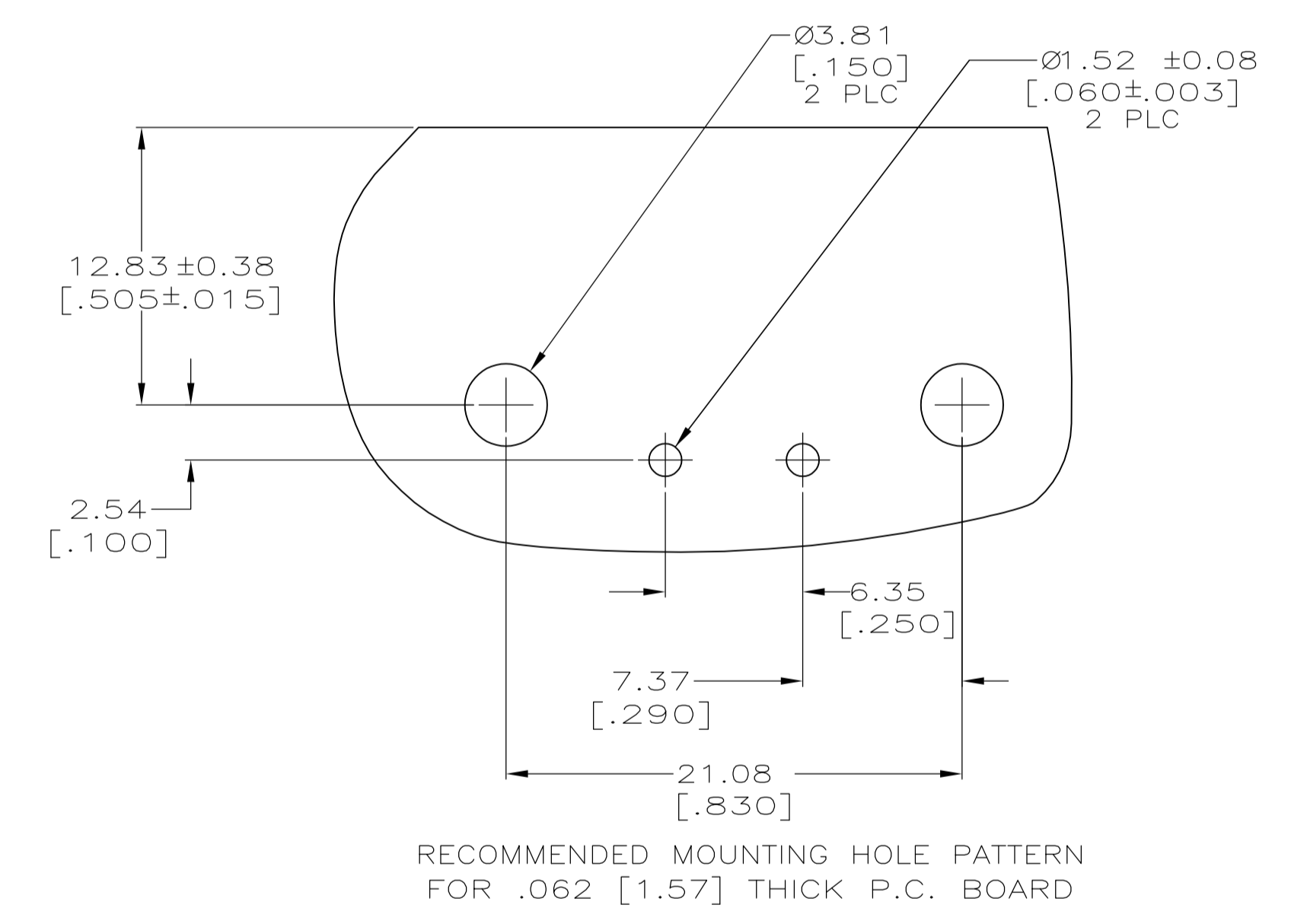
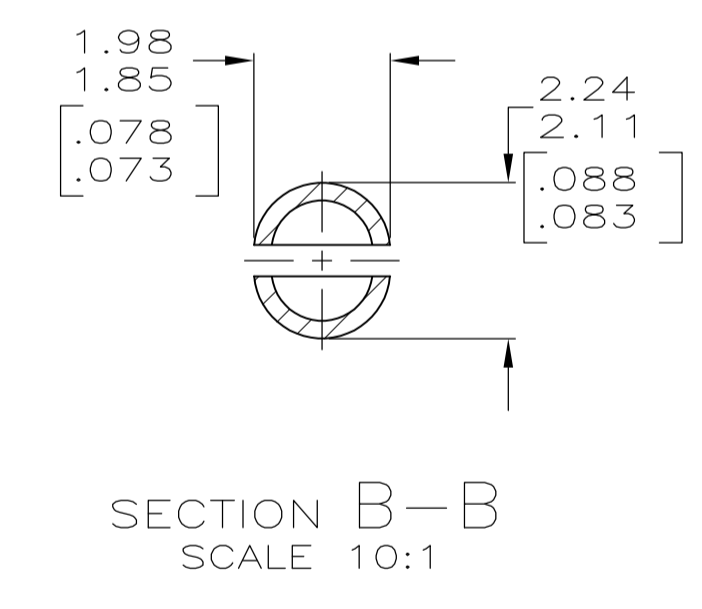
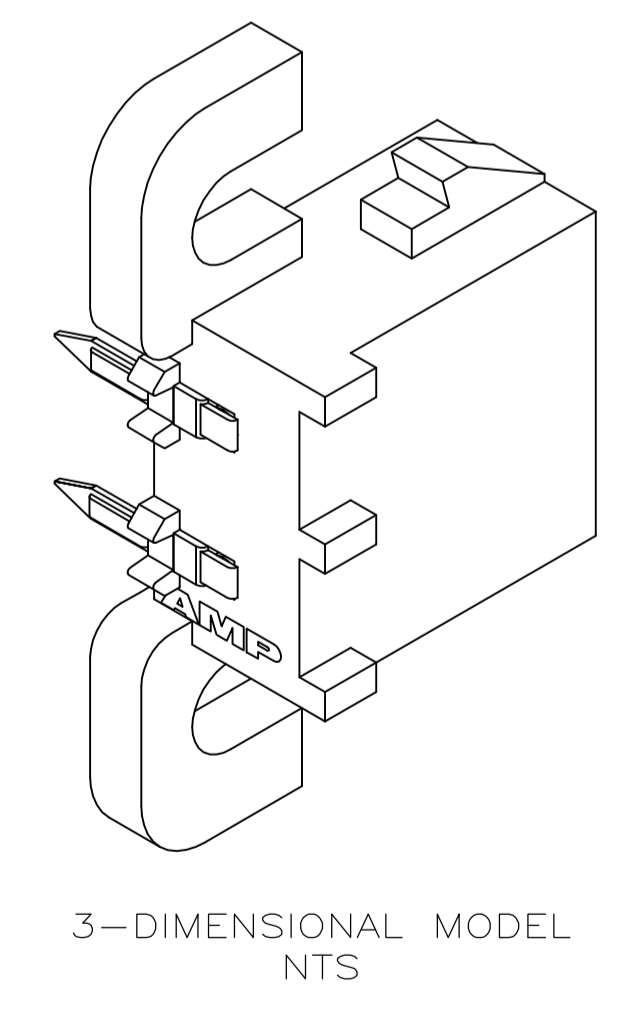
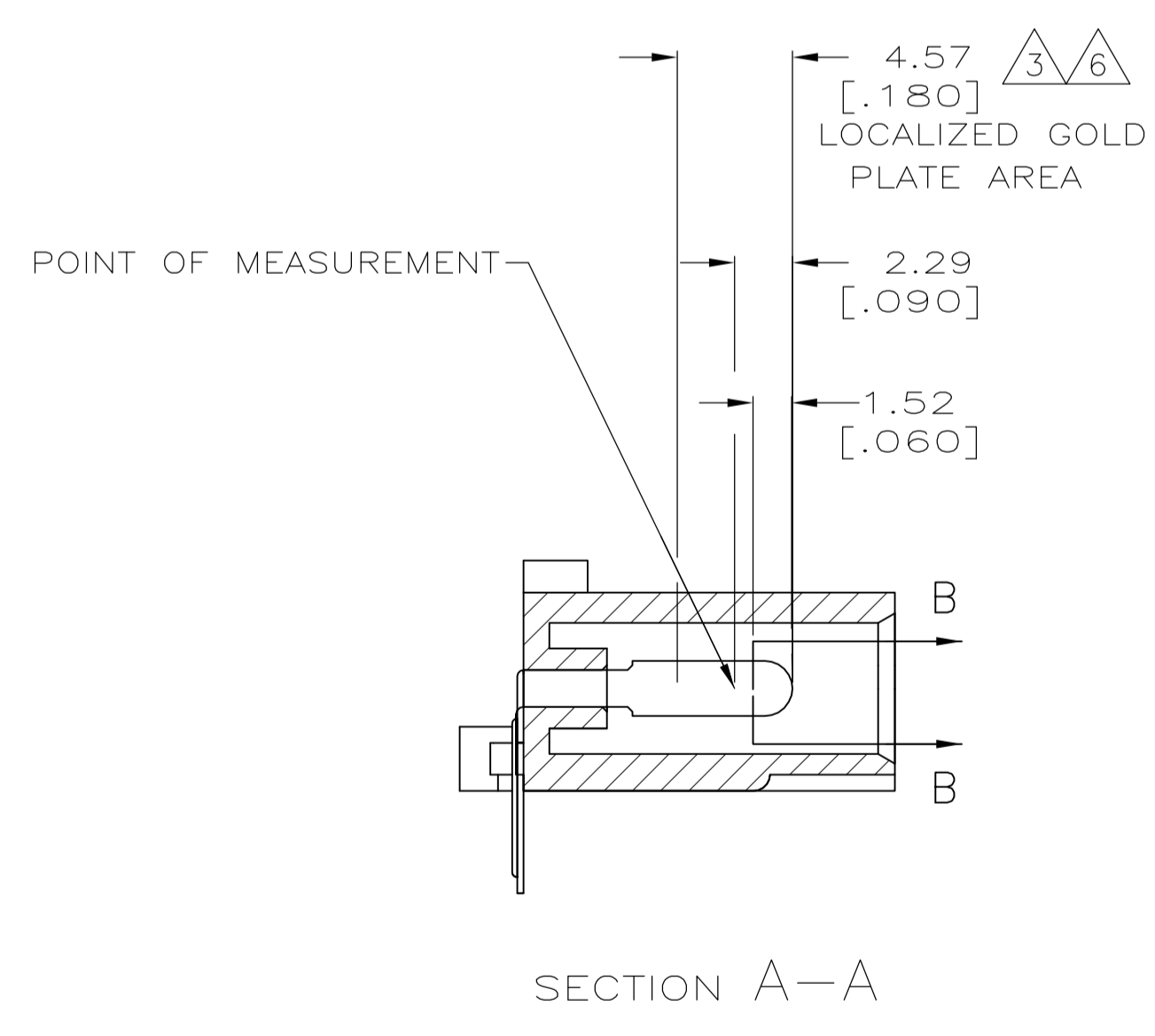
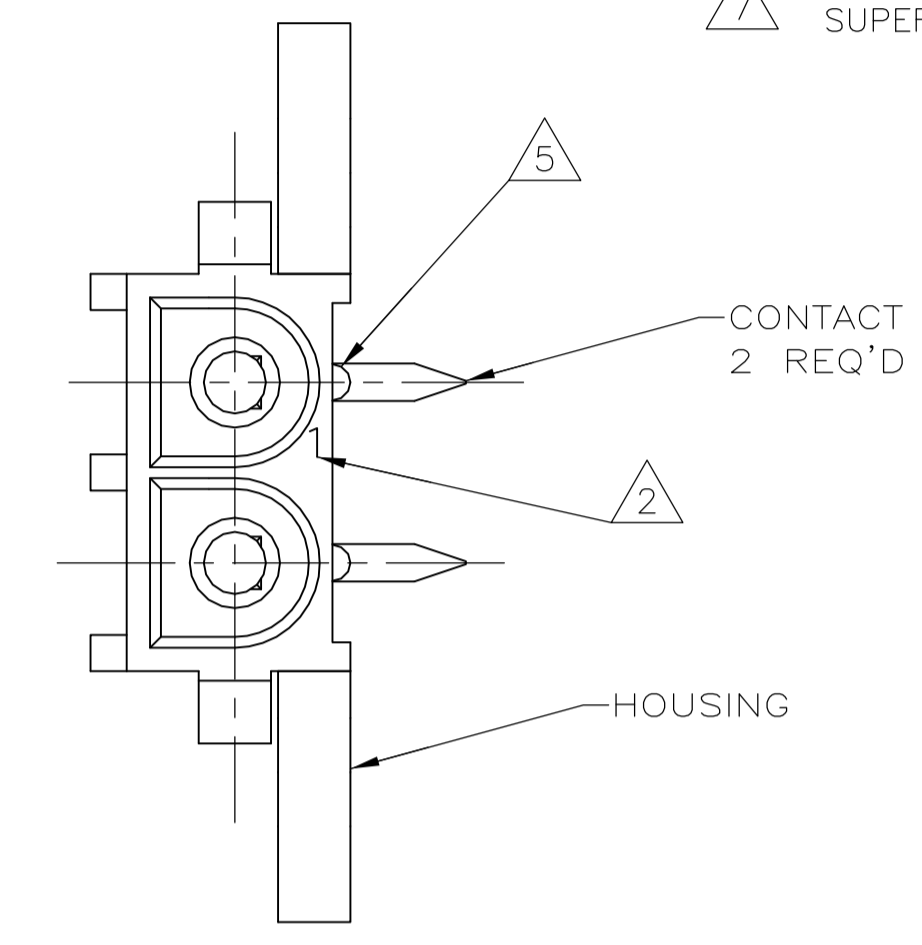
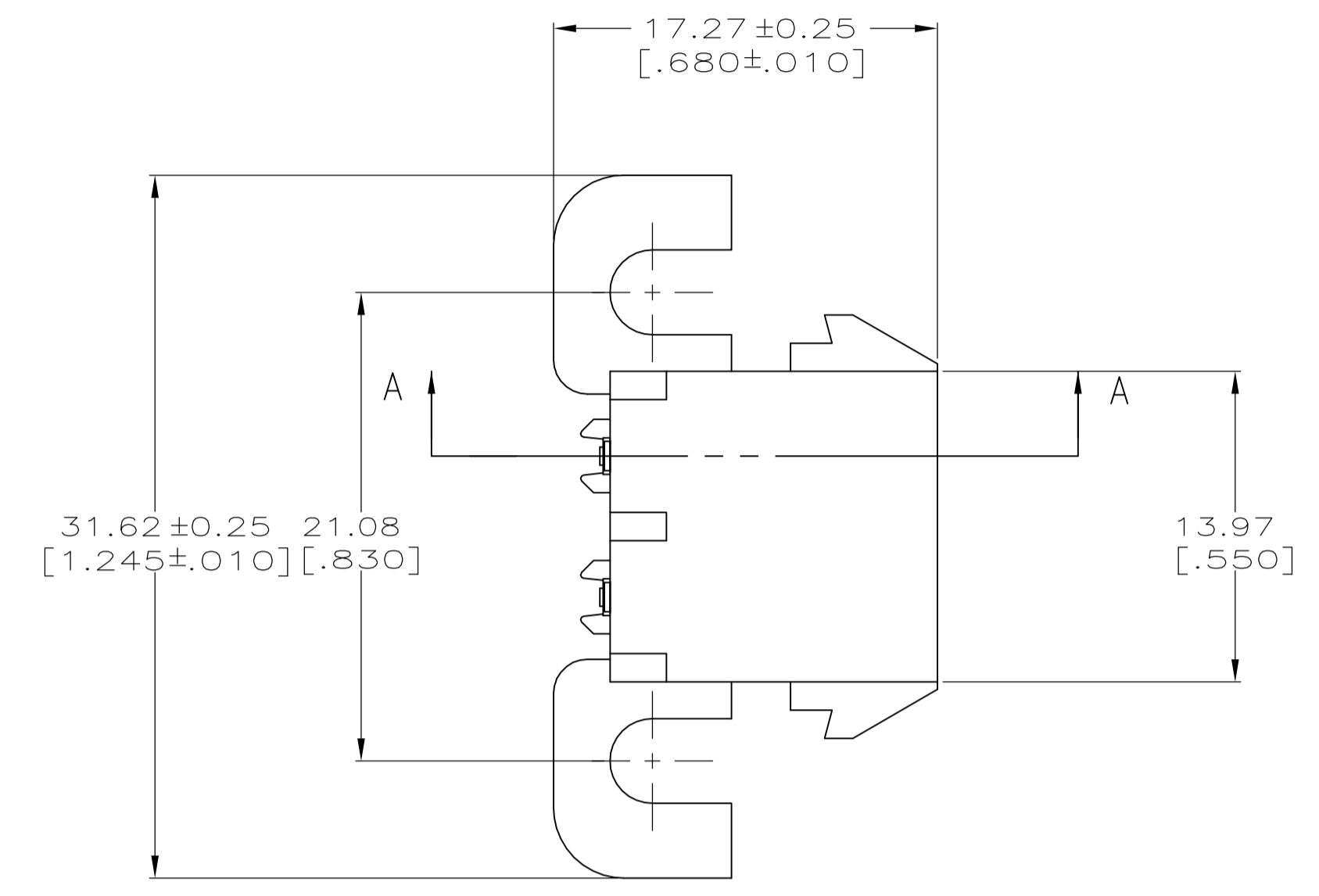
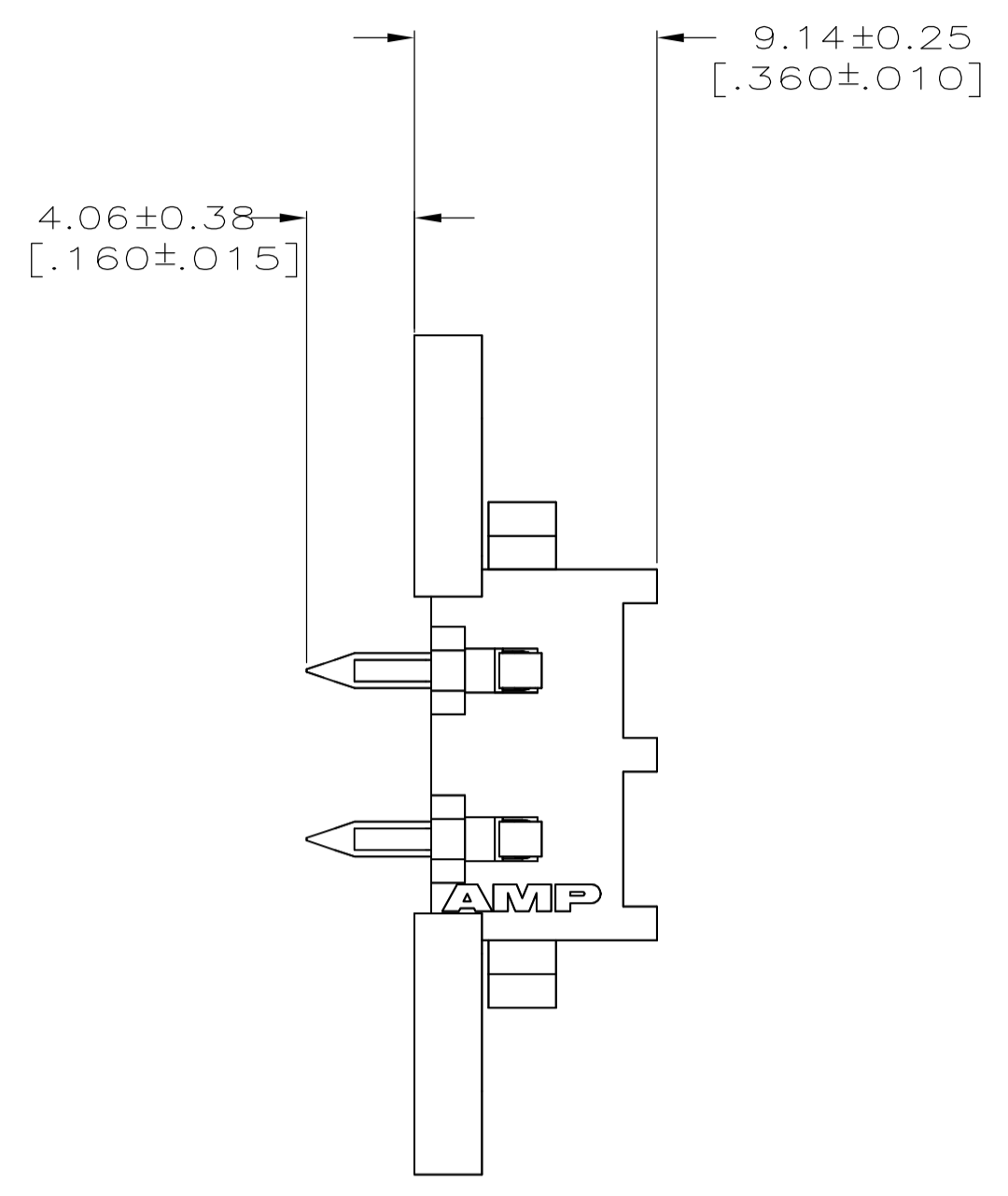


LOC		DIST		REVISIONS			
CM	00	REV	DATE	BY	CHK	APPV	
L2	REVISED PER ECR-12-011660		30JAN13	KH	TM		

- 1 PARTS COMPLY WITH AMP SOLDERABILITY SPECIFICATION 109-11-5.
- 2 CIRCUIT IDENTIFICATION CHARACTERS ARE ADJACENT TO THE INDICATED CAVITIES, BUT LOCATION AND ORIENTATION MAY DIFFER FROM PRINT.
- 3 CONTACT IS PLATED OVERALL WITH 0.00127 [.000050] MIN NICKEL, THEN 0.00076 [.000030] GOLD OVER CONTACT LENGTH INDICATED AND MATTE TIN LEAD FINISH ON SOLDER TAIL END.
- 4 DIMENSIONS IN BRACKETS ARE IN INCHES.
- 5 OPTIONAL CONSTRUCTION MAY DELETE THIS RIB.
- 6 CONTACT IS PLATED OVERALL WITH 0.00127 [.000050] MIN NICKEL, THEN 0.00076 [.000030] GOLD OVER CONTACT LENGTH INDICATED AND MATTE TIN FINISH ON SOLDER TAIL END.
- 7 SUPERSEDED BY 3-350942-0



PH BRZ GOLD	NYLON UL 94V-0	3-350942-0
PH BRZ GOLD	NYLON UL 94V-0	2-350942-0
PH BRZ TIN	NYLON UL 94V-0	1-350942-0
CONTACT	HOUSING	PART NO

THIS DRAWING IS A CONTROLLED DOCUMENT.

DIMENSIONS: mm [INCHES]	TOLERANCES UNLESS OTHERWISE SPECIFIED:	DWG: K. WHITAKER 22FEB2005	CHK: S. RIDGILL 22FEB2005	APVD: S. RIDGILL 22FEB2005	NAME: S. RIDGILL	SIZE: A1	SCALE: 4:1	SHEET: 1 OF 1	REV: L2
0 PLC ± -	1 PLC ± -	2 PLC ± -	3 PLC ± 0.13 [.005]	4 PLC ± -	ANGLES ± ± 0° 30'	WEIGHT: -	CAGE CODE: 350942	CUSTOMER DRAWING	RESTRICTED TO: -

STE TE Connectivity

PIN HEADER ASSEMBLY, RIGHT ANGLE MOUNT, 2 POSITION, UNIVERSAL MATE-N-LOK(TM)

## X-ON Electronics

Largest Supplier of Electrical and Electronic Components

*Click to view similar products for [Pin & Socket Connectors](#) category:*

*Click to view products by [TE Connectivity](#) manufacturer:*

Other Similar products are found below :

[6450822-1](#) [770392-1](#) [794042-1](#) [796885-1](#) [8-794535-1](#) [PLR3455ACS-222](#) [R929991004](#) [R929993003](#) [1403611-1](#) [1-480349-5](#) [152302-5](#)  
[153211-2](#) [1586092-1](#) [1586129-1](#) [1586681-4](#) [1586700-1](#) [1586368-1](#) [1586380-1](#) [1586616-1](#) [1586680-5](#) [16-06-0038](#) [164164-5](#) [1-6609930-1](#)  
[172296-1](#) [19-09-2035](#) [200503-1](#) [200788-2](#) [2029090-4](#) [2029095-4](#) [925061-7](#) [293734-4](#) [293737-2](#) [1-765362-4](#) [1871534-1](#) [200833-4](#)  
[2008625-2](#) [2029027-2](#) [2029096-4](#) [R929991000](#) [R929991002](#) [R929993000](#) [319-10-101-00-005000](#) [319-10-102-00-001000](#) [319-10-104-00-001000](#) [319-10-105-00-001000](#) [319-10-108-00-001000](#) [319-10-112-00-006000](#) [39-01-8019](#) [319-10-101-00-001000](#) [319-10-102-00-005000](#)