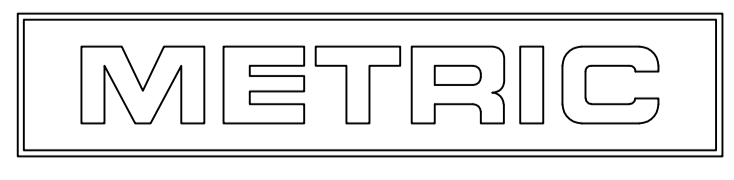
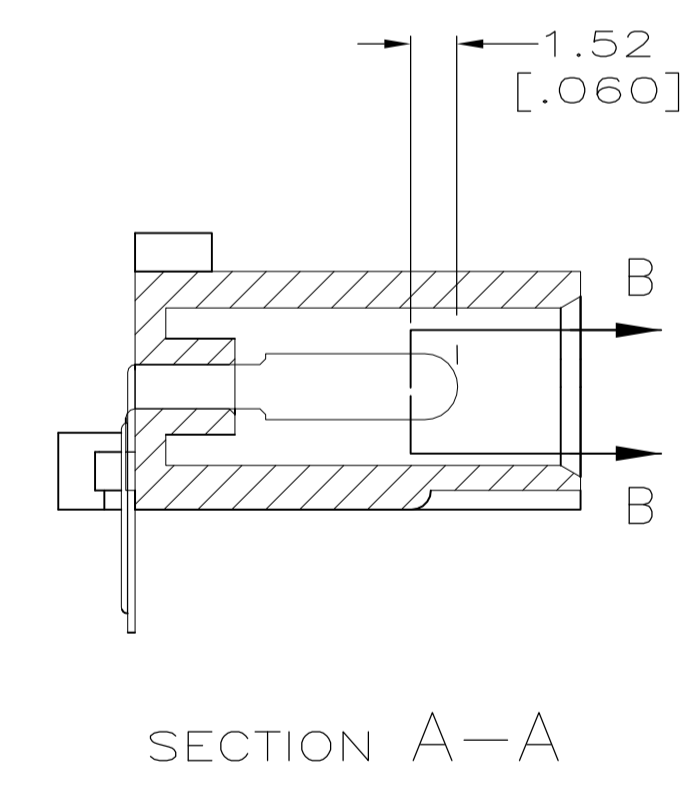
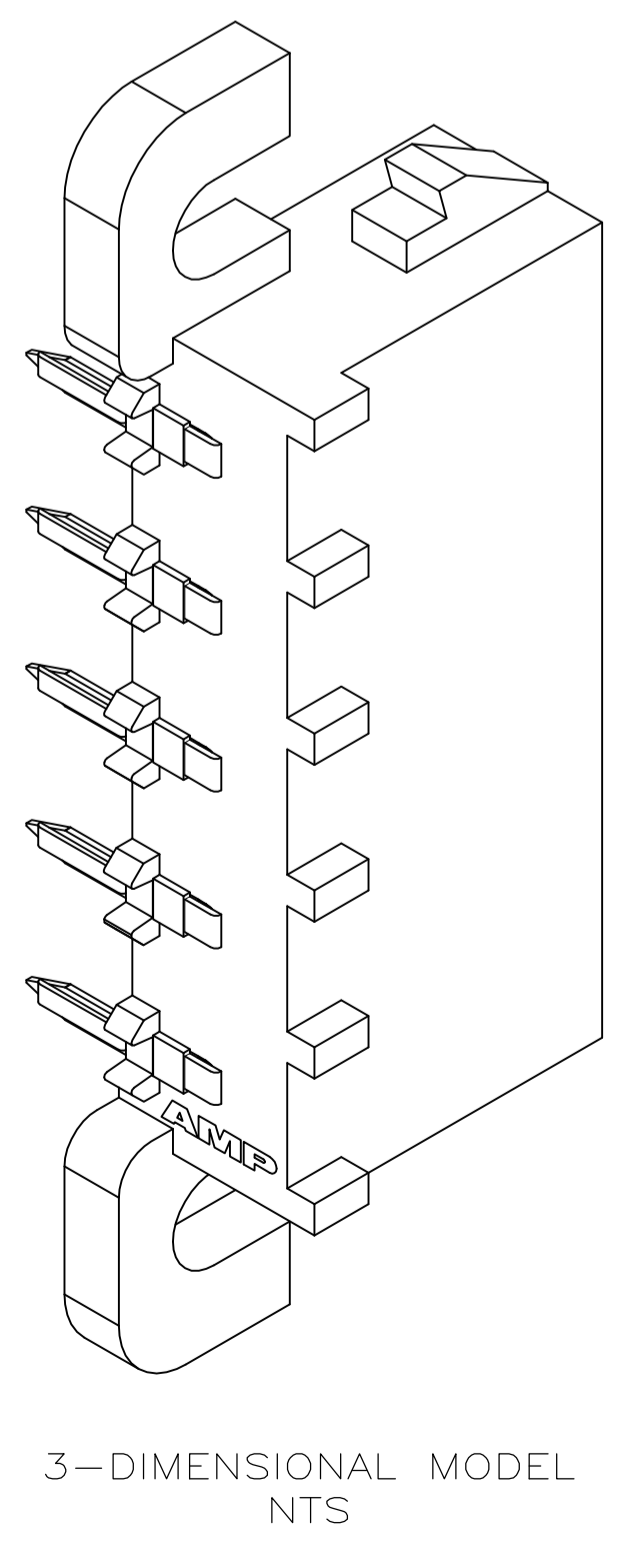
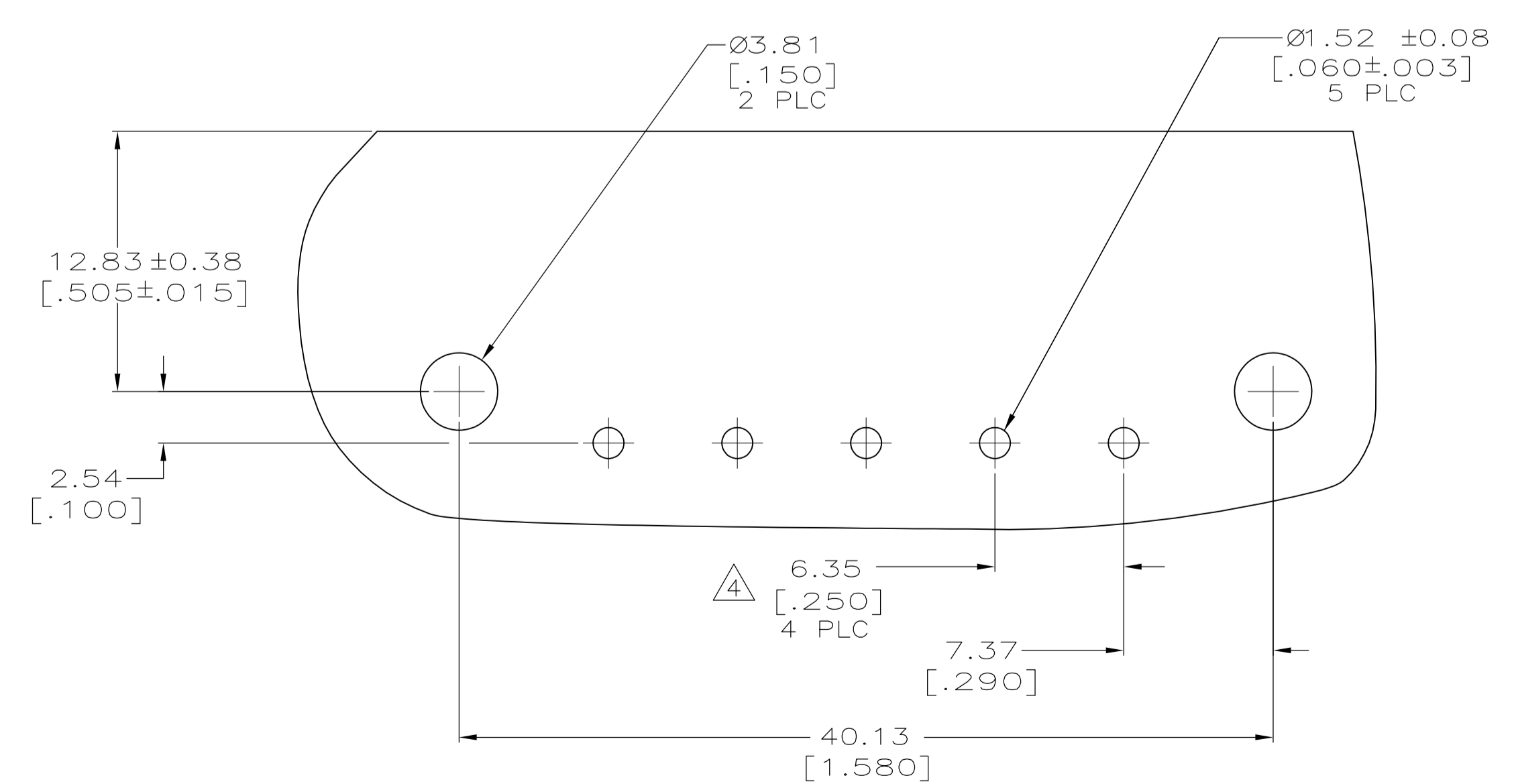
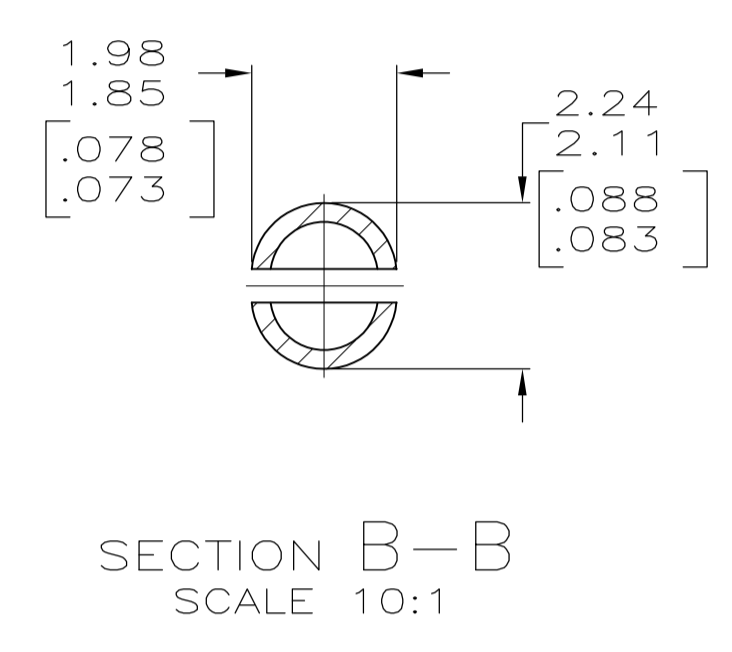
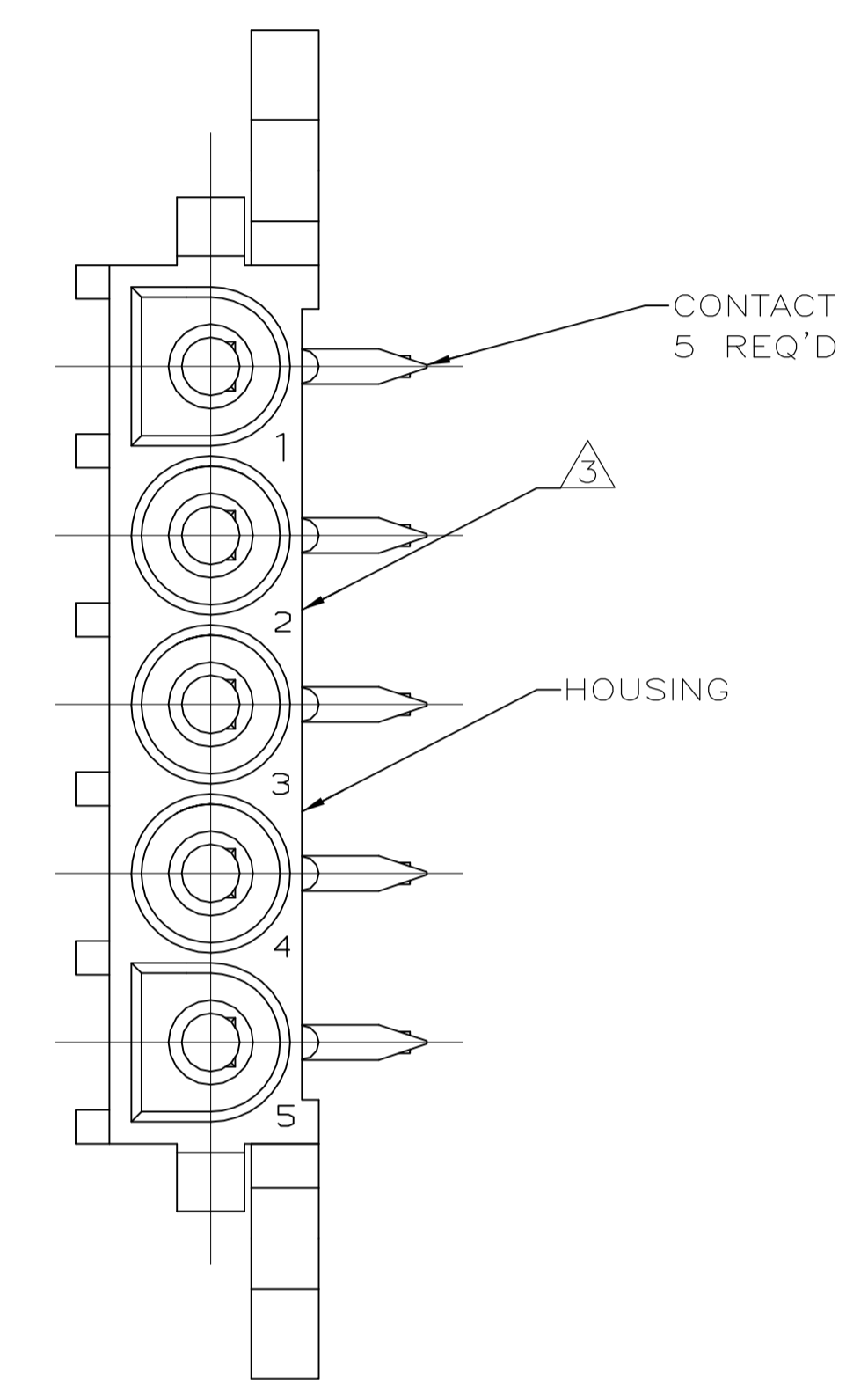
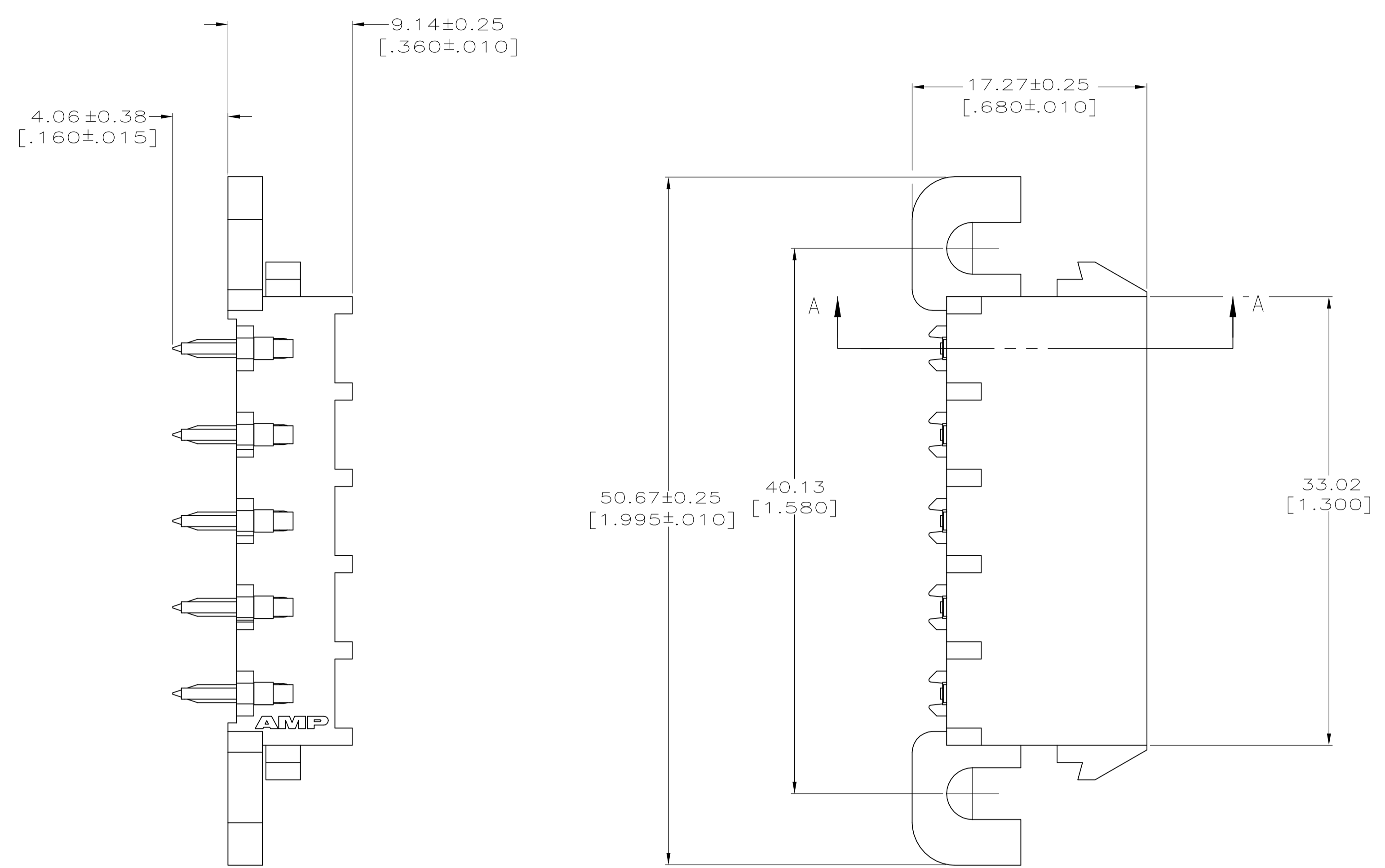


LOC		DIST		REVISIONS			
CM	53	P	LTR	DESCRIPTION	DATE	DMN	APVD
		N1		REV PER ECR 12-010593	12JUN12	JR	TM

- PARTS COMPLY WITH AMP SOLDERABILITY SPECIFICATION 109-11-5.
- DIMENSIONS IN BRACKETS ARE IN INCHES.
- CIRCUIT IDENTIFICATION CHARACTERS ARE ADJACENT TO THE INDICATED CAVITIES, BUT LOCATION AND ORIENTATION MAY DIFFER FROM PRINT
- TOLERANCE NON-CUMULATIVE.



PHOS BRONZE, PRE-TIN	NYLON, UL94V-2	1-350949-0
CONTACT MATL / PLATING	HOUSING-MATERIAL	PART NO.

THIS DRAWING IS A CONTROLLED DOCUMENT.		DIN K. SALMON 3-25-94	TE Connectivity
DIMENSIONS: MM [INCHES]		CHK R. SWING 3-25-94	
TOLERANCES UNLESS OTHERWISE SPECIFIED:		APVD D.SELF 3-25-94	NAME
0 PLC ± -			PRODUCT SPEC
1 PLC ± -			APPLICATION SPEC
2 PLC ± -			WEIGHT
3 PLC ± 0.13 [.005]			SIZE
4 PLC ± -			SCALE
ANGLES ± -			RESTRICTED TO
MATERIAL SEE TABLE		FINISH SEE TABLE	WEIGHT
CUSTOMER DRAWING		SCALE 4:1	SHEET 1 OF 1
		REV N1	

X-ON Electronics

Largest Supplier of Electrical and Electronic Components

Click to view similar products for [Pin & Socket Connectors](#) category:

Click to view products by [TE Connectivity](#) manufacturer:

Other Similar products are found below :

[6450822-1](#) [770392-1](#) [794042-1](#) [796885-1](#) [8-794535-1](#) [PLR3455ACS-222](#) [R929991004](#) [R929993003](#) [1403611-1](#) [1-480349-5](#) [152302-5](#)
[153211-2](#) [1586092-1](#) [1586129-1](#) [1586681-4](#) [1586700-1](#) [1586368-1](#) [1586380-1](#) [1586616-1](#) [1586680-5](#) [16-06-0038](#) [164164-5](#) [1-6609930-1](#)
[172296-1](#) [19-09-2035](#) [200503-1](#) [200788-2](#) [2029090-4](#) [2029095-4](#) [925061-7](#) [293734-4](#) [293737-2](#) [1-765362-4](#) [1871534-1](#) [200833-4](#)
[2008625-2](#) [2029027-2](#) [2029096-4](#) [R929991000](#) [R929991002](#) [R929993000](#) [319-10-101-00-005000](#) [319-10-102-00-001000](#) [319-10-104-00-001000](#) [319-10-105-00-001000](#) [319-10-108-00-001000](#) [319-10-112-00-006000](#) [39-01-8019](#) [319-10-101-00-001000](#) [319-10-102-00-005000](#)