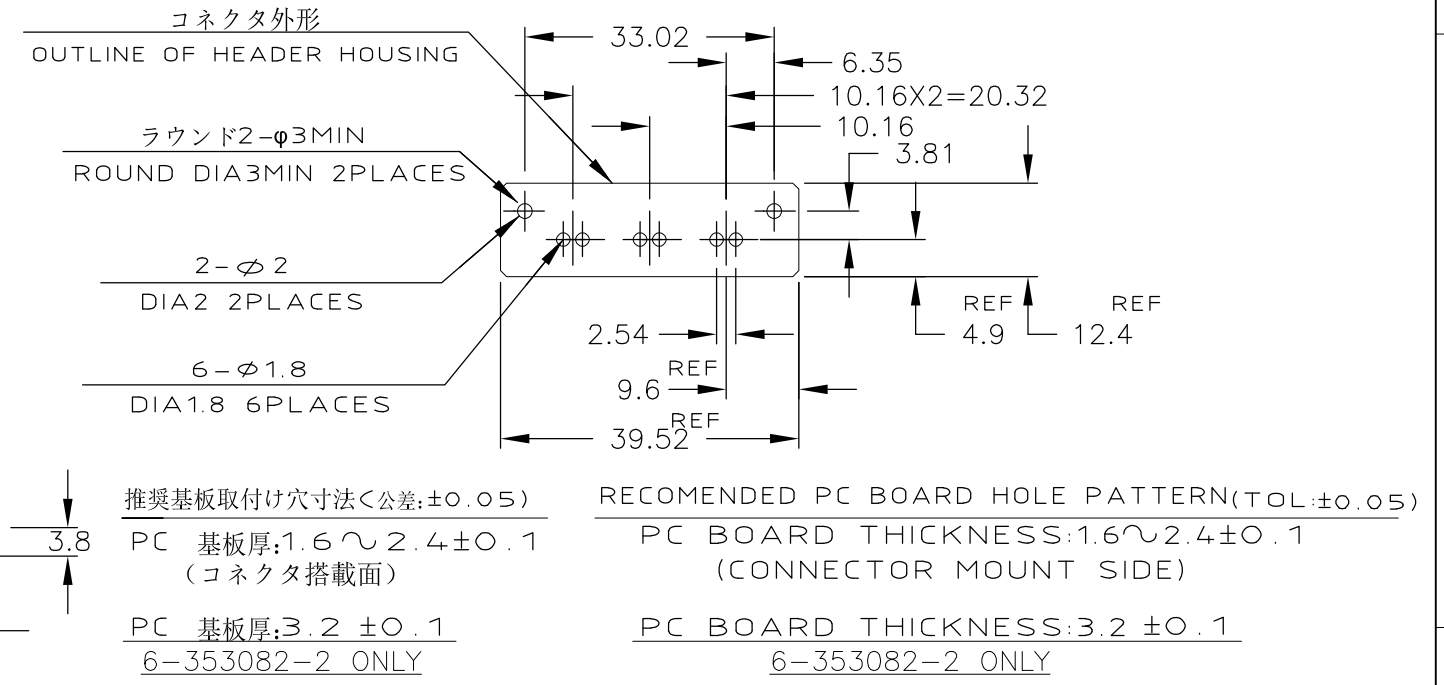
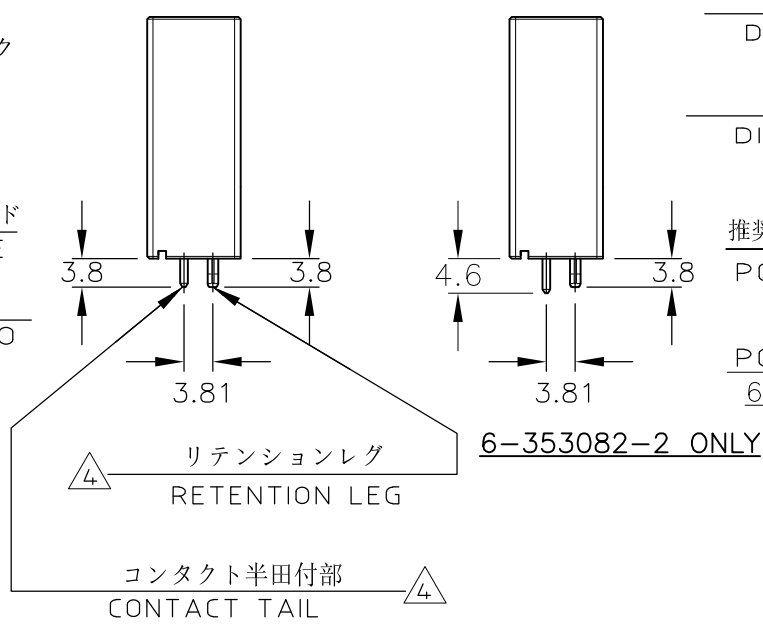
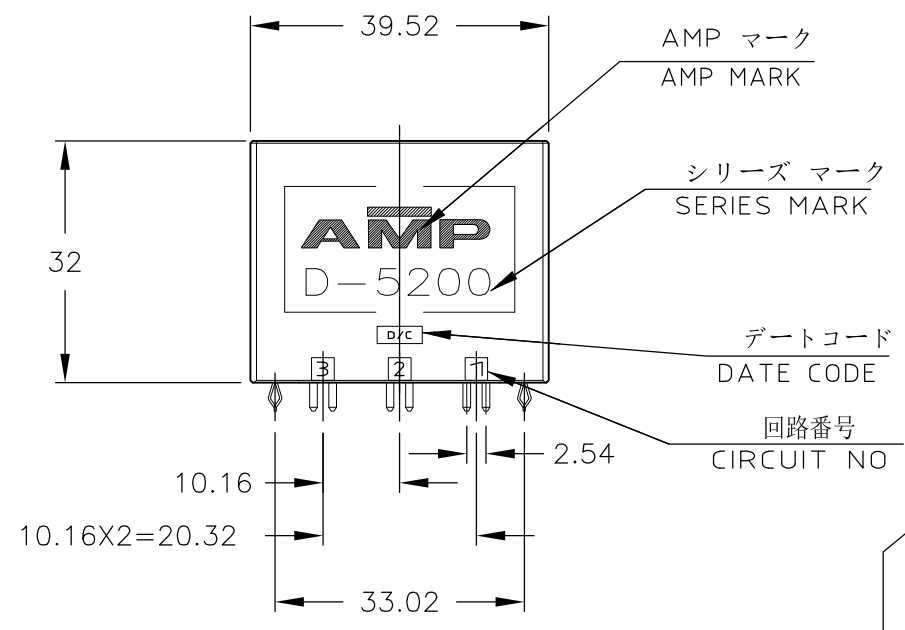
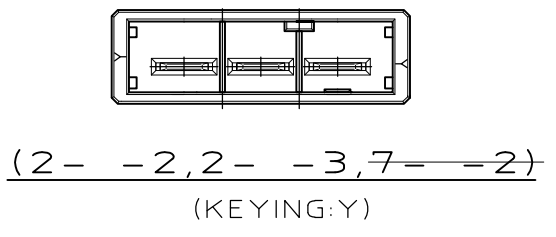
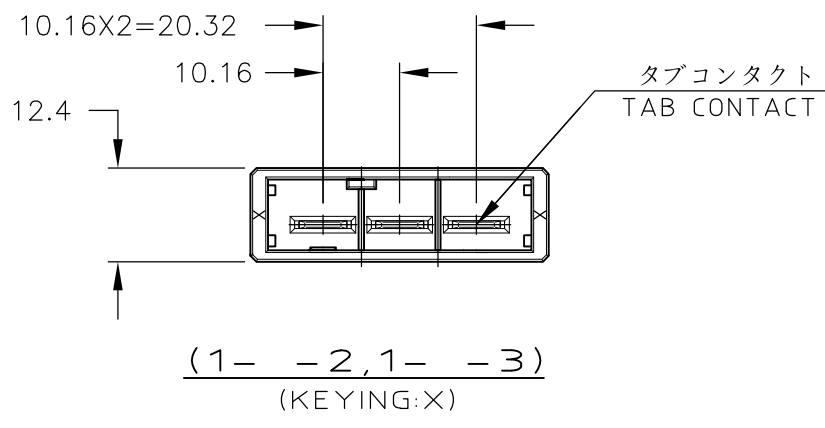


THIS DRAWING IS UNPUBLISHED. RELEASED FOR PUBLICATION
 © COPYRIGHT 1996 By Tyco Electronics Japan G.K. ALL RIGHTS RESERVED.

LOC	DIST	REVISIONS					
		P	LTR	DESCRIPTION	DATE	DWN	APVD
—	—		G	REVISED	23OCT2012	H.M	N.Y



NOTES

- MATERIAL:HOUSING:GLASS FILED THERMO PLASTIC ,POLYESTER(94V-0)
TAB CONTACT:COPPER ALLOY
RETENTION LEG:BRASS
- FINISH(CONTACT AREA):0.38μmMIN GOLD PLATING OVER Ni PLATING
- FINISH(CONTACT AREA):0.76μmMIN GOLD PLATING OVER Ni PLATING
- FINISH(RETENTION LEG): TIN PLATED (CONTACT TAIL) OVER NICKEL

注記

- 材料 ハウジング:ガラス入り熱可塑性ポリエステル樹脂(94V-0)
タブコンタクト:銅合金
リテンションレグ:黄銅
- めっき コンタクト全面Ni下地
接触部 0.38μm MIN金めっき
- めっき コンタクト全面Ni下地
接触部 0.76μm MIN金めっき
- めっき リテンションレグとコンタクト半田付部
: ニッケル下地の上にスズめっき

KEY TYPE	コンタクトのめっき (FINISH)	色 COLOR	製品番号 (PART NO.)	
Y	△4 △2	NATURAL	-7-353082-2	OBSOLETE
	△4 △3	BLACK	2-353082-3	
	△4 △2	BLACK	2-353082-2	
X	△4 △3	BLACK	1-353082-3	
	△4 △2	BLACK	6-353082-2	
	△4 △2	BLACK	1-353082-2	

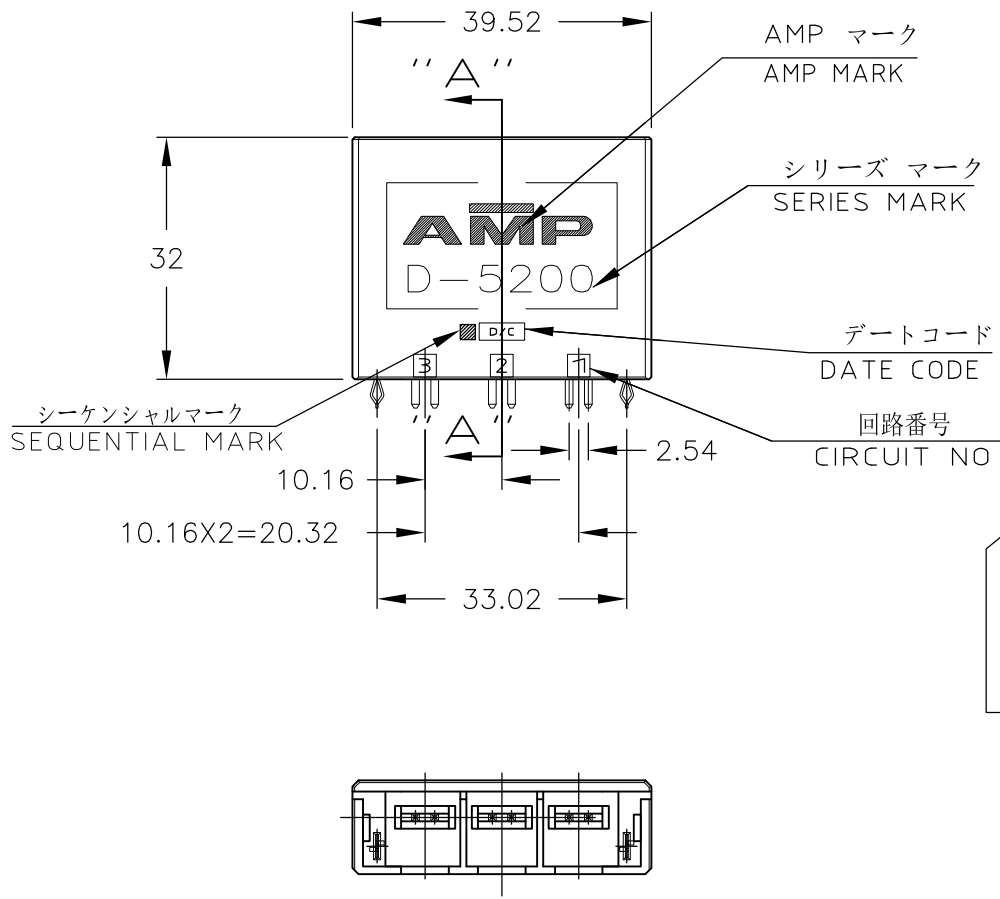
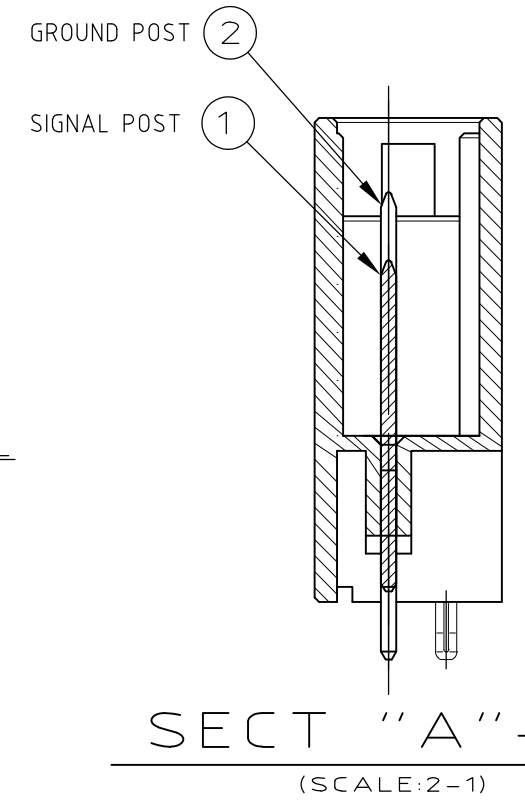
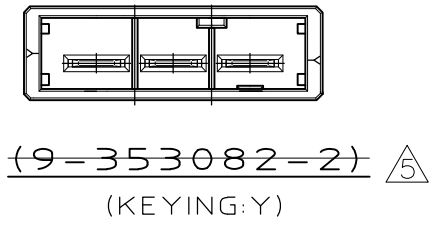
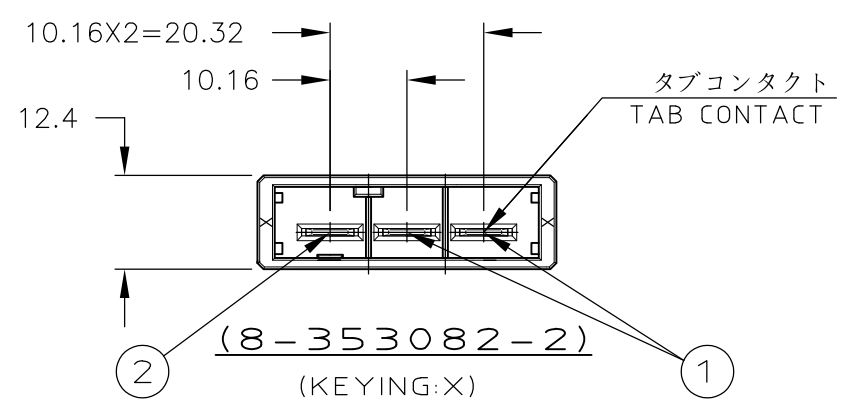
THIS DRAWING IS A CONTROLLED DOCUMENT.

DIMENSIONS: mm	TOLERANCES UNLESS OTHERWISE SPECIFIED: 0-PLC ± 10 ± 0.3 1-PLC ± 30 >10 ± 0.35 2-PLC ± 100 >30 ± 0.4 3-PLC ± 4-PLC ± ANGLES ± 3°	DWN K.IKEDA 04JUL1996	TE Connectivity
MATERIAL SEE NOTE	FINISH SEE NOTE	CHK Y.ISHIKAWA 04JUL1996	
		APVD F3 04JUL1996	
		PRODUCT SPEC 108-5453	
		APPLICATION SPEC 114-5206	NAME SINGLE ROW HEADER ASSY 3P V-TYPE DYNAMIC D-5200S
		WEIGHT	SIZE A3 CAGE CODE 00779 DRAWING NO. C-353082 RESTRICTED TO -
		CUSTOMER DRAWING	SCALE 1:1 SHEET 1 OF 2 REV G

THIS DRAWING IS UNPUBLISHED. RELEASED FOR PUBLICATION
 © COPYRIGHT 1996 By Tyco Electronics Japan G.K. ALL RIGHTS RESERVED.

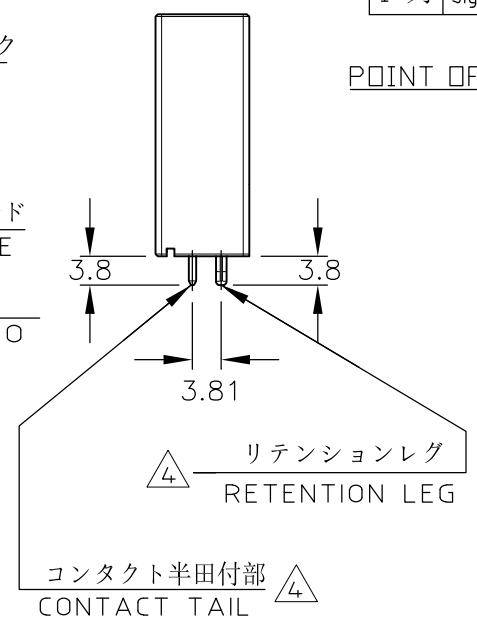
LOC	DIST	REVISIONS					
		P	LTR	DESCRIPTION	DATE	DWN	APVD
-	-	-	-	SEE SHEET 1	-	-	-

8,9-353082-2; AS SHOWN
 SEQUENTIAL TYPE



		回路番号		
		1	2	3
1 列		① Signal	① Signal	② Ground

POINT OF SEQUENTIAL



NOTES

- 1. MATERIAL: HOUSING: GLASS FILED THERMO PLASTIC, POLYESTER(94V-0)
 TAB CONTACT: COPPER ALLOY
 RETENTION LEG: BRASS
- 2. FINISH (CONTACT AREA): 0.38μm MIN GOLD PLATING OVER Ni PLATING
- 3. FINISH (CONTACT AREA): 0.76μm MIN GOLD PLATING OVER Ni PLATING
- 4. FINISH (RETENTION LEG): TIN PLATED (CONTACT TAIL) OVER NICKEL

注記

- 1. 材料 ハウジングガラス入り熱可塑性ポリエステル樹脂(94V-0)
 タブ コンタクト: 銅合金
 リテンション レグ: 黄銅
- 2. めっき コンタクト全面Ni下地
 接触部 0.38μm MIN金めっき
- 3. めっき コンタクト全面Ni下地
 接触部 0.76μm MIN金めっき
- 4. めっき リテンションレグとコンタクト半田付部
 : ニッケル下地の上にスズめっき
- 5. OBSOLETE PARTS: OBSOLETE CIS STREAMLINING PER D.RENAUD/D.SINISI

Y				
X				
KEY TYPE	コンタクトのめっき (FINISH)	色 COLOR	製品番号 (PART NO.)	

OBSOLETE 5

THIS DRAWING IS A CONTROLLED DOCUMENT.		DWN K.IKEDA 04JUL1996	TE Connectivity	
		CHK Y.ISHIKAWA 04JUL1996		
DIMENSIONS: mm		APVD F3 04JUL1996	NAME SINGLE ROW HEADER ASSY 3P V-TYPE DYNAMIC D-5200S	
TOLERANCES UNLESS OTHERWISE SPECIFIED: 0-PLC ± 100 ± 0.3 1-PLC ± 30 > 10 ± 0.35 2-PLC ± 100 > 30 ± 0.4 3-PLC ± 4-PLC ANGLS ± 3°		PRODUCT SPEC 108-5453	RESTRICTED TO	
MATERIAL SEE NOTE		APPLICATION SPEC 114-5206	SIZE A3	CAGE CODE 00779
		WEIGHT	DRAWING NO C-353082	REV G
CUSTOMER DRAWING			SCALE 1:1	SHEET 2 OF 2

X-ON Electronics

Largest Supplier of Electrical and Electronic Components

Click to view similar products for [Headers & Wire Housings](#) category:

Click to view products by [TE Connectivity](#) manufacturer:

Other Similar products are found below :

[892-18-020-10-001101](#) [58102-G61-06LF](#) [582553-1](#) [0009485154](#) [009176003701906](#) [0050291907](#) [LY20-4P-DT1-P1E-BR](#) [02.125.8002.8](#)
[609-3404](#) [61062-3](#) [61082-181009](#) [622-3653LF](#) [63453-116](#) [636-1030](#) [636-1427](#) [636-3427](#) [636-4007](#) [641938-9](#) [641991-4](#) [644827-2](#) [65817-010LF](#) [65817-015LF](#) [65863-015LF](#) [66207-023LF](#) [67095-007LF](#) [67601157](#) [68645-018](#) [68648-049](#) [70.362.1628.0](#) [70-4210](#) [70-4226B](#) [70-4853B](#) [707-5020](#) [707-5028](#) [71.350.2428.0](#) [71918-208LF](#) [71961-016LF](#) [733-134](#) [733-162](#) [754199-000](#) [760-3052](#) [787-8014-00](#) [79531-3000](#)
[FCN-360C032-B](#) [FCN-367T-T012/H](#) [FCN-723D010/2](#) [80.063.4001.1](#) [800-90-001-10-001000](#) [800-90-010-10-002000](#) [801-43-002-10-013000](#)