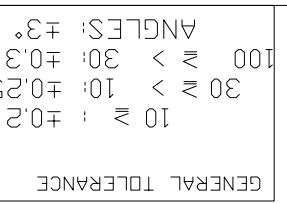
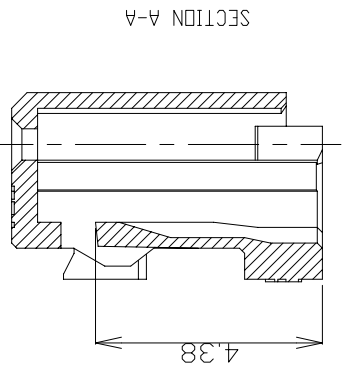
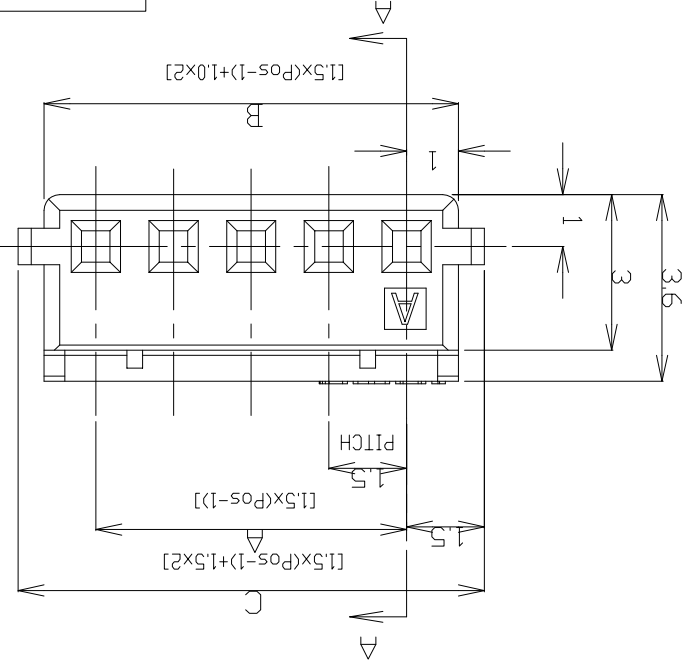
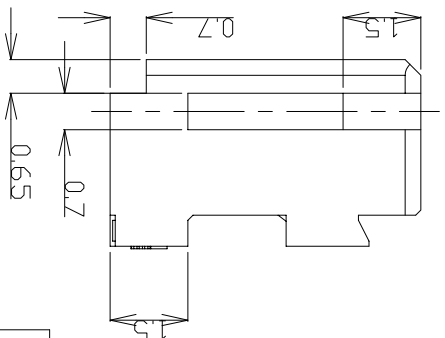


CUSTOMER DRAWING		SCALE	NON	SHEET	1 OF 2	REV	D
WEIGHT		SIZE	A3	CAGE CODE	00779	DRAWING NO. 353908	
APVD		S.KUBONOHJI		AMP MINI COMMON TERMINATED (CT) CONNECTOR 1.5mm PITCH HOUSING, CRIMP TYPE			
CHK		J.TANIGAWA		TE Connectivity			
DWN		H.HOSHINO		INSULATION DIA			
TOLERANCES UNLESS OTHERWISE SPECIFIED:		26.APR.'97		WIRE RANGE			
PRODUCT SPEC		108-60025		APPLICABLE WIRE SIZE: AWG#24~#30(0.22mm ² ~0.05mm ²)			
APPLICATION SPEC		114-5245		INSULATION DIA			

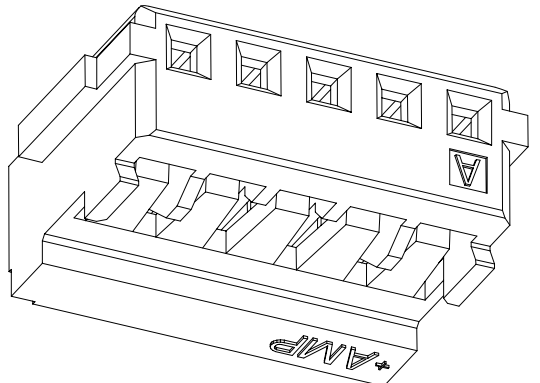
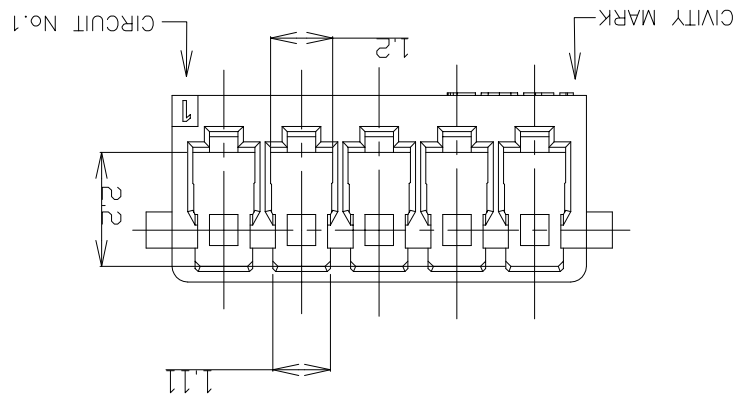
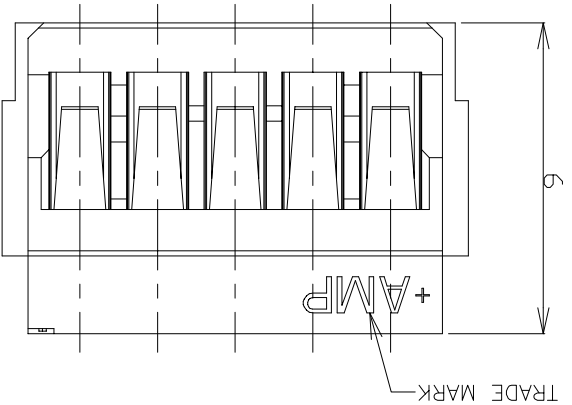
THIS DRAWING IS A CONTROLLED DOCUMENT.		MATERIAL		66NYLON UL94 V-0	
DIMENSIONS:		mm		GENERAL TOLERANCE	
FINISH		0 PLC		10 ≥ : ±0.2	
ANGLES		1 PLC		30 ≥ > 10: ±0.2	
		2 PLC		100 ≥ > 30: ±0.3	
		3 PLC		ANGLES: ±3°	
		4 PLC			



NOTES:
 1. APPLICABLE WIRE SIZE: AWG#24~#30(0.22mm²~0.05mm²).
 2. USE WITH RECEPTACLE CONTACT P/N AWG#24~#28: 353907-1, 353918-1(L/P)



WEIGHT (g)	DIMENSIONS			Pos	P/N
	A	B	C		
0.04	1.5	3.5	4.5	2	6-353908-2
0.06	3.0	5.0	6.0	3	6-353908-3
0.07	4.5	6.5	7.5	4	6-353908-4
0.09	6.0	8.0	9.0	5	6-353908-5
0.10	7.5	9.5	10.5	6	6-353908-6
0.13	9.0	11.0	12.0	7	6-353908-7
0.13	10.5	12.5	13.5	8	6-353908-8
0.14	12.0	14.0	15.0	9	6-353908-9
0.16	13.5	15.5	16.5	10	7-353908-0
0.17	15.0	17.0	18.0	11	7-353908-1
0.19	16.5	18.5	19.5	12	7-353908-2
0.20	18.0	20.0	21.0	13	7-353908-3
0.21	19.5	21.5	22.5	14	7-353908-4
0.23	21.0	23.0	24.0	15	7-353908-5
0.24	22.5	24.5	25.5	16	7-353908-6
0.26	24.0	26.0	27.0	17	7-353908-7
0.27	25.5	27.5	28.5	18	7-353908-8
0.29	27.0	29.0	30.0	19	7-353908-9
0.30	28.5	30.5	31.5	20	8-353908-0



REVISED ECR-16-005069	D	07APR2016	T.O.W.H
DESCRIPTION	P LTR	DATE	APVD
REVISIONS	ES 00		

THIS DRAWING IS UNPUBLISHED. ALL RIGHTS RESERVED. RELEASED FOR PUBLICATION. BY - - - - -

CUSTOMER DRAWING

SCALE: NON

SHEET: 2 OF 2

REV: D

RESTRICTED TO

DRAWING NO: 353908

CAGE CODE: 00779

SIZE: A3

WEIGHT: 114-5245

APPLICATOR SPEC: 108-60025

PRODUCT SPEC: S.KUBONOHJI

APVD: 10.MAR.'99

NAME: S.KUBONOHJI

DWN: 26.APR.'97

CHK: 26.APR.'97

J.TANIGAWA

H.HOSHINO

TE Connectivity

STE

AMP MINI COMMON TERMINATED (CT)
CONNECTOR 1.5mm PITCH
HOUSING, CRIMP TYPE

THIS DRAWING IS A CONTROLLED DOCUMENT.

TOLERANCES UNLESS OTHERWISE SPECIFIED:

0 PLC ±

1 PLC ±

2 PLC ±

3 PLC ±

4 PLC ±

ANGLES ±

FINISH

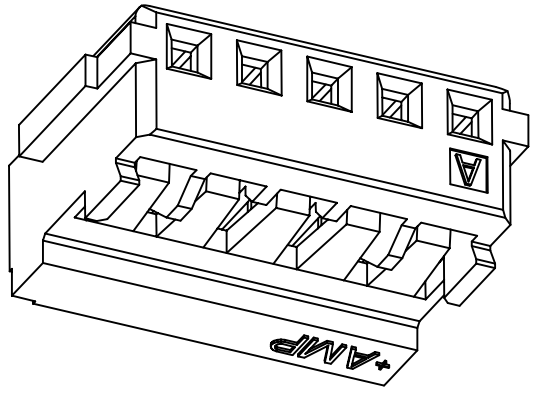
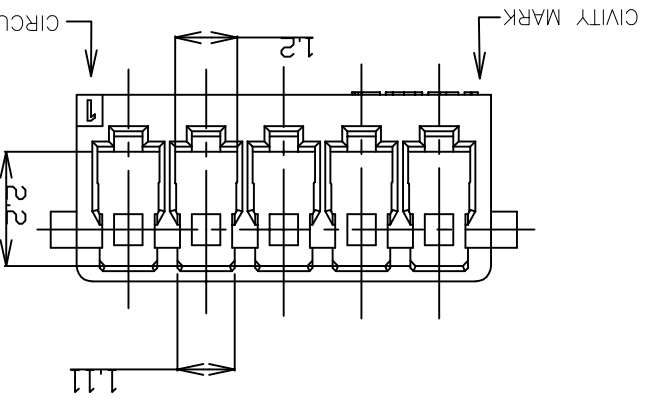
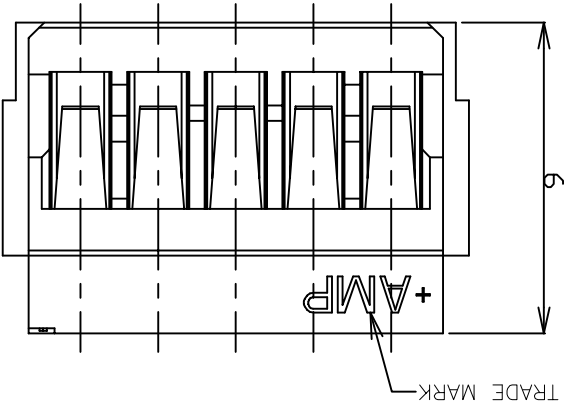
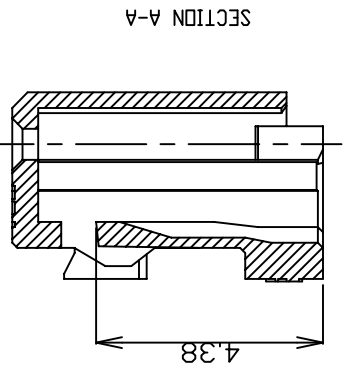
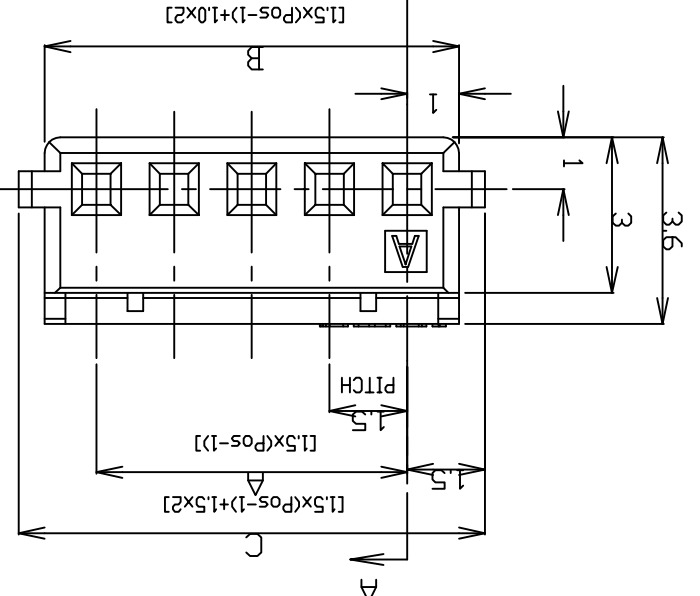
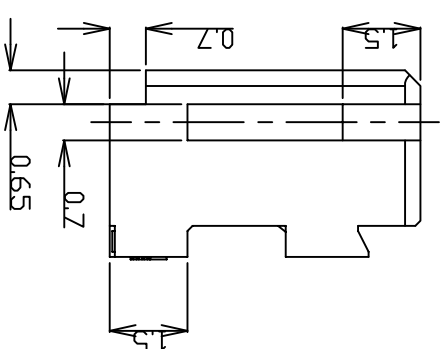
MATERIAL: 6 NYLON

UL94 V-2

DIMENSIONS: mm

NOTES:

- APPLICABLE WIRE SIZE: AWG#24~#30(0.22mm~0.05mm).
- USE WITH RECEPTACLE CONTACT P/N INSULATION DIAMETER: 0.7mm~1.03mm.
- AWG#24~#28: 353907-1, 353918-1(L/P)
- COMPLY WITH GLOW WIRE REQUIREMENTS FOR PARTS OF NON-METALLIC MATERIAL SUPPORTING A CURRENT-CARRYING CONNECTION DETAILED IN IEC 60335-1, SECTION 30(GWT).



Pos	A	B	C	DIMENSIONS	WEIGHT (g)	P/N
2	1.5	3.5	4.5	0.04	0.04	2-353908-2
3	3.0	5.0	6.0	0.06	0.06	2-353908-3
4	4.5	6.5	7.5	0.07	0.07	2-353908-4
5	6.0	8.0	9.0	0.09	0.09	2-353908-5
6	7.5	9.5	10.5	0.10	0.10	2-353908-6
7	9.0	11.0	12.0	0.13	0.13	2-353908-7
8	10.5	12.5	13.5	0.13	0.13	2-353908-8
9	12.0	14.0	15.0	0.14	0.14	2-353908-9
10	13.5	15.5	16.5	0.16	0.16	3-353908-0
11	15.0	17.0	18.0	0.17	0.17	3-353908-1
12	16.5	18.5	19.5	0.19	0.19	3-353908-2
13	18.0	20.0	21.0	0.20	0.20	3-353908-3
14	19.5	21.5	22.5	0.21	0.21	3-353908-4
15	21.0	23.0	24.0	0.23	0.23	3-353908-5
16	22.5	24.5	25.5	0.24	0.24	3-353908-6
17	24.0	26.0	27.0	0.26	0.26	3-353908-7
18	25.5	27.5	28.5	0.27	0.27	3-353908-8
19	27.0	29.0	29.0	0.29	0.29	3-353908-9
20	28.5	30.5	31.5	0.30	0.30	4-353908-0

REV	DATE	DESCRIPTION	P	LTR
1	---	SEE SHEET 1	---	---

REVISIONS

LOC: ES

DIST: 00

A

B

C

D

A

B

C

D

X-ON Electronics

Largest Supplier of Electrical and Electronic Components

Click to view similar products for [Headers & Wire Housings](#) category:

Click to view products by [TE Connectivity](#) manufacturer:

Other Similar products are found below :

[95000-104TRLF](#) [10135584-644402LF](#) [DF62W-EP2022PCA](#) [95000-106TRLF](#) [DF62W-2022SCA](#) [DF62W-EP2022PC](#) [2203348](#) [DF62W-2022SC](#) [1084018](#) [1029039](#) [1084017](#) [802-10-012-10-002000](#) [1112640](#) [1112639](#) [891-007-9SS-BST1T](#) [000-34000](#) [0008550134](#) [0009482033](#) [0009507031](#) [57102-F02-18ULF](#) [57102-S06-03LF](#) [57202-S52-04LF](#) [PCN6-15S-2.5E](#) [0039019024](#) [58102-G61-06LF](#) [582553-1](#) [0009485154](#) [0009508121](#) [0022285053](#) [0050291907](#) [018731A](#) [LY20-4P-DT1-P1E-BR](#) [02.125.8002.8](#) [60101931](#) [60598-1 \(Cut Strip\)](#) [M1625-3R/100](#) [61062-3](#) [61082-181009](#) [CSU011177004](#) [636-1427](#) [638009-1](#) [641938-9](#) [641991-4](#) [644168-1](#) [644827-2](#) [647662-1](#) [65039-019ELF](#) [65692-001LF](#) [65781-018](#) [65781-047](#)