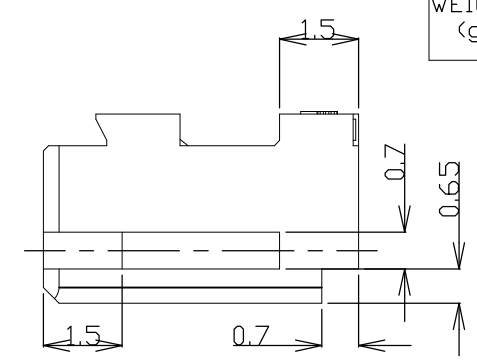
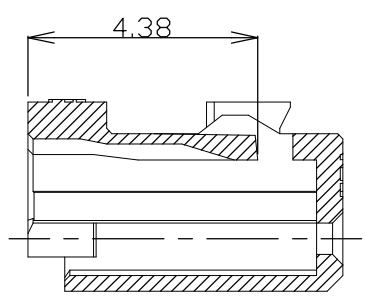
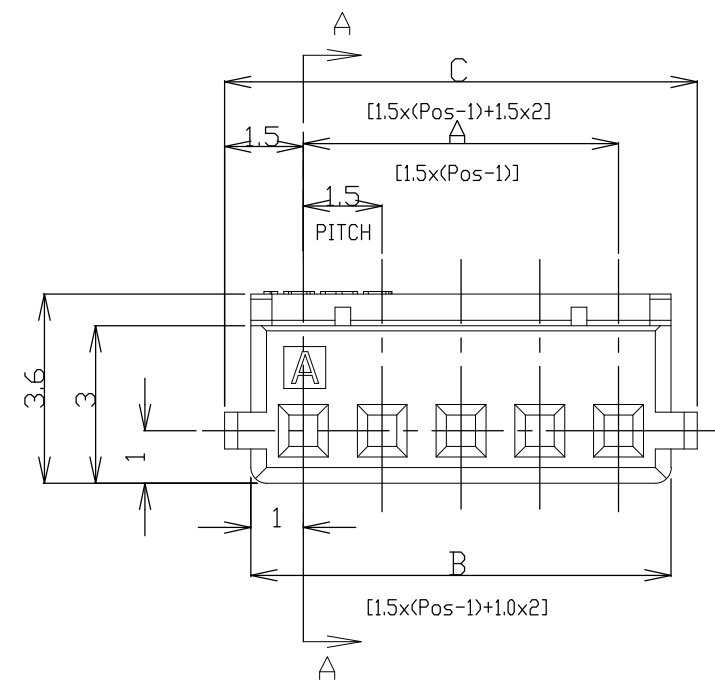
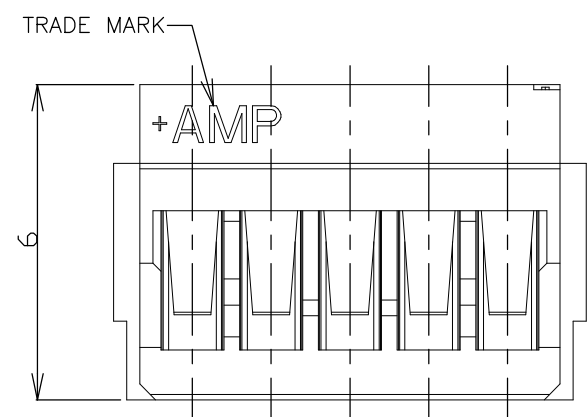
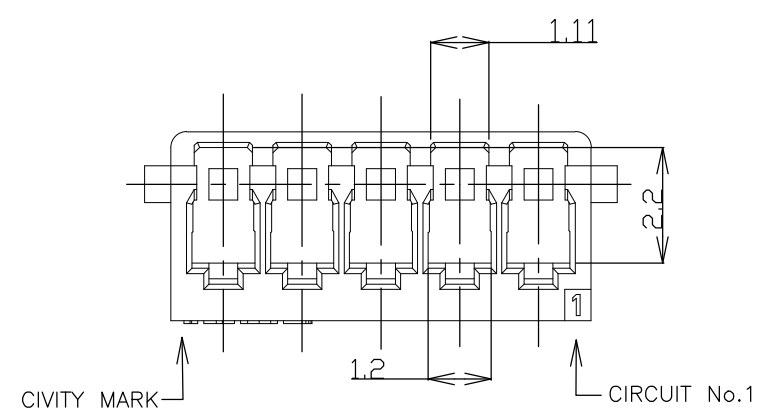
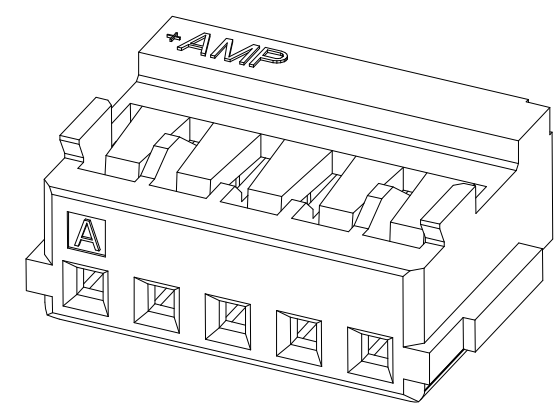


THIS DRAWING IS UNPUBLISHED. RELEASED FOR PUBLICATION  
 © COPYRIGHT - By - ALL RIGHTS RESERVED.

LOC	DIST	REVISIONS				
P	LTR	DESCRIPTION	DATE	DWN	APVD	
ES	00	D1	ECR-20-010787	27AUG20	T.Q W.H	



WEIGHT (g)	C	B	A	Pos	BLUE	WHITE
0.30	31.5	30.5	28.5	20	8-353908-0	2-353908-0
0.29	30.0	29.0	27.0	19	7-353908-9	1-353908-9
0.27	28.5	27.5	25.5	18	7-353908-8	1-353908-8
0.26	27.0	26.0	24.0	17	7-353908-7	1-353908-7
0.24	25.5	24.5	22.5	16	7-353908-6	1-353908-6
0.23	24.0	23.0	21.0	15	7-353908-5	1-353908-5
0.21	22.5	21.5	19.5	14	7-353908-4	1-353908-4
0.20	21.0	20.0	18.0	13	7-353908-3	1-353908-3
0.19	19.5	18.5	16.5	12	7-353908-2	1-353908-2
0.17	18.0	17.0	15.0	11	7-353908-1	1-353908-1
0.16	16.5	15.5	13.5	10	7-353908-0	1-353908-0
0.14	15.0	14.0	12.0	9	6-353908-9	353908-9
0.13	13.5	12.5	10.5	8	6-353908-8	353908-8
0.13	12.0	11.0	9.0	7	6-353908-7	353908-7
0.10	10.5	9.5	7.5	6	6-353908-6	353908-6
0.09	9.0	8.0	6.0	5	6-353908-5	353908-5
0.07	7.5	6.5	4.5	4	6-353908-4	353908-4
0.06	6.0	5.0	3.0	3	6-353908-3	353908-3
0.04	4.5	3.5	1.5	2	6-353908-2	353908-2

NOTES:  
 1. APPLICABLE WIRE SIZE: AWG#24~#30(0.22mm<sup>2</sup>~0.05mm<sup>2</sup>).  
 INSULATION DIAMETER: 0.7mm~1.03mm.  
 2. USE WITH RECEPTACLE CONTACT P/N  
 AWG#24~#28: 353907-1, 353918-1(L/P)

GENERAL TOLERANCE

10 ≥	±0.2
30 ≥ > 10	±0.25
100 ≥ > 30	±0.3
ANGLES: ±3°	

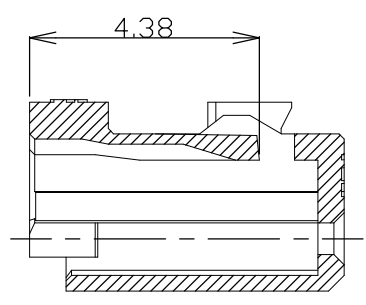
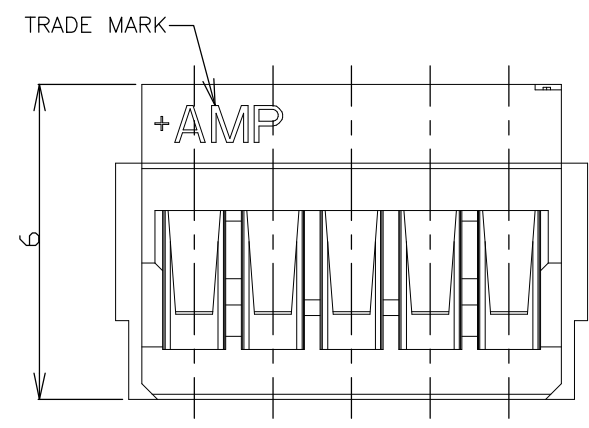
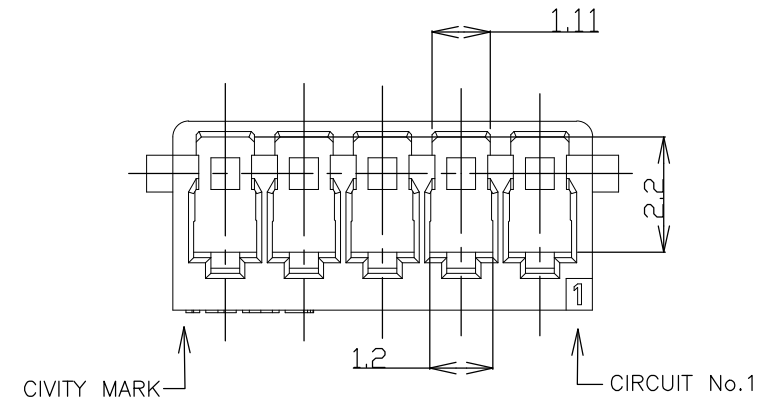
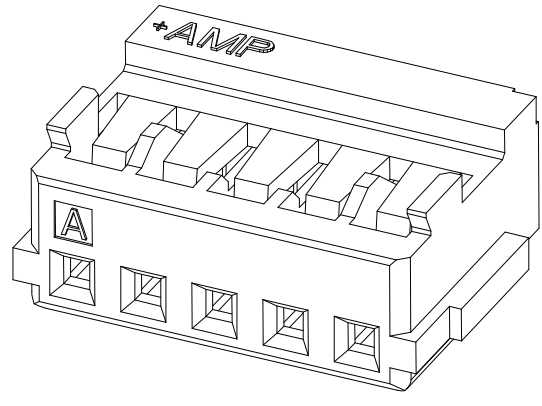
THIS DRAWING IS A CONTROLLED DOCUMENT.

DIMENSIONS:	TOLERANCES UNLESS OTHERWISE SPECIFIED:
mm	0 PLC ±-
	1 PLC ±-
	2 PLC ±-
	3 PLC ±-
	4 PLC ±-
	ANGLES ±-
MATERIAL	FINISH
66NYLON	
UL94 V-0	

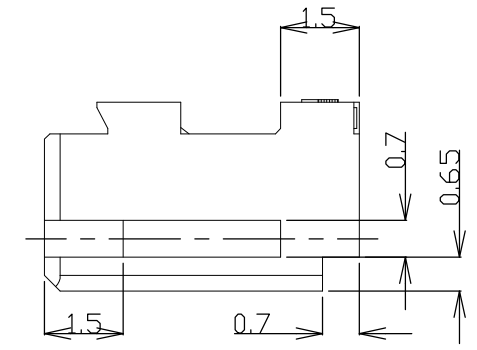
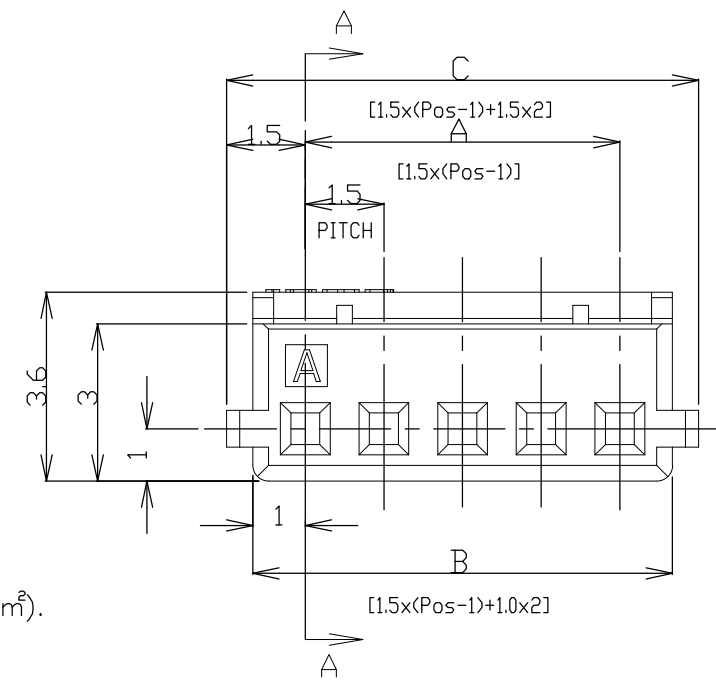
WIRE RANGE	INSULATION DIA	TE Connectivity	
DWN H.HOSHINO 26.APR.'97	AMP MINI COMMON TERMINATED (CT) CONNECTOR 1.5mm PITCH HOUSING, CRIMP TYPE		
CHK J.TANIGAWA 26.APR.'97			
APVD S.KUBONOHI 10.MAR.'99	NAME		
PRODUCT SPEC 108-60025	SIZE CAGE CODE DRAWING NO RESTRICTED TO		
APPLICATION SPEC 114-5245	A3 00779 C-353908		
WEIGHT	SCALE SHEET REV		
CUSTOMER DRAWING	NON 1 of 2 D1		

THIS DRAWING IS UNPUBLISHED. RELEASED FOR PUBLICATION  
 © COPYRIGHT - By - ALL RIGHTS RESERVED.

LOC	DIST	REVISIONS					
ES	00	P	LTR	DESCRIPTION	DATE	DWN	APVD
		-		SEE SHEET 1	-	-	-




SECTION A-A



OBSOLETE ALL GLOW WIRE PARTS ON THIS SHEET.

0.30	31.5	30.5	28.5	20	4-353908-0
0.29	30.0	29.0	27.0	19	3-353908-9
0.27	28.5	27.5	25.5	18	3-353908-8
0.26	27.0	26.0	24.0	17	3-353908-7
0.24	25.5	24.5	22.5	16	3-353908-6
0.23	24.0	23.0	21.0	15	3-353908-5
0.21	22.5	21.5	19.5	14	3-353908-4
0.20	21.0	20.0	18.0	13	3-353908-3
0.19	19.5	18.5	16.5	12	3-353908-2
0.17	18.0	17.0	15.0	11	3-353908-1
0.16	16.5	15.5	13.5	10	3-353908-0
0.14	15.0	14.0	12.0	9	2-353908-9
0.13	13.5	12.5	10.5	8	2-353908-8
0.13	12.0	11.0	9.0	7	2-353908-7
0.10	10.5	9.5	7.5	6	2-353908-6
0.09	9.0	8.0	6.0	5	2-353908-5
0.07	7.5	6.5	4.5	4	2-353908-4
0.06	6.0	5.0	3.0	3	2-353908-3
0.04	4.5	3.5	1.5	2	2-353908-2
WEIGHT (g)	C	B	A	Pos	WHITE P/N
	DIMENSIONS				

- NOTES:
- APPLICABLE WIRE SIZE: AWG#24~#30(0.22mm<sup>2</sup>~0.05mm<sup>2</sup>).  
INSULATION DIAMETER: 0.7mm~1.03mm.
  - USE WITH RECEPTACLE CONTACT P/N  
AWG#24~#28: 353907-1, 353918-1(L/P)
  - COMPLY WITH GLOW WIRE REQUIREMENTS FOR PARTS OF  
NON-METALLIC MATERIAL SUPPORTING A CURRENT-CARRYING  
CONNECTION DETAILED IN IEC 60335-1, SECTION 30(GWT).

THIS DRAWING IS A CONTROLLED DOCUMENT.		DWN H.HOSHINO 26.APR.'97	 TE Connectivity		
DIMENSIONS: mm		CHK J.TANIGAWA 26.APR.'97			
TOLERANCES UNLESS OTHERWISE SPECIFIED:		APVD S.KUBONOHI 10.MAR.'99	NAME		
0 PLC ± - 1 PLC ± - 2 PLC ± - 3 PLC ± - 4 PLC ± - ANGLES ± - FINISH -		PRODUCT SPEC 108-60025	AMP MINI COMMON TERMINATED (CT) CONNECTOR 1.5mm PITCH HOUSING, CRIMP TYPE		
MATERIAL 6 NYLON UL94 V-2		APPLICATION SPEC 114-5245	SIZE A3	CAGE CODE 00779	DRAWING NO C-353908
		WEIGHT	RESTRICTED TO		
		CUSTOMER DRAWING	SCALE NON	SHEET 2 OF 2	REV D1

## X-ON Electronics

Largest Supplier of Electrical and Electronic Components

*Click to view similar products for [Headers & Wire Housings](#) category:*

*Click to view products by [TE Connectivity](#) manufacturer:*

Other Similar products are found below :

[892-18-020-10-001101](#) [58102-G61-06LF](#) [582553-1](#) [0009485154](#) [009176003701906](#) [0050291907](#) [LY20-4P-DT1-P1E-BR](#) [02.125.8002.8](#)  
[609-3404](#) [61062-3](#) [61082-181009](#) [622-3653LF](#) [63453-116](#) [636-1030](#) [636-1427](#) [636-3427](#) [636-4007](#) [641938-9](#) [641991-4](#) [644827-2](#) [65817-](#)  
[010LF](#) [65817-015LF](#) [65863-015LF](#) [66207-023LF](#) [67095-007LF](#) [67601157](#) [68645-018](#) [68648-049](#) [70.362.1628.0](#) [70-4210](#) [70-4226B](#) [70-](#)  
[4853B](#) [707-5020](#) [707-5028](#) [71.350.2428.0](#) [71918-208LF](#) [71961-016LF](#) [733-134](#) [733-162](#) [754199-000](#) [760-3052](#) [787-8014-00](#) [79531-3000](#)  
[FCN-360C032-B](#) [FCN-367T-T012/H](#) [FCN-723D010/2](#) [80.063.4001.1](#) [800-90-001-10-001000](#) [800-90-010-10-002000](#) [801-43-002-10-013000](#)