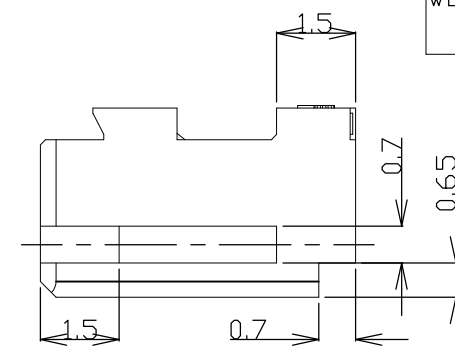
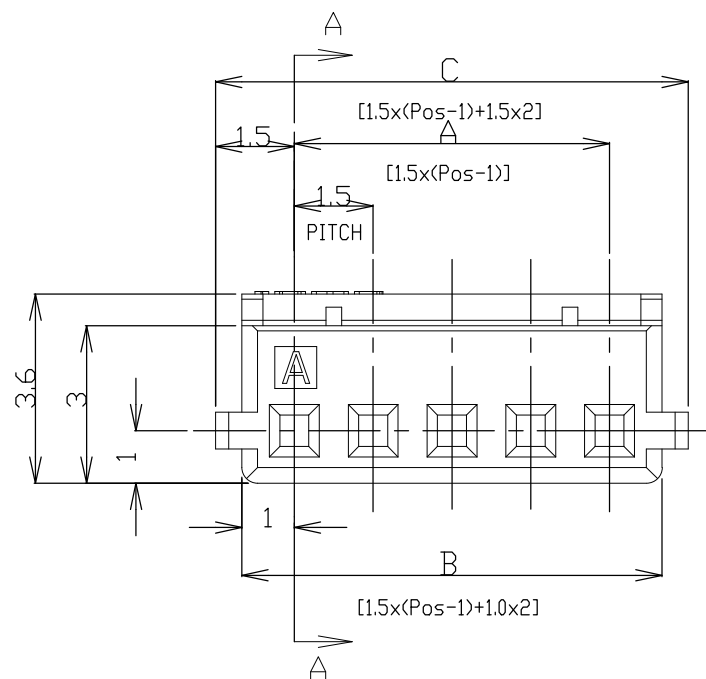
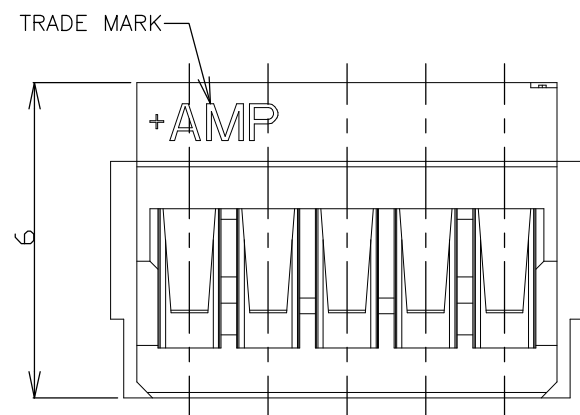
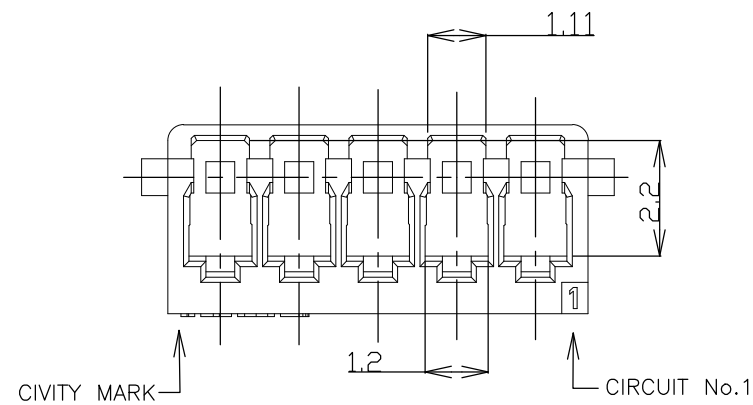
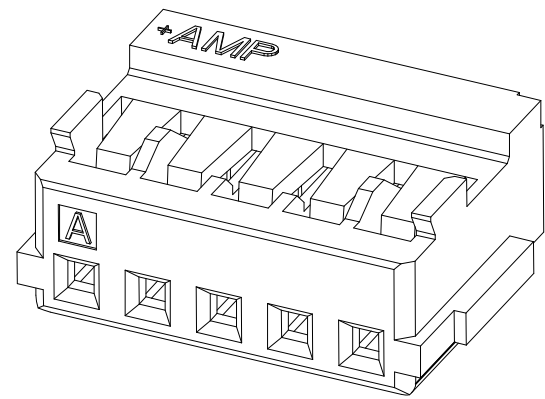
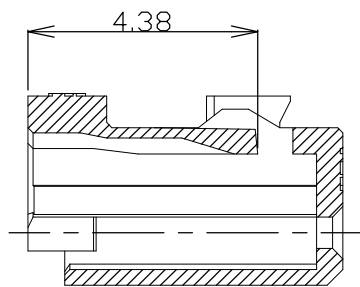


THIS DRAWING IS UNPUBLISHED. RELEASED FOR PUBLICATION
 © COPYRIGHT - By - ALL RIGHTS RESERVED.

| LOC | DIST | REVISIONS | | | | |
|-----|------|-------------|---------------|---------|---------|--|
| P | LTR | DESCRIPTION | DATE | DWN | APVD | |
| ES | 00 | D1 | ECR-20-010787 | 27AUG20 | T.Q W.H | |



| WEIGHT (g) | C | B | A | Pos | BLUE | WHITE |
|------------|------|------|------|-----|------------|------------|
| 0.30 | 31.5 | 30.5 | 28.5 | 20 | 8-353908-0 | 2-353908-0 |
| 0.29 | 30.0 | 29.0 | 27.0 | 19 | 7-353908-9 | 1-353908-9 |
| 0.27 | 28.5 | 27.5 | 25.5 | 18 | 7-353908-8 | 1-353908-8 |
| 0.26 | 27.0 | 26.0 | 24.0 | 17 | 7-353908-7 | 1-353908-7 |
| 0.24 | 25.5 | 24.5 | 22.5 | 16 | 7-353908-6 | 1-353908-6 |
| 0.23 | 24.0 | 23.0 | 21.0 | 15 | 7-353908-5 | 1-353908-5 |
| 0.21 | 22.5 | 21.5 | 19.5 | 14 | 7-353908-4 | 1-353908-4 |
| 0.20 | 21.0 | 20.0 | 18.0 | 13 | 7-353908-3 | 1-353908-3 |
| 0.19 | 19.5 | 18.5 | 16.5 | 12 | 7-353908-2 | 1-353908-2 |
| 0.17 | 18.0 | 17.0 | 15.0 | 11 | 7-353908-1 | 1-353908-1 |
| 0.16 | 16.5 | 15.5 | 13.5 | 10 | 7-353908-0 | 1-353908-0 |
| 0.14 | 15.0 | 14.0 | 12.0 | 9 | 6-353908-9 | 353908-9 |
| 0.13 | 13.5 | 12.5 | 10.5 | 8 | 6-353908-8 | 353908-8 |
| 0.13 | 12.0 | 11.0 | 9.0 | 7 | 6-353908-7 | 353908-7 |
| 0.10 | 10.5 | 9.5 | 7.5 | 6 | 6-353908-6 | 353908-6 |
| 0.09 | 9.0 | 8.0 | 6.0 | 5 | 6-353908-5 | 353908-5 |
| 0.07 | 7.5 | 6.5 | 4.5 | 4 | 6-353908-4 | 353908-4 |
| 0.06 | 6.0 | 5.0 | 3.0 | 3 | 6-353908-3 | 353908-3 |
| 0.04 | 4.5 | 3.5 | 1.5 | 2 | 6-353908-2 | 353908-2 |



SECTION A-A

- NOTES:
 1. APPLICABLE WIRE SIZE: AWG#24~#30(0.22mm²~0.05mm²).
 INSULATION DIAMETER: 0.7mm~1.03mm.
 2. USE WITH RECEPTACLE CONTACT P/N
 AWG#24~#28: 353907-1, 353918-1(L/P)

GENERAL TOLERANCE

| | |
|------------|-------|
| 10 ≥ | ±0.2 |
| 30 ≥ > 10 | ±0.25 |
| 100 ≥ > 30 | ±0.3 |
| ANGLES | ±3° |

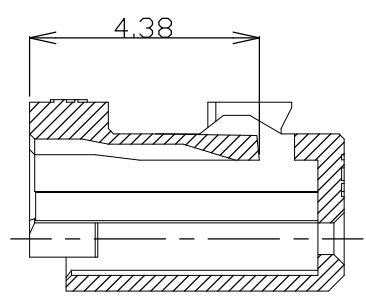
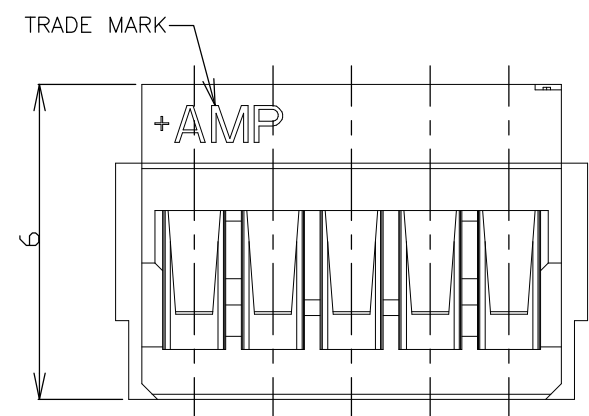
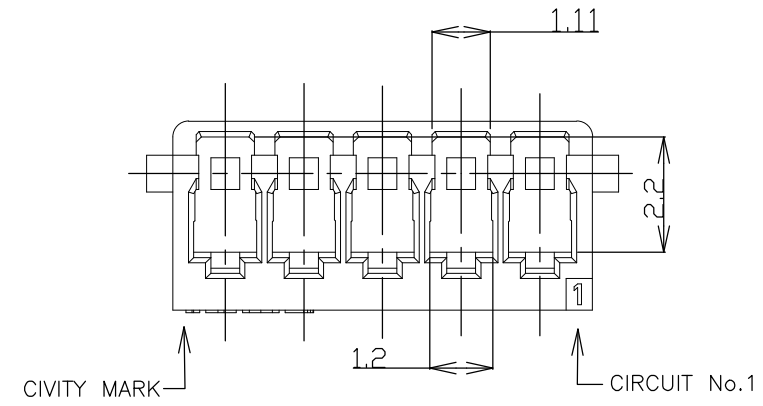
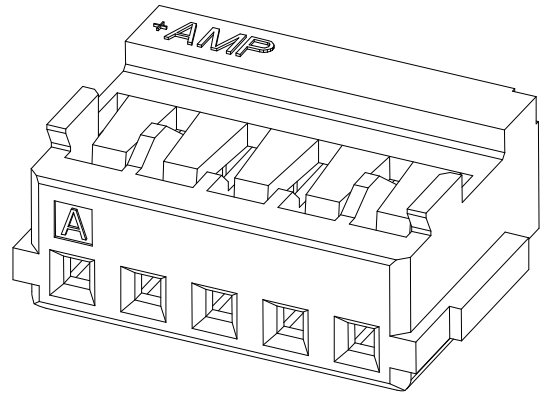
THIS DRAWING IS A CONTROLLED DOCUMENT.

| | |
|-------------|--|
| DIMENSIONS: | TOLERANCES UNLESS OTHERWISE SPECIFIED: |
| mm | 0 PLC ±- |
| | 1 PLC ±- |
| | 2 PLC ±- |
| | 3 PLC ±- |
| | 4 PLC ±- |
| | ANGLES ±- |
| MATERIAL | FINISH |
| 66NYLON | |
| UL94 V-0 | |

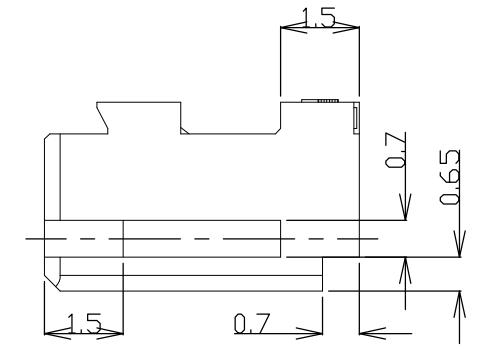
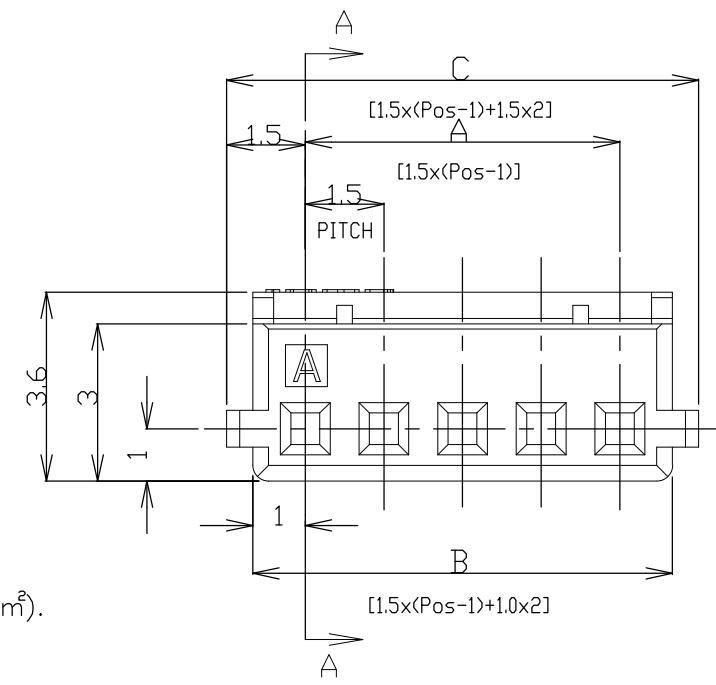
| | | | |
|----------------------------|---------------------------|---|---------------|
| WIRE RANGE | INSULATION DIA | TE Connectivity | |
| | | | |
| DWN H.HOSHINO 26.APR.'97 | CHK J.TANIGAWA 26.APR.'97 | NAME | |
| APVD S.KUBONOHI 10.MAR.'99 | PRODUCT SPEC | AMP MINI COMMON TERMINATED (CT) CONNECTOR 1.5mm PITCH HOUSING, CRIMP TYPE | |
| APPLICATION SPEC | 108-60025 | SIZE | CAGE CODE |
| WEIGHT | 114-5245 | DRAWING NO | RESTRICTED TO |
| CUSTOMER DRAWING | | A300779 | C-353908 |
| SCALE NON | | SHEET 1 of 2 | REV D1 |

THIS DRAWING IS UNPUBLISHED. RELEASED FOR PUBLICATION
 © COPYRIGHT - By - ALL RIGHTS RESERVED.

| LOC | DIST | REVISIONS | | | | | |
|-----|------|-----------|-----|-------------|------|-----|------|
| ES | 00 | P | LTR | DESCRIPTION | DATE | DWN | APVD |
| | | - | | SEE SHEET 1 | - | - | - |



SECTION A-A



OBSOLETE ALL GLOW WIRE PARTS ON THIS SHEET.

| | | | | | |
|------------|------------|------|------|-----|------------|
| 0.30 | 31.5 | 30.5 | 28.5 | 20 | 4-353908-0 |
| 0.29 | 30.0 | 29.0 | 27.0 | 19 | 3-353908-9 |
| 0.27 | 28.5 | 27.5 | 25.5 | 18 | 3-353908-8 |
| 0.26 | 27.0 | 26.0 | 24.0 | 17 | 3-353908-7 |
| 0.24 | 25.5 | 24.5 | 22.5 | 16 | 3-353908-6 |
| 0.23 | 24.0 | 23.0 | 21.0 | 15 | 3-353908-5 |
| 0.21 | 22.5 | 21.5 | 19.5 | 14 | 3-353908-4 |
| 0.20 | 21.0 | 20.0 | 18.0 | 13 | 3-353908-3 |
| 0.19 | 19.5 | 18.5 | 16.5 | 12 | 3-353908-2 |
| 0.17 | 18.0 | 17.0 | 15.0 | 11 | 3-353908-1 |
| 0.16 | 16.5 | 15.5 | 13.5 | 10 | 3-353908-0 |
| 0.14 | 15.0 | 14.0 | 12.0 | 9 | 2-353908-9 |
| 0.13 | 13.5 | 12.5 | 10.5 | 8 | 2-353908-8 |
| 0.13 | 12.0 | 11.0 | 9.0 | 7 | 2-353908-7 |
| 0.10 | 10.5 | 9.5 | 7.5 | 6 | 2-353908-6 |
| 0.09 | 9.0 | 8.0 | 6.0 | 5 | 2-353908-5 |
| 0.07 | 7.5 | 6.5 | 4.5 | 4 | 2-353908-4 |
| 0.06 | 6.0 | 5.0 | 3.0 | 3 | 2-353908-3 |
| 0.04 | 4.5 | 3.5 | 1.5 | 2 | 2-353908-2 |
| WEIGHT (g) | C | B | A | Pos | WHITE P/N |
| | DIMENSIONS | | | | |

- NOTES:
- APPLICABLE WIRE SIZE: AWG#24~#30(0.22mm²~0.05mm²). INSULATION DIAMETER: 0.7mm~1.03mm.
 - USE WITH RECEPTACLE CONTACT P/N AWG#24~#28: 353907-1, 353918-1(L/P)
 - COMPLY WITH GLOW WIRE REQUIREMENTS FOR PARTS OF NON-METALLIC MATERIAL SUPPORTING A CURRENT-CARRYING CONNECTION DETAILED IN IEC 60335-1, SECTION 30(GWT).

| | | | | |
|--|--|----------------------------|---------------------------------|---------------|
| THIS DRAWING IS A CONTROLLED DOCUMENT. | | DWN H.HOSHINO 26.APR.'97 | TE Connectivity | |
| | | CHK J.TANIGAWA 26.APR.'97 | | |
| | | APVD S.KUBONOHI 10.MAR.'99 | NAME | |
| | | PRODUCT SPEC | AMP MINI COMMON TERMINATED (CT) | |
| | | APPLICATION SPEC | CONNECTOR 1.5mm PITCH | |
| | | WEIGHT | HOUSING, CRIMP TYPE | |
| | | CUSTOMER DRAWING | SIZE A3 | RESTRICTED TO |
| | | | CAGE CODE 00779 | |
| | | | DRAWING NO C-353908 | |
| | | | SCALE NON | |
| | | | SHEET 2 OF 2 | |
| | | | REV D1 | |

X-ON Electronics

Largest Supplier of Electrical and Electronic Components

Click to view similar products for [Headers & Wire Housings](#) category:

Click to view products by [TE Connectivity](#) manufacturer:

Other Similar products are found below :

[892-18-020-10-001101](#) [58102-G61-06LF](#) [582553-1](#) [0009485154](#) [009176003701906](#) [0050291907](#) [LY20-4P-DT1-P1E-BR](#) [02.125.8002.8](#)
[609-3404](#) [61062-3](#) [61082-181009](#) [622-3653LF](#) [63453-116](#) [636-1030](#) [636-1427](#) [636-3427](#) [636-4007](#) [641938-9](#) [641991-4](#) [644827-2](#) [65817-](#)
[010LF](#) [65817-015LF](#) [65863-015LF](#) [66207-023LF](#) [67095-007LF](#) [67601157](#) [68645-018](#) [68648-049](#) [70.362.1628.0](#) [70-4210](#) [70-4226B](#) [70-](#)
[4853B](#) [707-5020](#) [707-5028](#) [71.350.2428.0](#) [71918-208LF](#) [71961-016LF](#) [733-134](#) [733-162](#) [754199-000](#) [760-3052](#) [787-8014-00](#) [79531-3000](#)
[FCN-360C032-B](#) [FCN-367T-T012/H](#) [FCN-723D010/2](#) [80.063.4001.1](#) [800-90-001-10-001000](#) [800-90-010-10-002000](#) [801-43-002-10-013000](#)