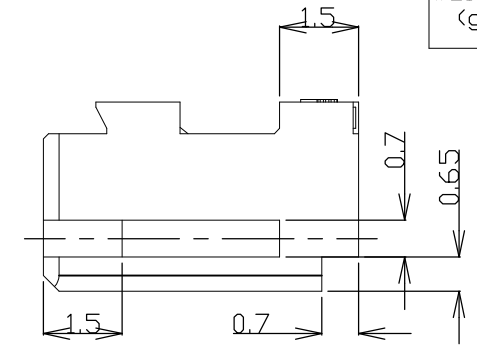
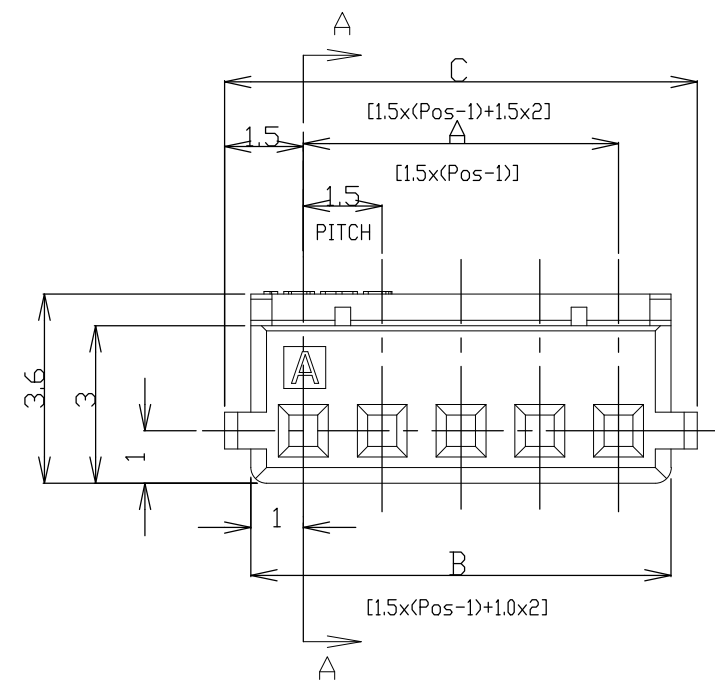
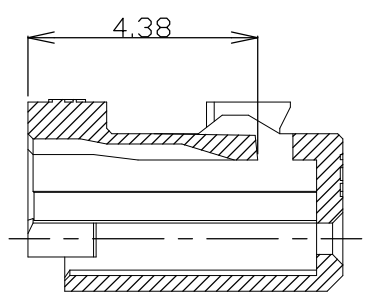
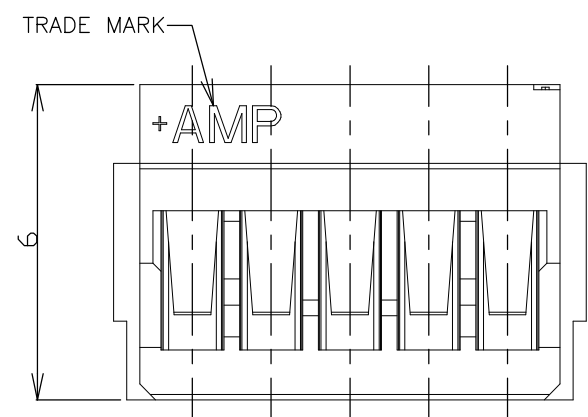
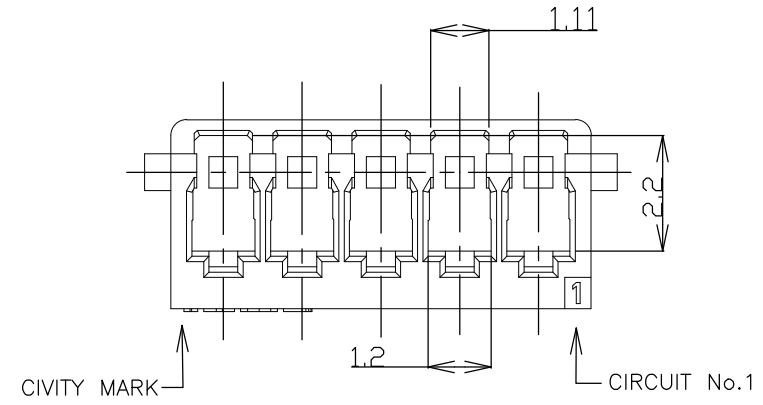
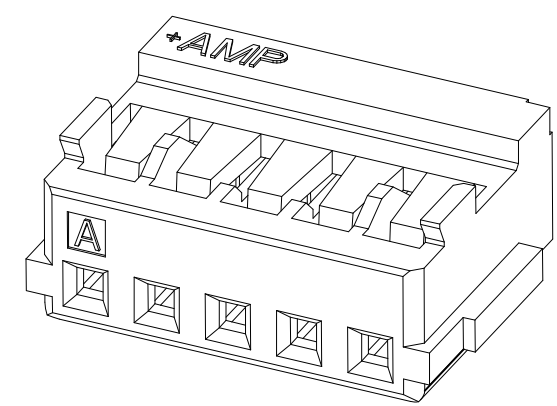


THIS DRAWING IS UNPUBLISHED. RELEASED FOR PUBLICATION  
 © COPYRIGHT - By - ALL RIGHTS RESERVED.

LOC	DIST	REVISIONS				
P	LTR	DESCRIPTION	DATE	DWN	APVD	
ES	00	D1	ECR-20-010787	27AUG20	T.Q W.H	



WEIGHT (g)	C	B	A	Pos	BLUE	WHITE
DIMENSIONS					P/N	
0.30	31.5	30.5	28.5	20	8-353908-0	2-353908-0
0.29	30.0	29.0	27.0	19	7-353908-9	1-353908-9
0.27	28.5	27.5	25.5	18	7-353908-8	1-353908-8
0.26	27.0	26.0	24.0	17	7-353908-7	1-353908-7
0.24	25.5	24.5	22.5	16	7-353908-6	1-353908-6
0.23	24.0	23.0	21.0	15	7-353908-5	1-353908-5
0.21	22.5	21.5	19.5	14	7-353908-4	1-353908-4
0.20	21.0	20.0	18.0	13	7-353908-3	1-353908-3
0.19	19.5	18.5	16.5	12	7-353908-2	1-353908-2
0.17	18.0	17.0	15.0	11	7-353908-1	1-353908-1
0.16	16.5	15.5	13.5	10	7-353908-0	1-353908-0
0.14	15.0	14.0	12.0	9	6-353908-9	353908-9
0.13	13.5	12.5	10.5	8	6-353908-8	353908-8
0.13	12.0	11.0	9.0	7	6-353908-7	353908-7
0.10	10.5	9.5	7.5	6	6-353908-6	353908-6
0.09	9.0	8.0	6.0	5	6-353908-5	353908-5
0.07	7.5	6.5	4.5	4	6-353908-4	353908-4
0.06	6.0	5.0	3.0	3	6-353908-3	353908-3
0.04	4.5	3.5	1.5	2	6-353908-2	353908-2

NOTES:  
 ⚠ APPLICABLE WIRE SIZE: AWG#24~#30(0.22mm²~0.05mm²).  
 INSULATION DIAMETER: 0.7mm~1.03mm.  
 2. USE WITH RECEPTACLE CONTACT P/N  
 AWG#24~#28: 353907-1, 353918-1(L/P)

GENERAL TOLERANCE

10 ≥ :	±0.2
30 ≥ > 10:	±0.25
100 ≥ > 30:	±0.3
ANGLES:	±3°

THIS DRAWING IS A CONTROLLED DOCUMENT.

DIMENSIONS: mm

TOLERANCES UNLESS OTHERWISE SPECIFIED:  
 0 PLC ±-  
 1 PLC ±-  
 2 PLC ±-  
 3 PLC ±-  
 4 PLC ±-  
 ANGLES ±-

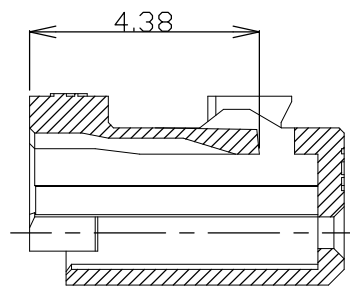
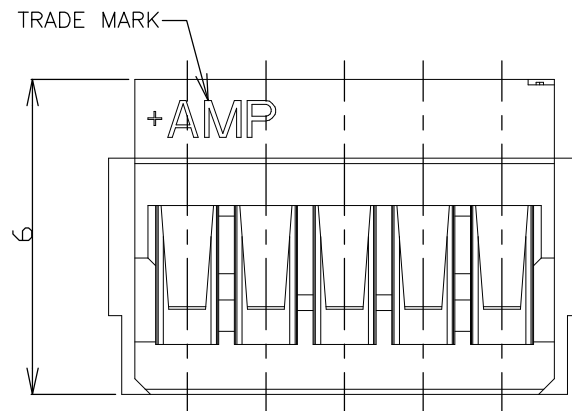
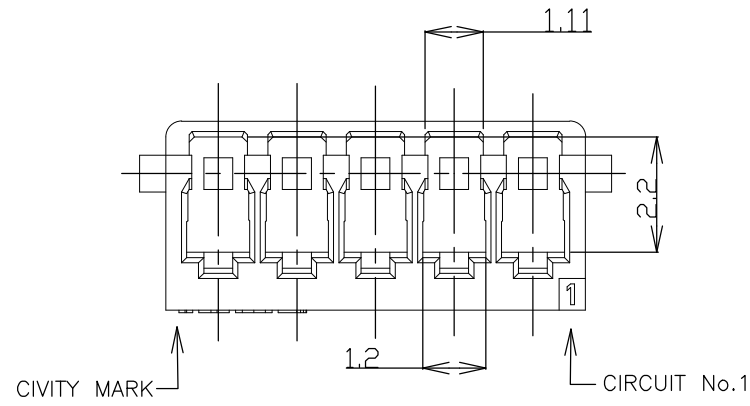
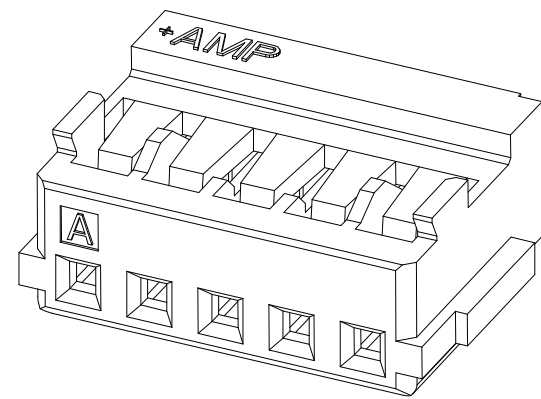
MATERIAL: 66NYLON UL94 V-0

FINISH: ±-

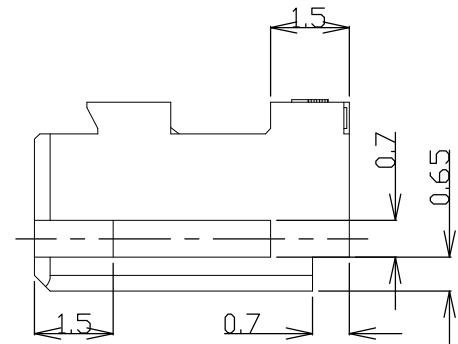
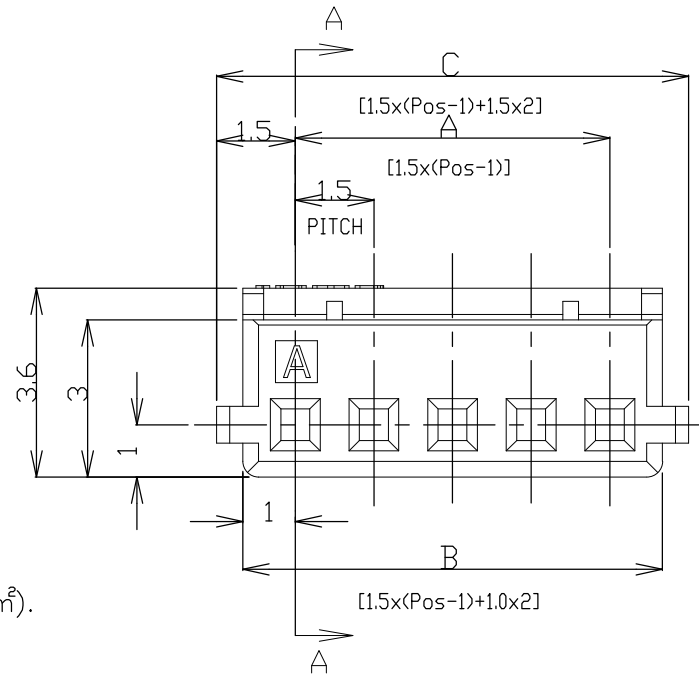
WIRE RANGE		INSULATION DIA	
H.HOSHINO 26.APR.'97		S.KUBONOHI 10.MAR.'99	
J.TANIGAWA 26.APR.'97		S.KUBONOHI 10.MAR.'99	
APVD S.KUBONOHI		NAME	
PRODUCT SPEC		AMP MINI COMMON TERMINATED (CT) CONNECTOR 1.5mm PITCH HOUSING, CRIMP TYPE	
APPLICATION SPEC		SIZE CAGE CODE DRAWING NO	
108-60025		A3 00779 C-353908	
WEIGHT		RESTRICTED TO	
114-5245		-	
CUSTOMER DRAWING		SCALE SHEET	
NON		1 of 2	
		REV D1	

THIS DRAWING IS UNPUBLISHED. RELEASED FOR PUBLICATION  
 © COPYRIGHT - By - ALL RIGHTS RESERVED.

LOC	DIST	REVISIONS					
ES	00	P	LTR	DESCRIPTION	DATE	DWN	APVD
		-		SEE SHEET 1	-	-	-



SECTION A-A



OBSOLETE ALL GLOW WIRE PARTS ON THIS SHEET.

0.30	31.5	30.5	28.5	20	4-353908-0
0.29	30.0	29.0	27.0	19	3-353908-9
0.27	28.5	27.5	25.5	18	3-353908-8
0.26	27.0	26.0	24.0	17	3-353908-7
0.24	25.5	24.5	22.5	16	3-353908-6
0.23	24.0	23.0	21.0	15	3-353908-5
0.21	22.5	21.5	19.5	14	3-353908-4
0.20	21.0	20.0	18.0	13	3-353908-3
0.19	19.5	18.5	16.5	12	3-353908-2
0.17	18.0	17.0	15.0	11	3-353908-1
0.16	16.5	15.5	13.5	10	3-353908-0
0.14	15.0	14.0	12.0	9	2-353908-9
0.13	13.5	12.5	10.5	8	2-353908-8
0.13	12.0	11.0	9.0	7	2-353908-7
0.10	10.5	9.5	7.5	6	2-353908-6
0.09	9.0	8.0	6.0	5	2-353908-5
0.07	7.5	6.5	4.5	4	2-353908-4
0.06	6.0	5.0	3.0	3	2-353908-3
0.04	4.5	3.5	1.5	2	2-353908-2
WEIGHT (g)	C	B	A	Pos	WHITE P/N
	DIMENSIONS				

- NOTES:
- APPLICABLE WIRE SIZE: AWG#24~#30(0.22mm<sup>2</sup>~0.05mm<sup>2</sup>).  
INSULATION DIAMETER: 0.7mm~1.03mm.
  - USE WITH RECEPTACLE CONTACT P/N  
AWG#24~#28: 353907-1, 353918-1(L/P)
  - COMPLY WITH GLOW WIRE REQUIREMENTS FOR PARTS OF  
NON-METALLIC MATERIAL SUPPORTING A CURRENT-CARRYING  
CONNECTION DETAILED IN IEC 60335-1, SECTION 30(GWT).

THIS DRAWING IS A CONTROLLED DOCUMENT.		DWN H.HOSHINO 26.APR.'97	TE Connectivity		
DIMENSIONS: mm		CHK J.TANIGAWA 26.APR.'97			
TOLERANCES UNLESS OTHERWISE SPECIFIED:		APVD S.KUBONOHI 10.MAR.'99	NAME		
0 PLC ± - 1 PLC ± - 2 PLC ± - 3 PLC ± - 4 PLC ± - ANGLES ± - FINISH -		PRODUCT SPEC 108-60025	AMP MINI COMMON TERMINATED (CT) CONNECTOR 1.5mm PITCH HOUSING, CRIMP TYPE		
MATERIAL 6 NYLON UL94 V-2		APPLICATION SPEC 114-5245	SIZE A3	CAGE CODE 00779	DRAWING NO C-353908
		WEIGHT	RESTRICTED TO	SCALE NON	SHEET 2 OF 2
		CUSTOMER DRAWING			REV D1

## X-ON Electronics

Largest Supplier of Electrical and Electronic Components

*Click to view similar products for [Headers & Wire Housings](#) category:*

*Click to view products by [TE Connectivity](#) manufacturer:*

Other Similar products are found below :

[892-18-020-10-001101](#) [58102-G61-06LF](#) [582553-1](#) [0009485154](#) [009176003701906](#) [0050291907](#) [LY20-4P-DT1-P1E-BR](#) [02.125.8002.8](#)  
[609-3404](#) [61062-3](#) [61082-181009](#) [622-3653LF](#) [63453-116](#) [636-1030](#) [636-1427](#) [636-3427](#) [636-4007](#) [641938-9](#) [641991-4](#) [644827-2](#) [65817-010LF](#) [65817-015LF](#) [65863-015LF](#) [66207-023LF](#) [67095-007LF](#) [67601157](#) [68645-018](#) [68648-049](#) [70.362.1628.0](#) [70-4210](#) [70-4226B](#) [70-4853B](#) [707-5020](#) [707-5028](#) [71.350.2428.0](#) [71918-208LF](#) [71961-016LF](#) [733-134](#) [733-162](#) [754199-000](#) [760-3052](#) [787-8014-00](#) [79531-3000](#)  
[FCN-360C032-B](#) [FCN-367T-T012/H](#) [FCN-723D010/2](#) [80.063.4001.1](#) [800-90-001-10-001000](#) [800-90-010-10-002000](#) [801-43-002-10-013000](#)