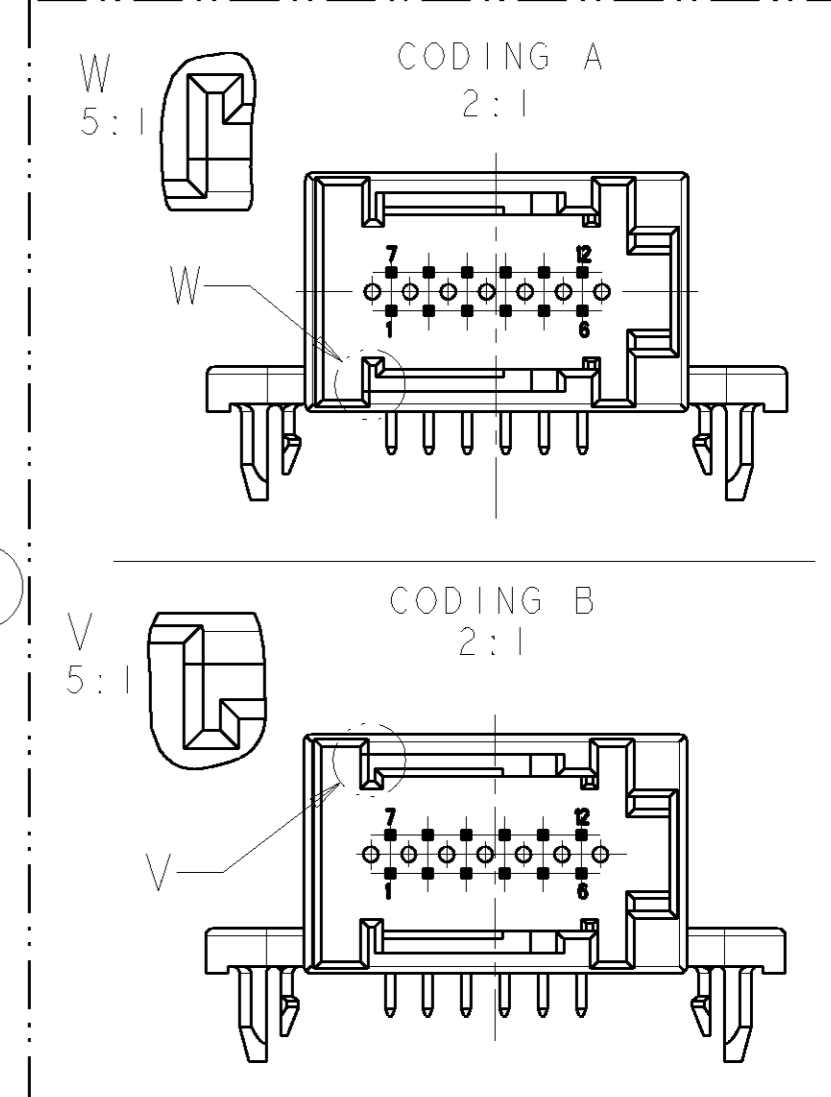
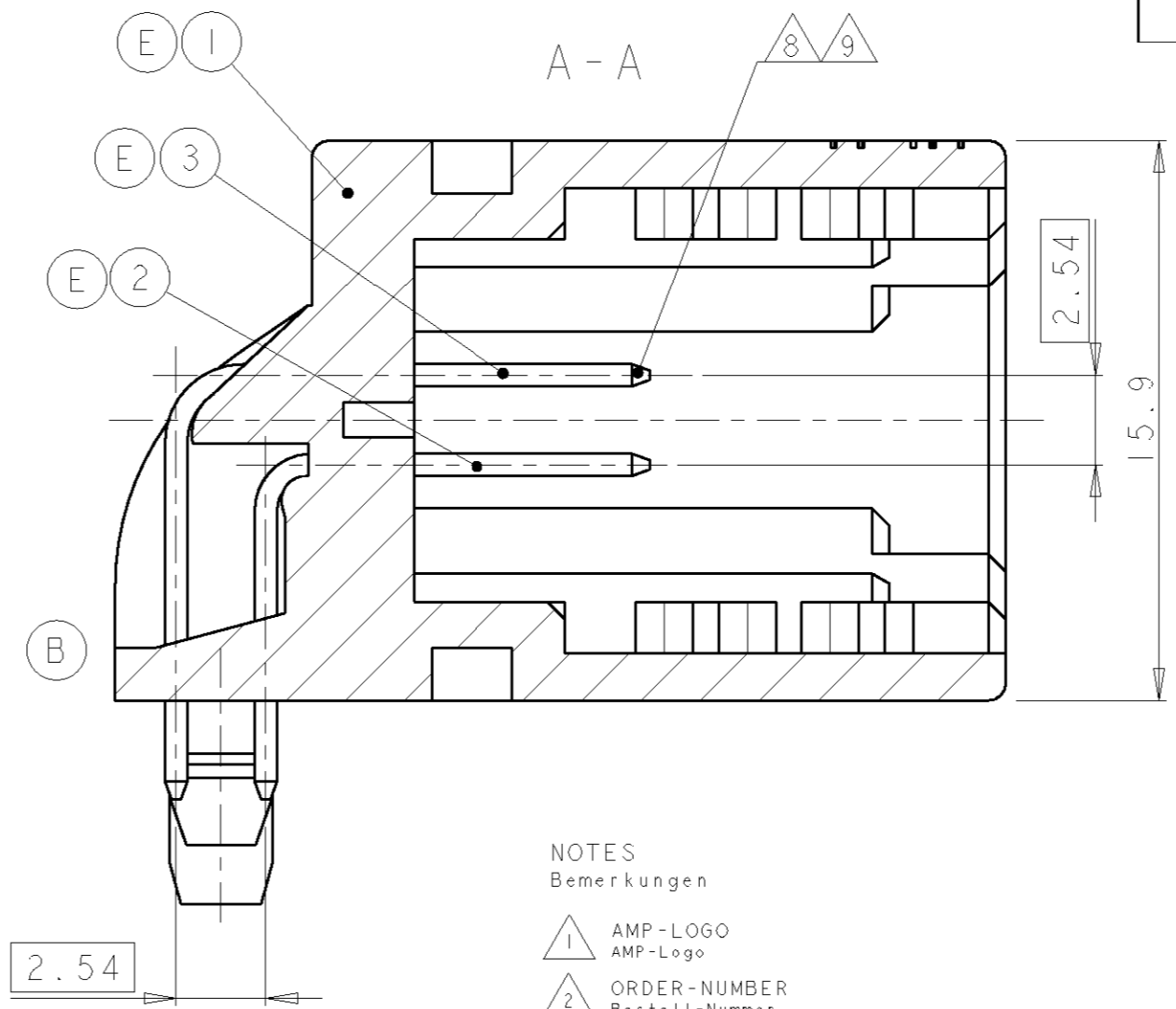
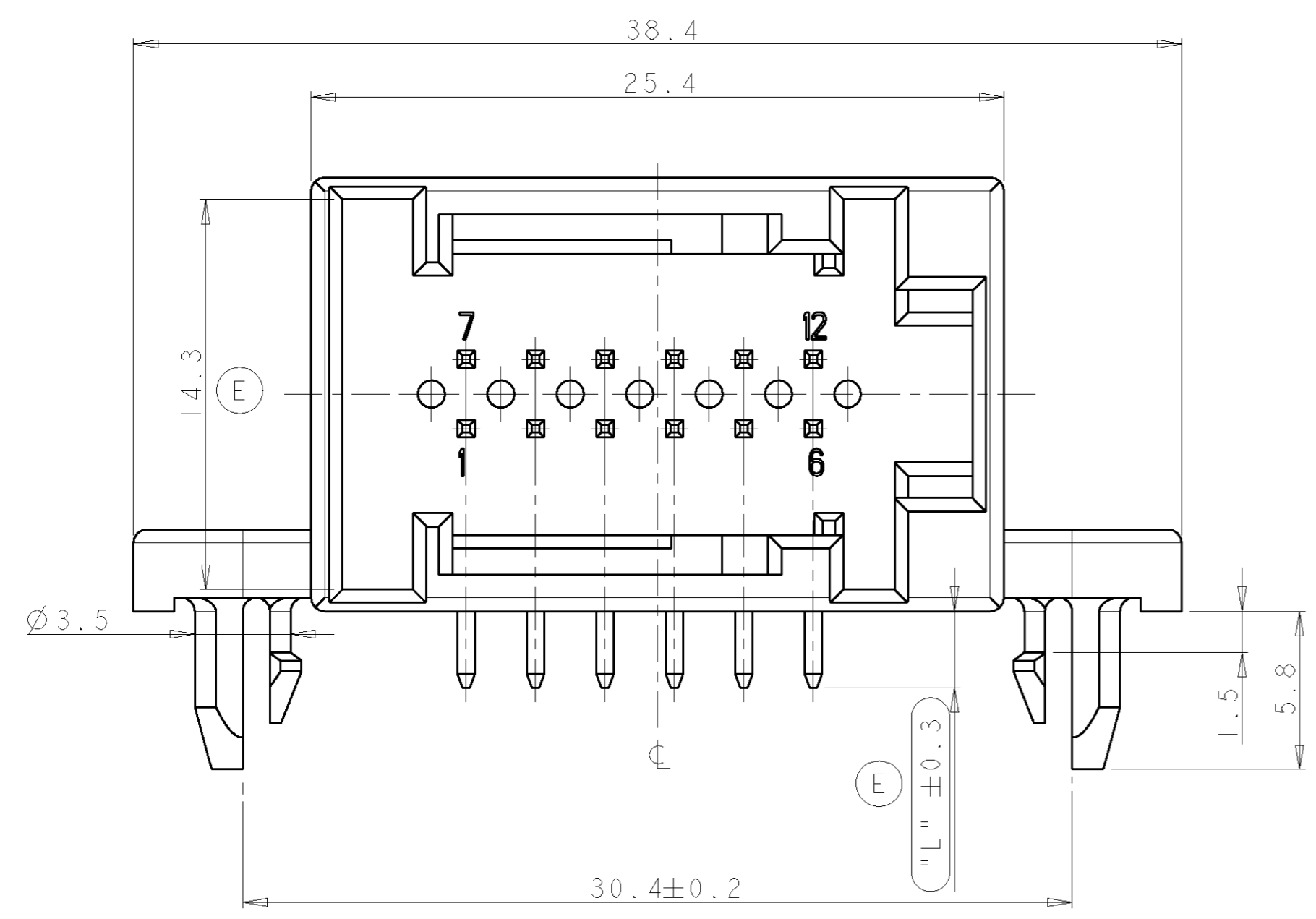


PROJECT NO.  
 B916823  
 A98-52300

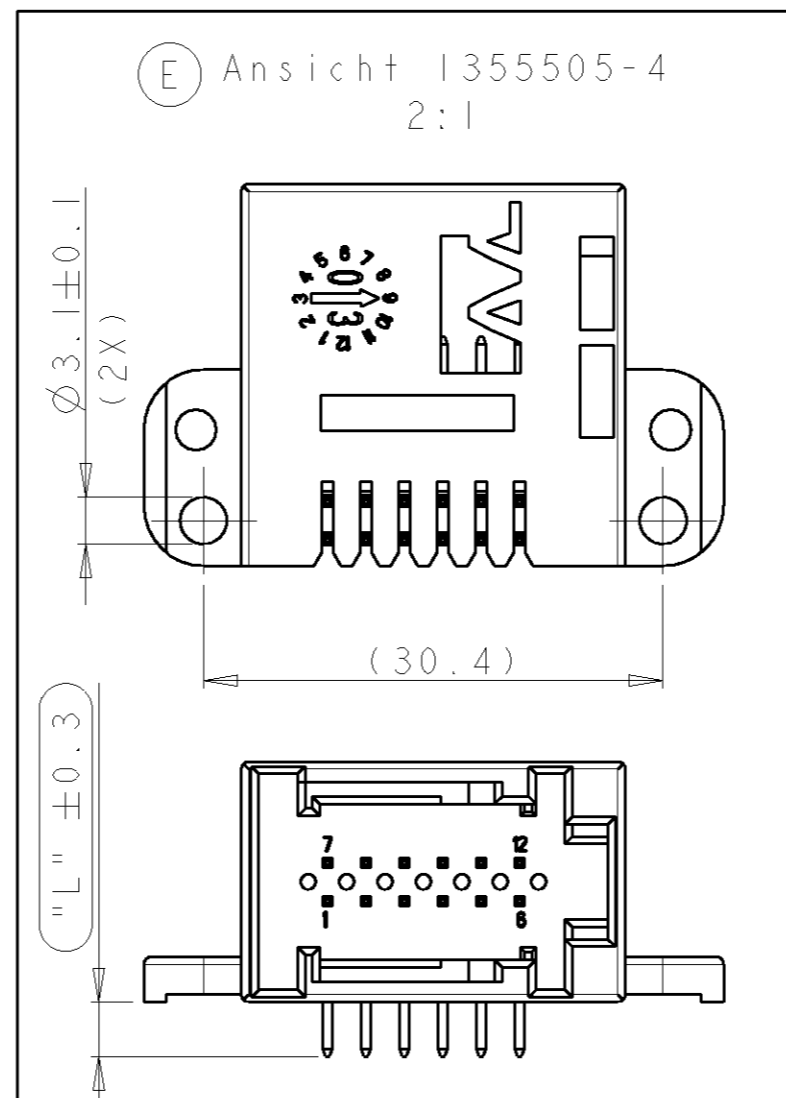
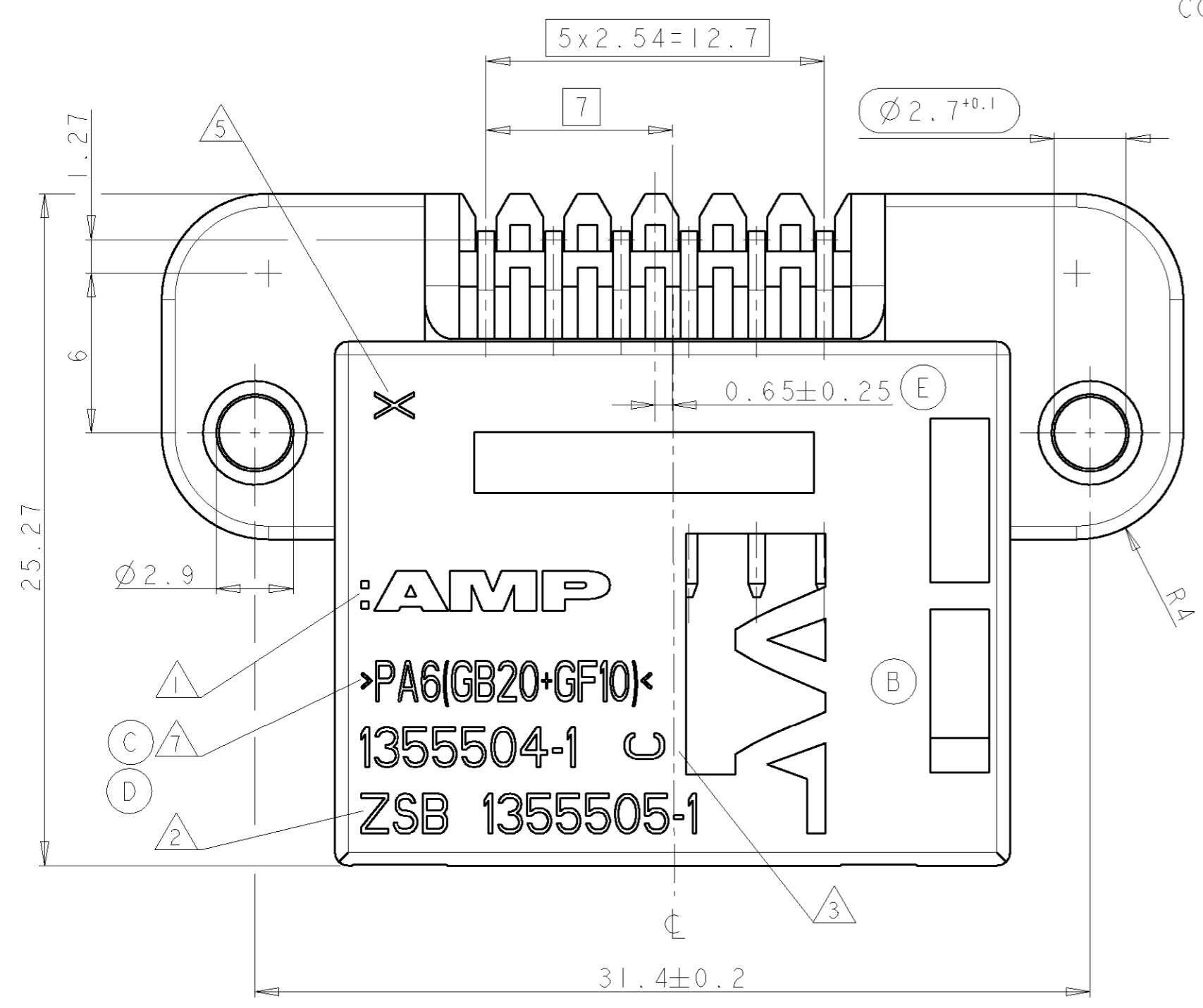
REVISIONS					
P	LTR	DESCRIPTION	DATE	DWN	APVD
D1		SEE PCN EG00-2505-00-1	20OCT2000	REH	VB
D2		SEE PCN EG00-0134-01-2	11JAN2001	REH	VB
E		SEE PCN EG00-0553-03-2	17FEB2003	LN	REH
E1		SEE PCN EG00-1054-03-1	24MAR2003	LN	REH



CODING Z AS DRAWN

- NOTES  
 Bemerkungen
- 1 AMP-LOGO  
AMP-Logo
  - 2 ORDER-NUMBER  
Bestell-Nummer
  - 3 REVISIONS-NUMBER  
Werkzeugänderungsindex
  - 4 -
  - 5 CAVITY MARKING  
Nestmarkierung
  - 6 PACKAGING IN LAYERS ACC. TO AMP-SPEC. 107-18032-300  
Lagenverpackung nach AMP-Spez. 107-18032-300
  - 7 MATERIAL MARKING  
Werkstoffkennzeichnung
  - 8 PIN TIPS ACC. TO TYCO SPEC. 114-18063  
Tabspitzen nach Tyco Spez.
  - 9 ELECTRICAL VALUES ACC. TO 114-18021  
elektrische Werte nach

- MATING WITH  
 Passend zu
- 929051-1 - COVER WITH LEVER
  - 967671-1/-3 - COVER WITH LEVER
  - 968473-1 - MOS SOCKET HSG.



E	1355505-4	A	B	3.6	MODU II PIN	6	CuSn6	TIN PLATED (MIN. THICKN. 2 µm)	3
					MODU II PIN	6	CuFe2	TIN PLATED (MIN. THICKN. 1 µm)	2
E	1355505-3	A	B	2.8	MODU II PIN	6	CuSn6	TIN PLATED (MIN. THICKN. 2 µm)	3
					MODU II PIN	6	CuSn6	TIN PLATED (MIN. THICKN. 2 µm)	2
D	1355505-2	A	A	2.8	MODU II PIN	6	CuSn6	TIN PLATED (MIN. THICKN. 2 µm)	3
					MODU II PIN	6	CuSn6	TIN PLATED (MIN. THICKN. 2 µm)	2
A1	1355505-1	D	Z	2.8	MODU II PIN	6	CuSn6	TIN PLATED (MIN. THICKN. 2 µm)	3
					MODU II PIN	6	CuSn6	TIN PLATED (MIN. THICKN. 2 µm)	2
C	Assy No.	Rev. Cod.	"L"	Description	Pcs.	Material	Surface Finish	No.	

THIS DRAWING IS A CONTROLLED DOCUMENT FOR TYCO ELECTRONICS CORPORATION. IT IS SUBJECT TO CHANGE AND THE CONTROLLING ENGINEERING ORGANIZATION SHOULD BE CONTACTED FOR THE LATEST REVISION.

DWN: M. Reinhardt 17MA199  
 CHK: M. Reinhardt 19MAY99  
 APVD: -

AMP Deutschland GmbH  
 D - 63225 Langen

NAME: 12POS. MOS PIN HEADER 90°, ASSY  
 12pol.MOS Stiftleiste 90°, Assy

PRODUCT SPEC: 108-18671-0  
 APPLICATION SPEC: 114-18314-0

SIZE: A2  
 CAGE CODE: 00779  
 DRAWING NO: 1355505  
 RESTRICTED TO: -

CUSTOMER DRAWING  
 SCALE: 5:1  
 SHEET: 1 OF 1  
 REV: E1

## X-ON Electronics

Largest Supplier of Electrical and Electronic Components

*Click to view similar products for [Automotive Connectors](#) category:*

*Click to view products by [TE Connectivity](#) manufacturer:*

Other Similar products are found below :

[003-018-000](#) [60403001](#) [60993906-B](#) [M902-2131](#) [M902-2161](#) [72.330.1035.1](#) [73.353.4028.0](#) [F119300-B](#) [F166900](#) [F258300-B](#) [F358300-B](#)  
[F407400](#) [F444110](#) [F487000](#) [F509500B-B](#) [827153-1](#) [8N1515-32-24P](#) [9-1326729-8](#) [925474-1](#) [928905-1](#) [964562-4](#) [968782-1](#) [GT17SA-8DS-](#)  
[HU](#) [98891-1012](#) [98947-1016](#) [12004147](#) [12004475-L](#) [12010290](#) [12010309-B](#) [12015454](#) [12020219-B](#) [12020308](#) [12041318-B](#) [12052225-L](#)  
[12052466](#) [12059125](#) [12064869](#) [12004327-B](#) [12010503-B](#) [12015308](#) [12015384](#) [12015909](#) [1-21030-1](#) [12041254](#) [12041318](#) [12047946-B](#)  
[12047957](#) [12047957-L](#) [12059473](#) [12066261](#)