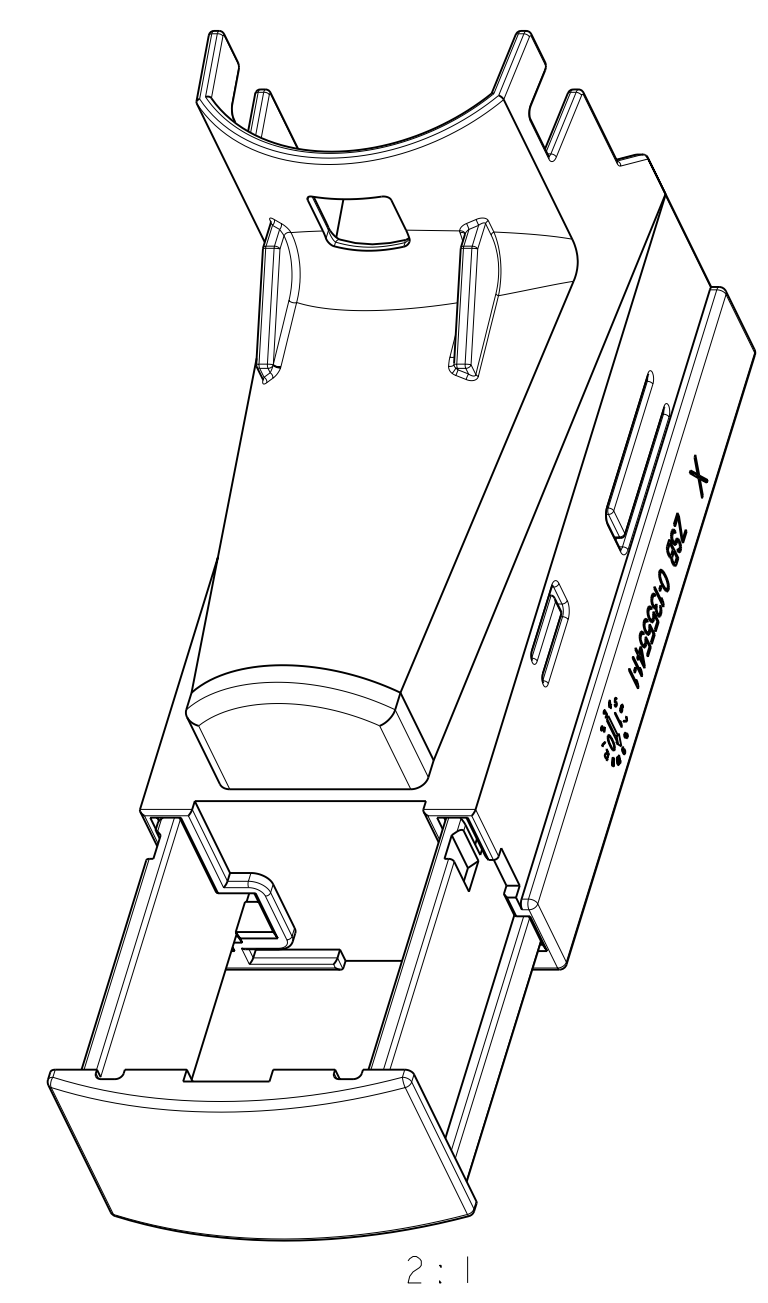
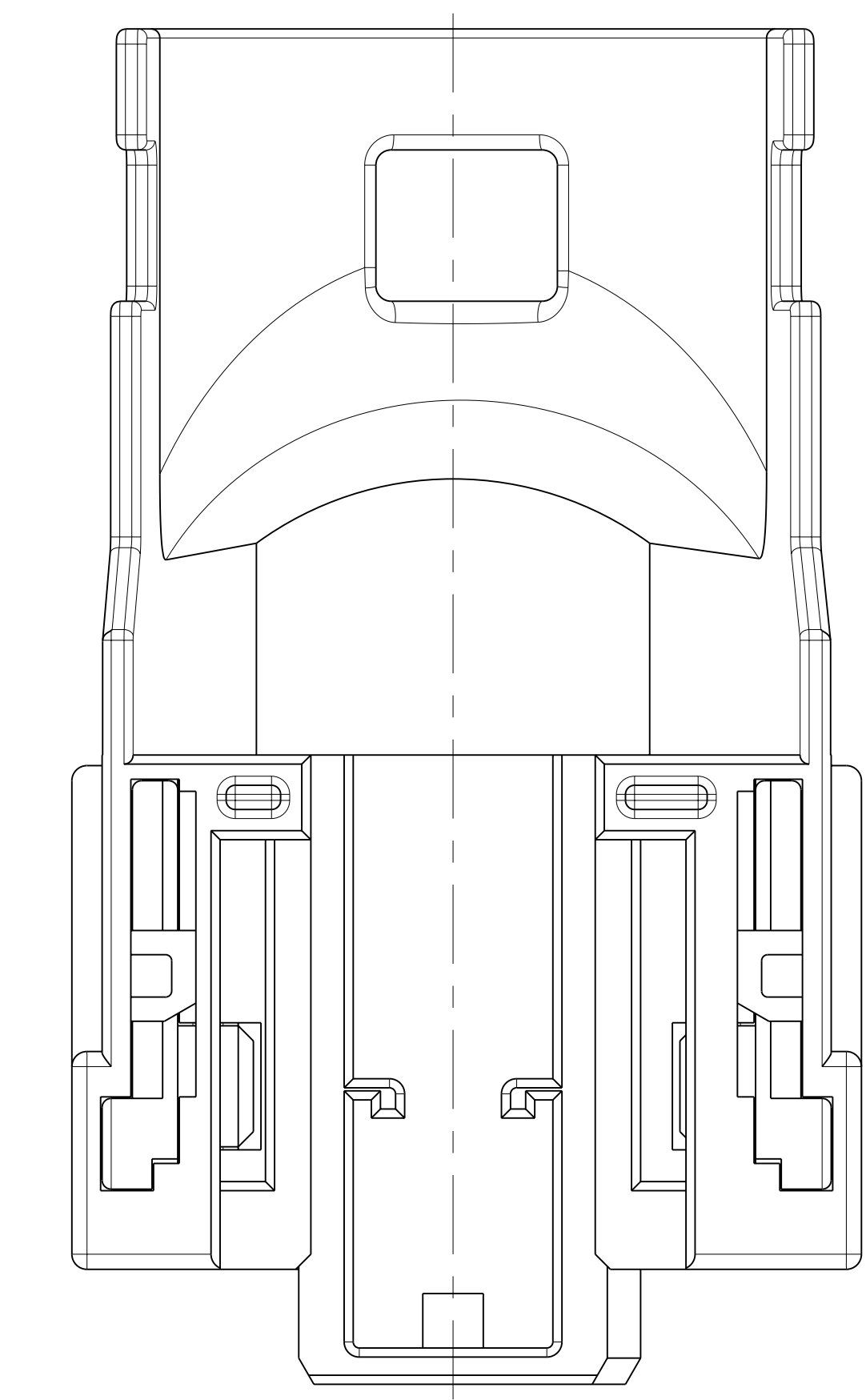
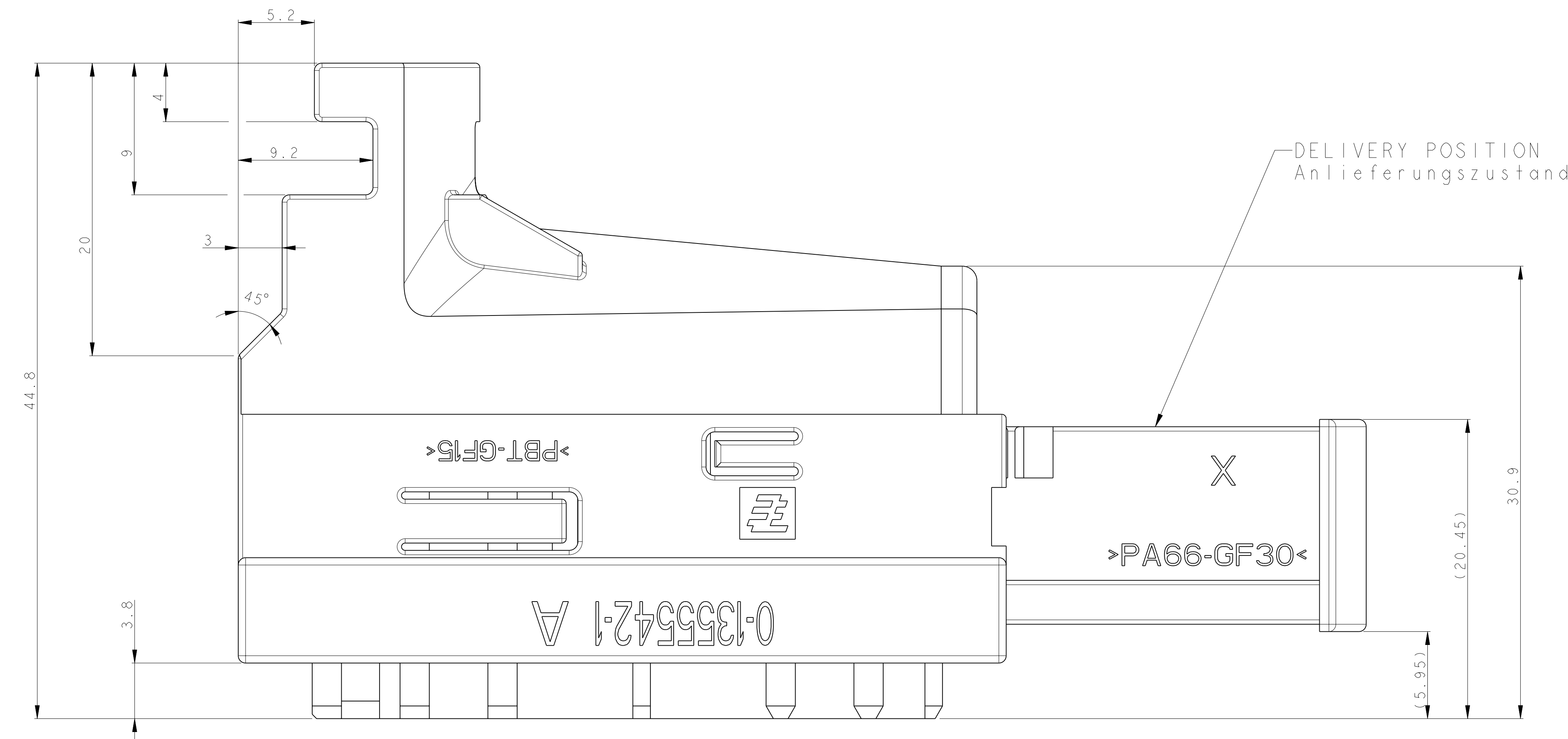
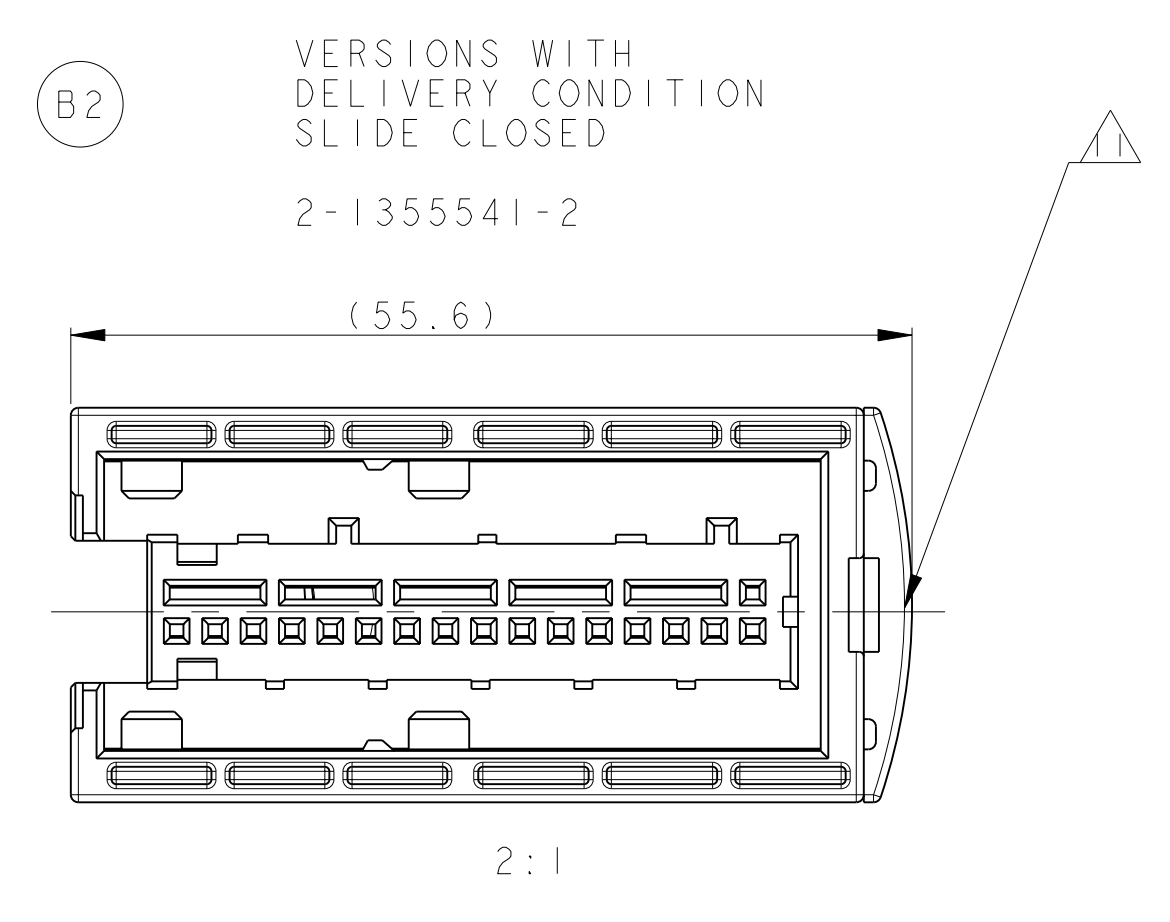
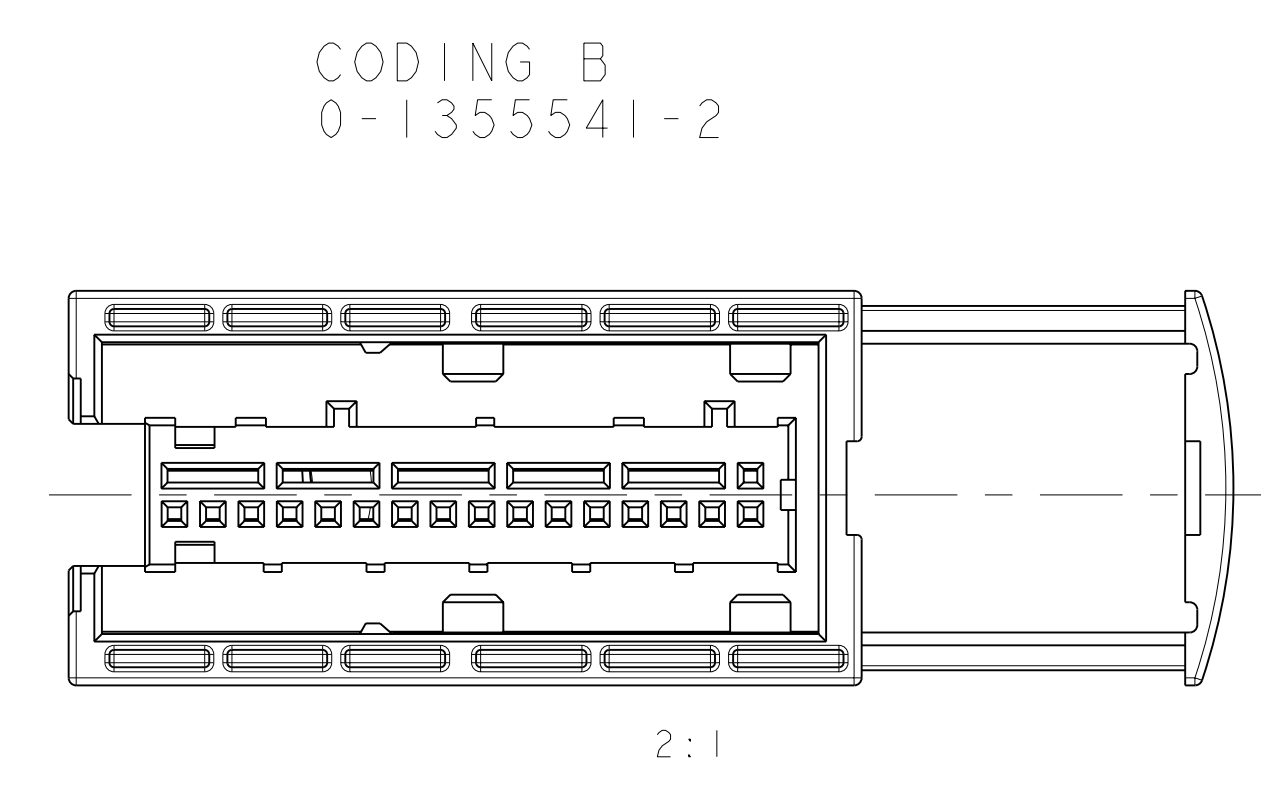
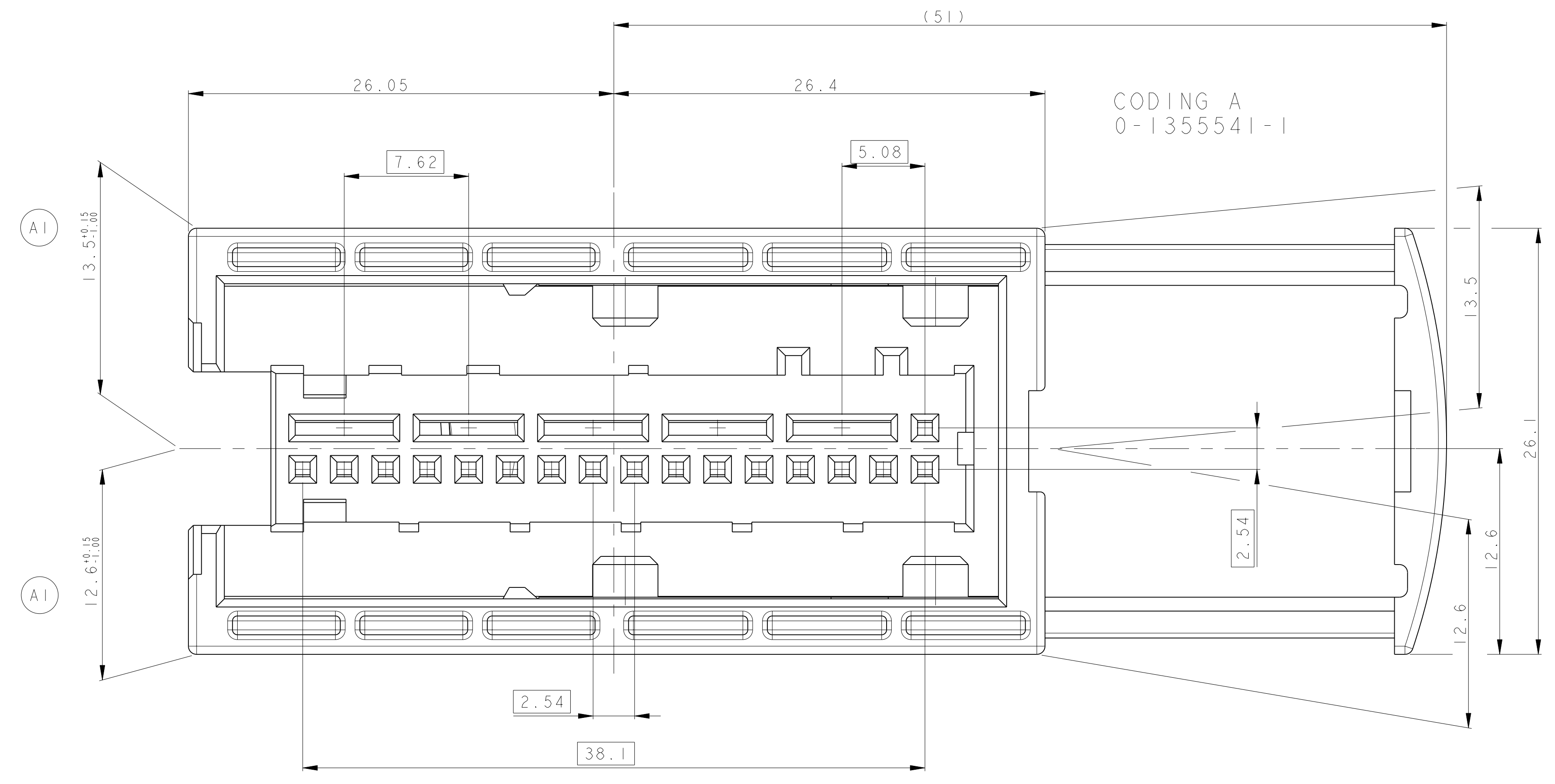
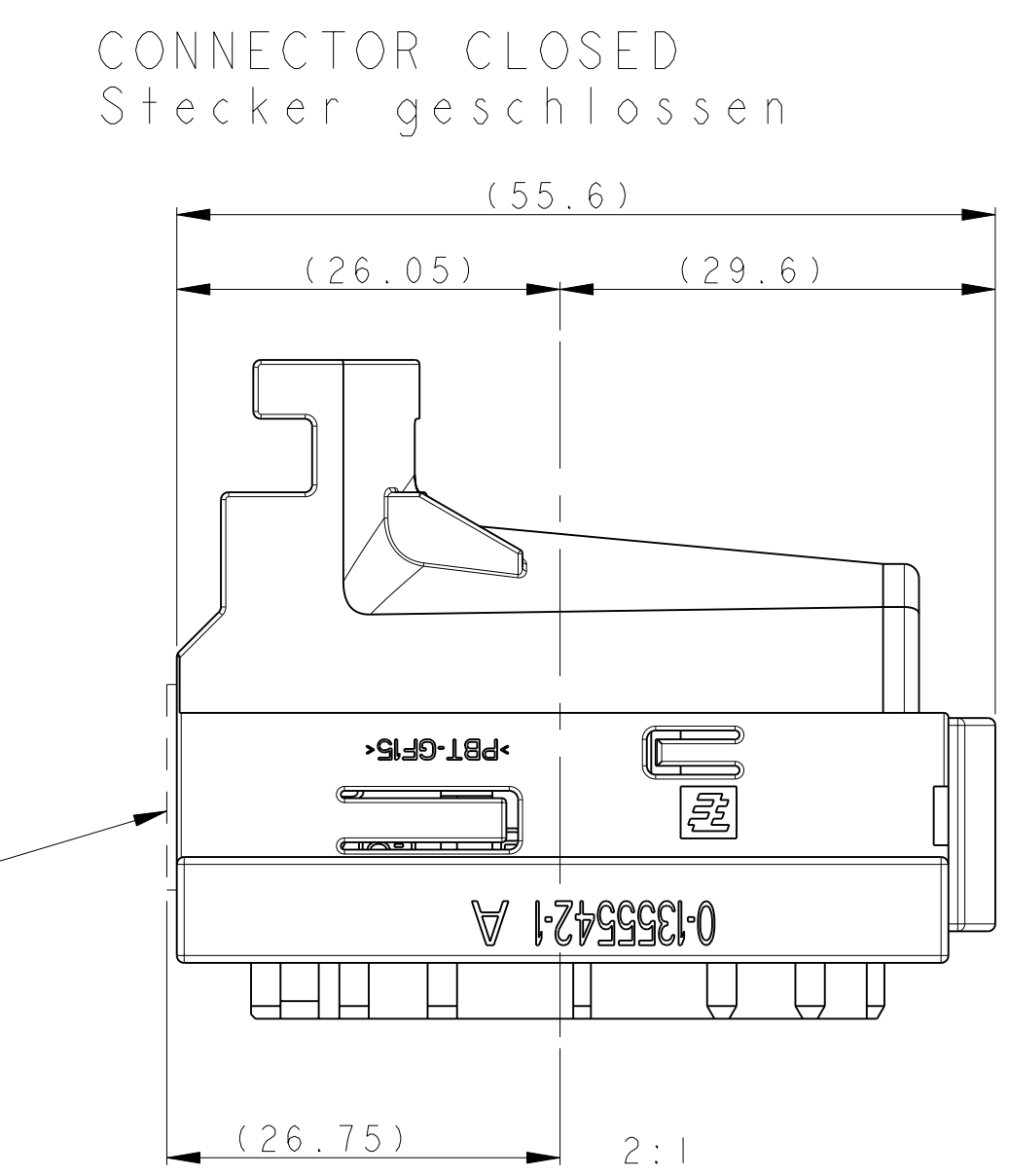
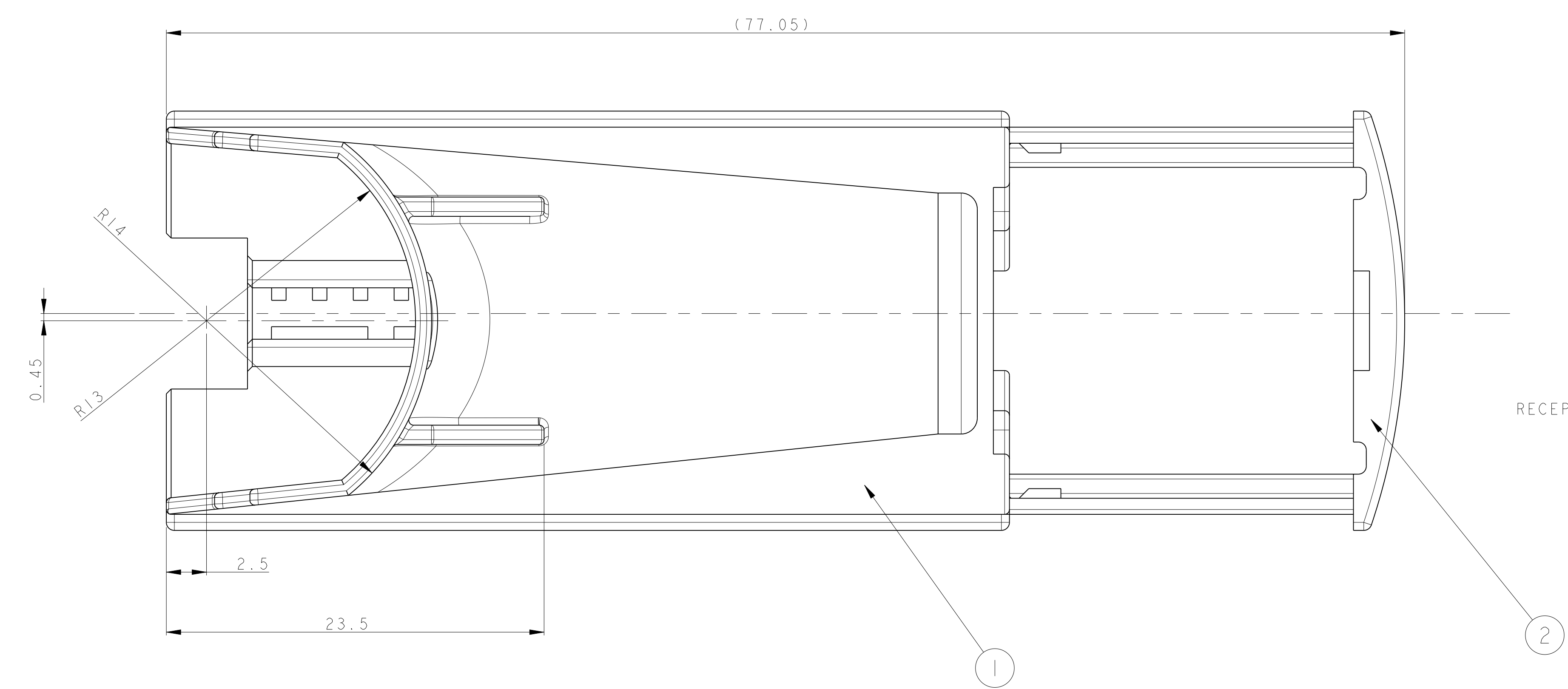


PROJEKT NO.		REVISONS	
A98-52279 B916704		DATE	APPD
B3	SEE E-08-24812	23OCT08	HSCB AK
B4	SEE E-09-023384	14JAN10	FU HS



0-1355589-1	32POS MODULI PINHEADER, 90° VERSION, RIGHT, COD A
	32POS MODULI PINHEADER, 90° VERSION, LEFT, COD A
0-1355587-1/-2	5xTAB5.2mm+2xMODULI PINHEADER, 180° VERSION, COD A AND B
0-1241725-1	5xPO+2xMOS RECEPTACLE HOUSING
0-1241724-1	32POS MOS RECEPTACLE HOUSING
114-18079	INTERFACEDRAWING FOR 5xPO+2xMOS CONNECTOR
114-18078	INTERFACEDRAWING FOR 32POS MOS CONNECTOR
NUMBER	DESCRIPTION
COUNTERPARTS	BESCHREIBUNG
GEGENSTECKER	



- NOTES  
Bemerkungen
- B4 AMP or TE-LOGO
  - AMP or TE-Logo
  - ORDER-NUMBER
  - Bestell-Nummer
  - REVISIONS-NUMBER
  - Werkzeugänderungsindex
  - GM-LOGO
  - GM-Logo
  - CAVITY MARKING
  - Nestmarkierung
  - CUSTOMER SIGN
  - Kunden-Kurzzeichen
  - PACKAGE: IN LAYERS IN CARTON
  - Verpackung: Teile lageweise im Karton
  - MATERIAL MARKING
  - Werkstoffkennzeichnung
  - PRODUCTION-DATE
  - Produktions-Datum
  - SPECIAL PACKAGE FOR RUDE TRANSPORT: 180 PIECES IN LAYERS IN CARTON
  - Spezialverpackung fuer rauhen Transport: 180 Teile lageweise im Karton
  - BEFORE MATING WITH COUNTERPART MOVE SLIDE IN PRELOCK-POSITION
  - Vor dem Stecken auf das Gegenstück zuerst den Schieber in Vorraststellung schieben

REV	QTY	DESCRIPTION	MATERIAL	SURFACE	WEIGHT	ITEM
BEZ	ST	BESCHREIBUNG		COLOR	GEWICHT [g]	NO
B2	1	SLIDE	PA66-GF 30	RED	-	
B3	1	COVER CODING B	PBT-GF 15	BLUE	-	
B1	1	SLIDE	PA66-GF 30	RED	-	
B1	1	COVER CODING A	PBT-GF 15	BLACK	-	
B1	1	SLIDE	PA66-GF 30	RED	-	
B1	1	COVER CODING B	PBT-GF 15	BLUE	-	
B1	1	SLIDE	PA66-GF 30	RED	3,4	2
B1	1	COVER CODING A	PBT-GF 15	BLACK	12,1	1

TYCO ELECTRONICS CORPORATION  
 DIMENSIONS: DIMENSIONS IN MILLIMETERS UNLESS OTHERWISE SPECIFIED  
 DATE: 11 JUN 99  
 DRAWN BY: H. Schmitt  
 CHECKED BY: H. Schmitt  
 APPROVED BY: TBAPROD  
 PRODUCT SPEC: AMP  
 APPLICATION SPEC: AMP  
 MATERIAL: PBT-GF 15  
 FINISH: -  
 WEIGHT: 15,5 g  
 CUSTOMER DRAWING: A000779  
 SCALE: 5:1  
 SHEET: 1 OF 1  
 REV: B4

## X-ON Electronics

Largest Supplier of Electrical and Electronic Components

*Click to view similar products for [Automotive Connectors](#) category:*

*Click to view products by [TE Connectivity](#) manufacturer:*

Other Similar products are found below :

[003-018-000](#) [60403001](#) [60993906-B](#) [M902-2131](#) [M902-2161](#) [M902-2344](#) [72.330.1035.1](#) [73.353.4028.0](#) [F119300-B](#) [F166900](#) [F258300-B](#)  
[F358300-B](#) [F407400](#) [F444110](#) [F487000](#) [F509500B-B](#) [827153-1](#) [8N1515-32-24P](#) [9-1326729-8](#) [925474-1](#) [928905-1](#) [964562-4](#) [968782-1](#)  
[GT17SA-8DS-HU](#) [98891-1012](#) [98947-1016](#) [12004147](#) [12004475-L](#) [12010290](#) [12010309-B](#) [12015454](#) [12020219-B](#) [12041318-B](#) [12052225-](#)  
[L](#) [12052466](#) [12064869](#) [12004327-B](#) [12015308](#) [12015384](#) [12015909](#) [1-21030-1](#) [12041254](#) [12041318](#) [12047946-B](#) [12047957](#) [12047957-L](#)  
[12059473](#) [12066261](#) [12110546](#) [12110546-B](#)