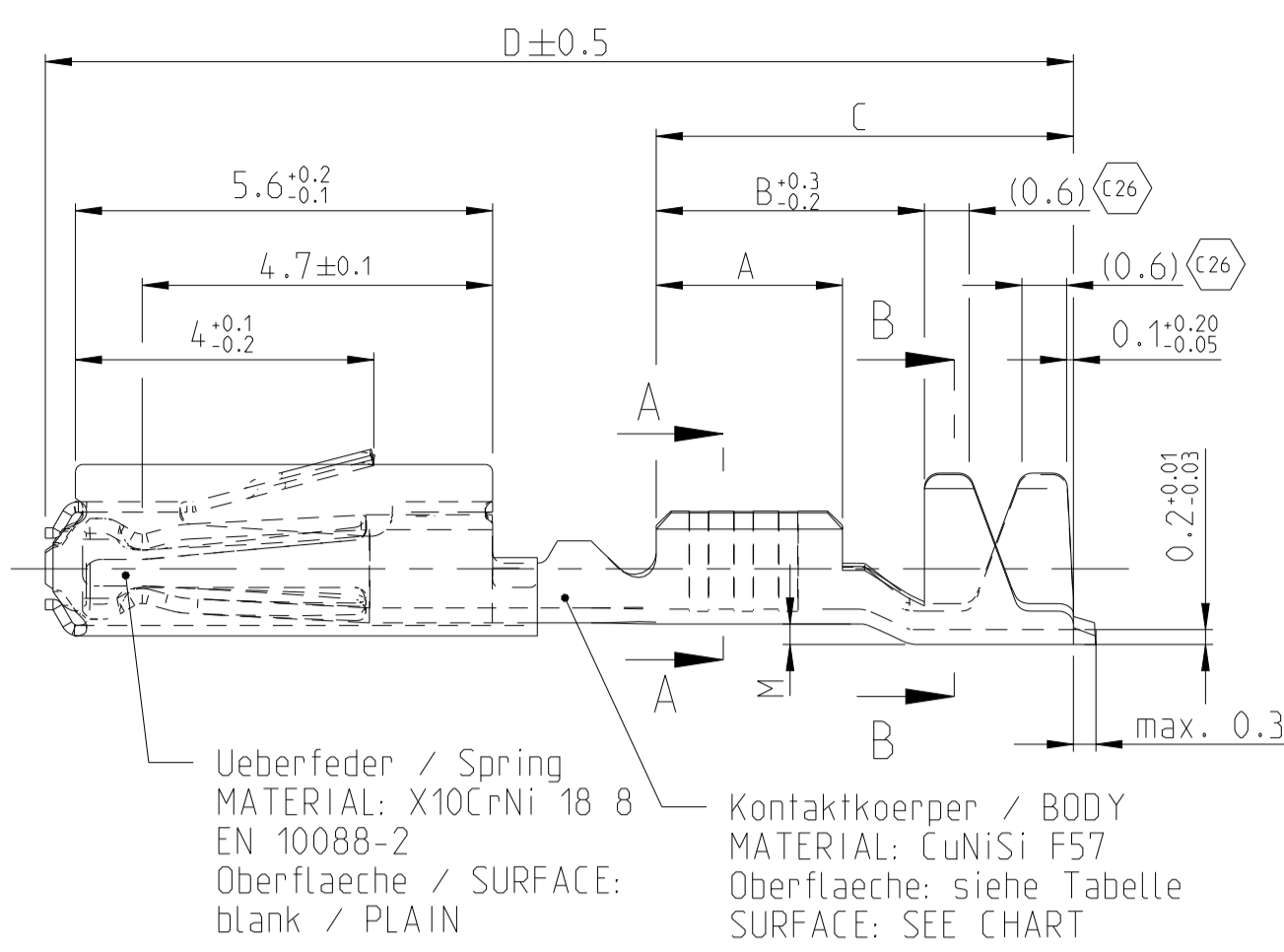
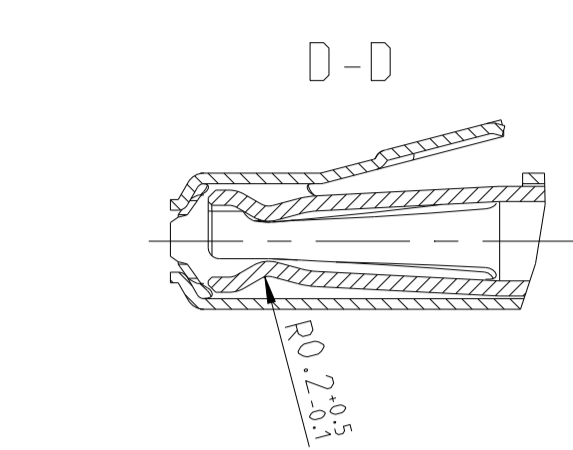
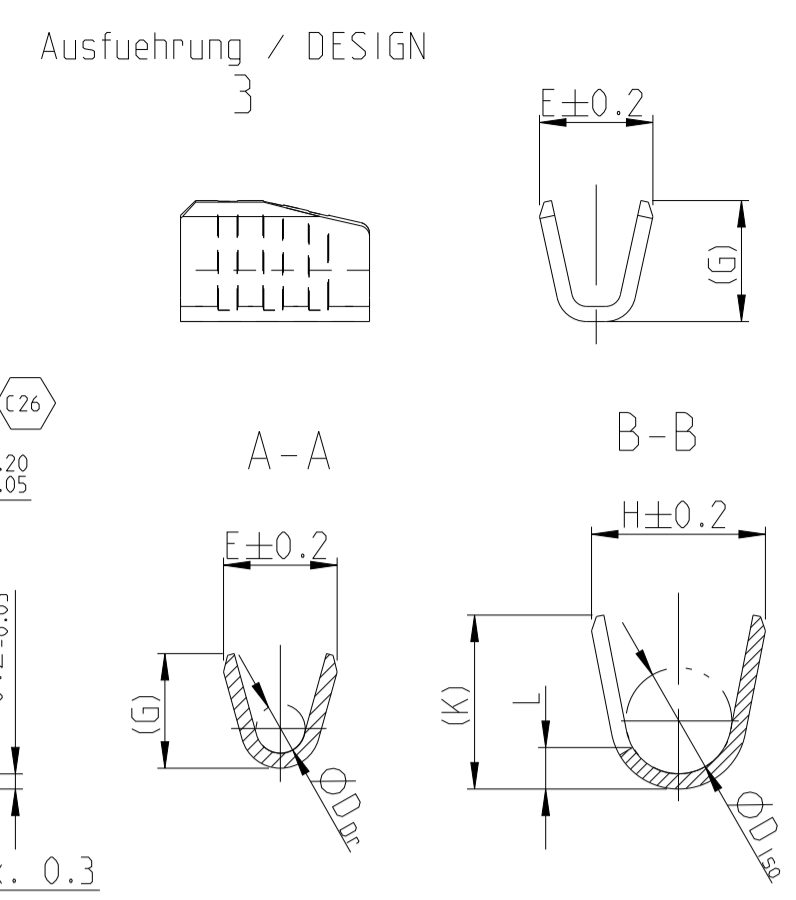


Normale Anwendung
 USUAL APPLICATION

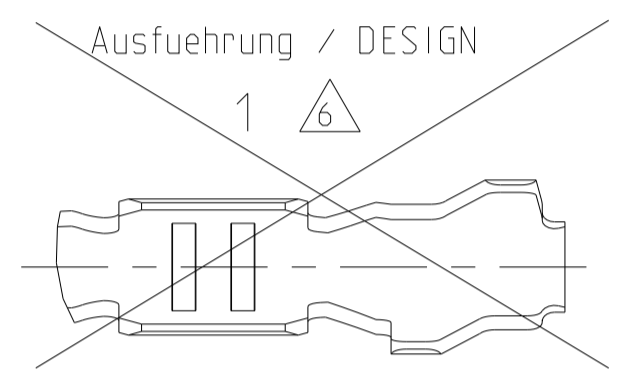
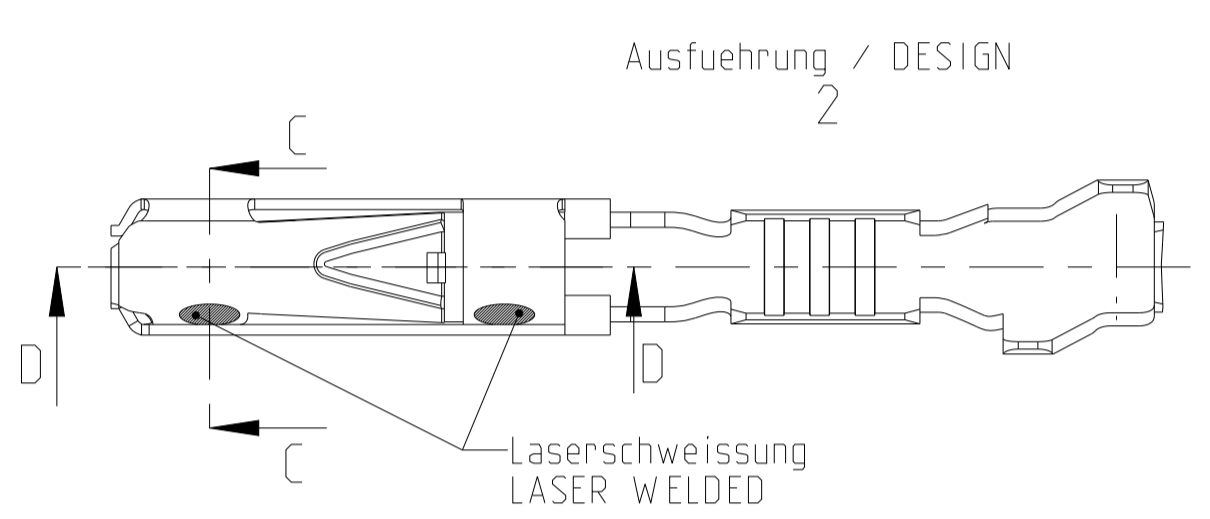
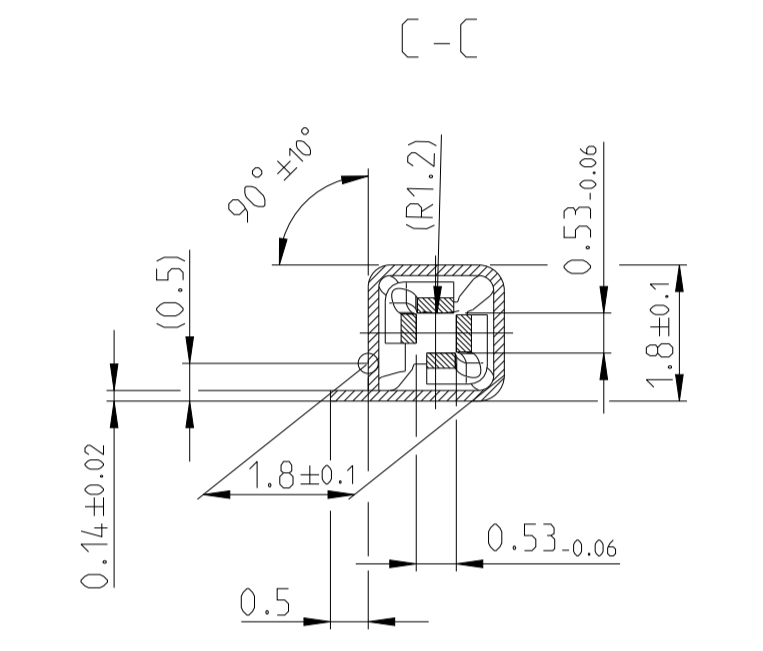
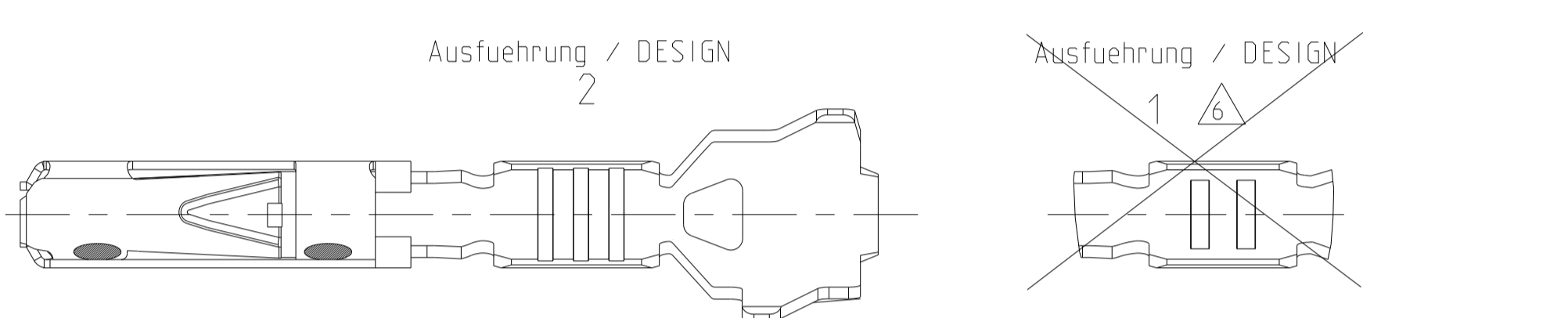
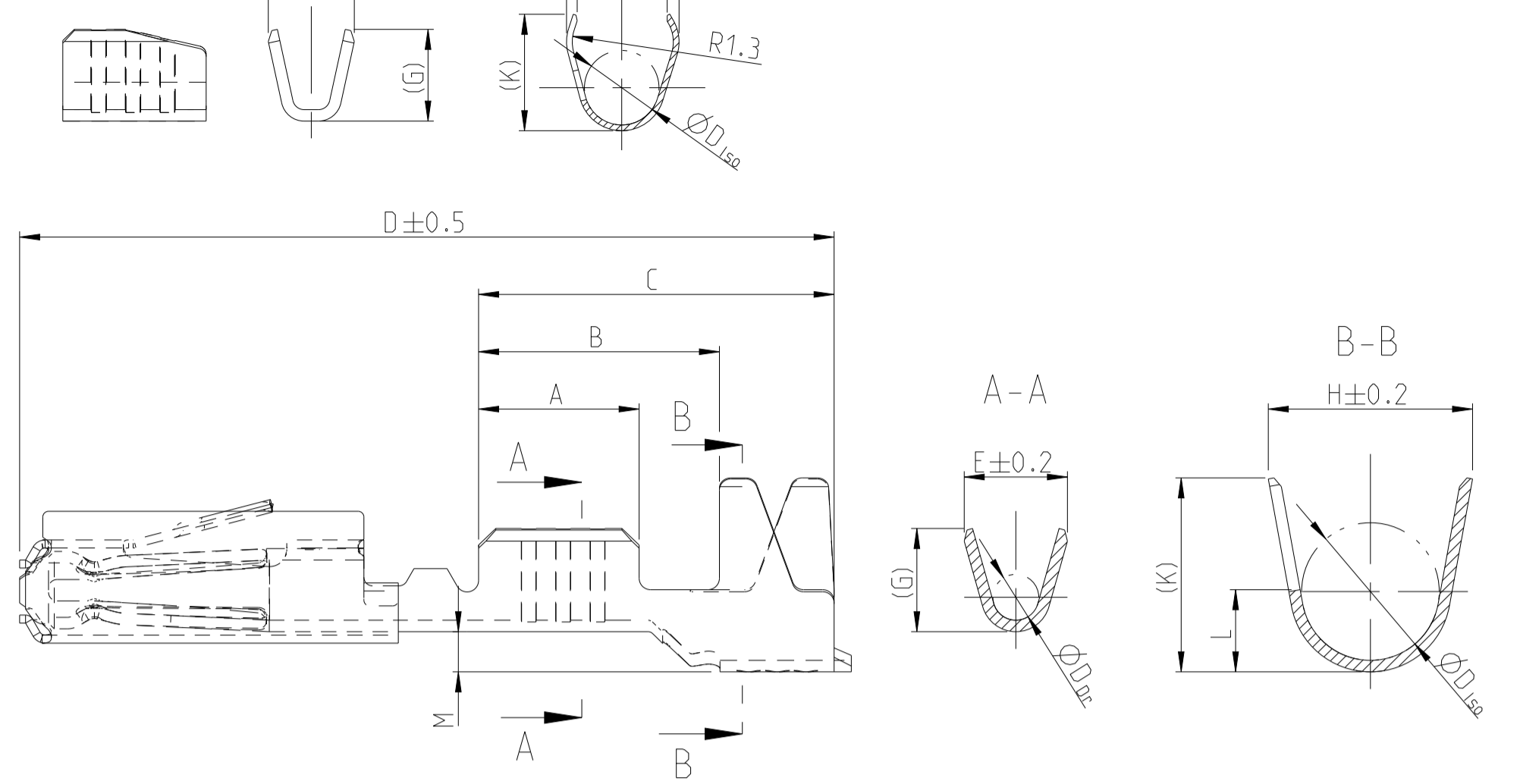


Ueberfeder / Spring
 MATERIAL: X10CrNi 18 8
 EN 10088-2
 Oberflaeche / SURFACE:
 blank / PLAIN

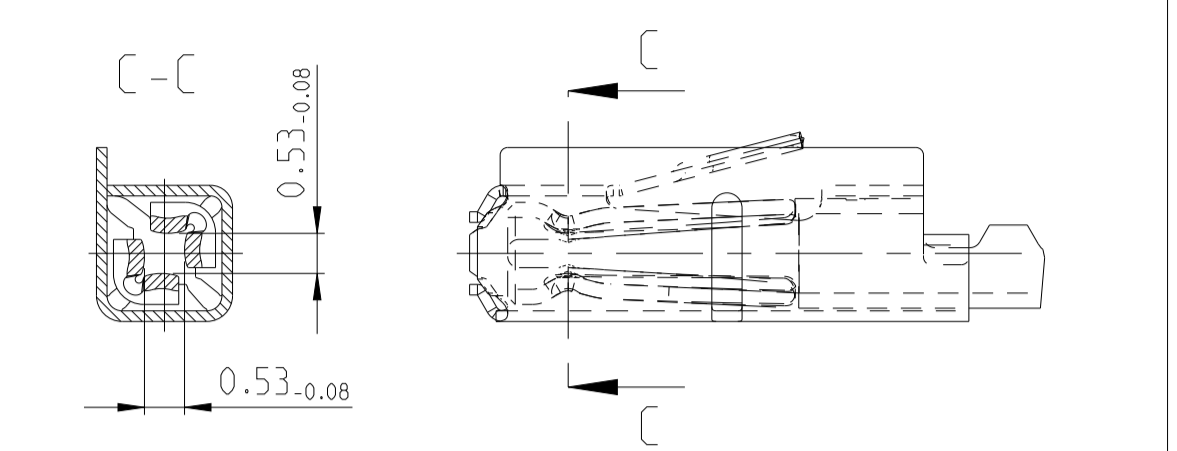
Kontaktkoerper / BODY
 MATERIAL: CuNiSi F57
 Oberflaeche: siehe Tabelle
 SURFACE: SEE CHART



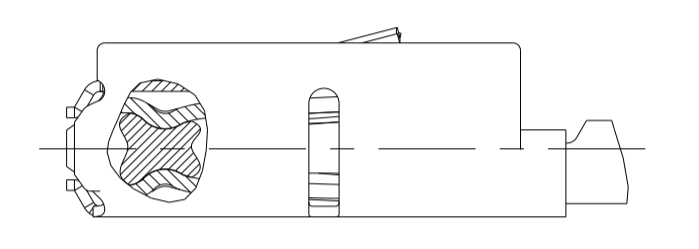
Ausfuehrung / DESIGN 3
 Einzeldichtungssystem
 SINGLE WIRE SEAL SYSTEM



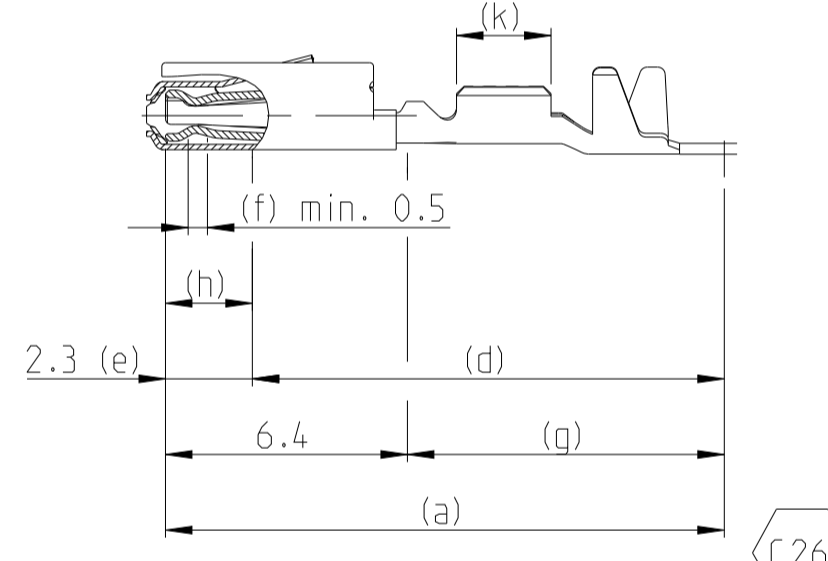
versilberte/vergoldete Ausfuehrung
 SILVER/GOLD VERSION



GEL VERSION



Oberflaeche / FINISH



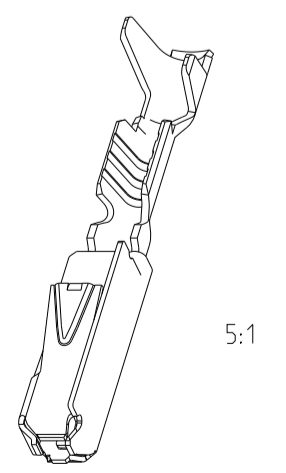
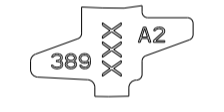
Sn: verzinnete Ausfuehrung
 TINNED
 (a) Kontaktkoerper: 0.8 - 2 µm Sn
 BODY: 0.8 - 2 µm Sn

Ag: versilbert
 SILVER
 (e) min. 0.3 µm Ag
 (f) min. 2.8 µm Ag INSIDE
 min. 2.8 µm Ag innen
 (g) min. 0.2 µm Sn
 (k) min. 0.8 - 2 µm Sn

Au (galvanisch): galvanisch vergoldet
 GOLD-ELECTROPLATED
 (d) 0.05-1 µm Ni, beidseitig
 0.05-1 µm Ni, ON BOTH SIDES
 (e) 1-3 µm Ni, beidseitig
 1-3 µm Ni, ON BOTH SIDES
 (f) min. 1.8 µm Au ueber (e), innen
 MIN. 1.8 µm Au OVER (e), INSIDE
 (g) min. 0.2 µm Sn ueber (d), beidseitig
 MIN. 0.2 µm Sn OVER (d), ON BOTH SIDES
 (h) Au galvanisch auslaufend
 Au OVERPLATING
 (k) min. 0.8 - 2.0 µm Sn

Bemerkungen

- Datumscode (Woche/Jahr z.B. KW 38/Jahr2009) und TE-Revision (z.B. Rev.A) DATE CODE (WEEK/YEAR E.G. WEEK NUMBER 38/YEAR2009) AND TE REVISION (E.G. REV. A)
- Passend zu Stiftkontakt siehe Zeichnung 929453 SUITABLE FOR PIN CONTACT SEE DRAWING 929453
- Einzelheiten der Ausfuehrung bleiben dem Hersteller ueberlassen DETAILS OF DESIGN ARE LEFT TO MANUFACTURER
- Nur fuer FLR-Leitung nach DIN 72551 Teil 6 FOR FLR-CONDUCTOR ACCORDING TO DIN 72551-6 ONLY
-
- nicht fuer Neuanwendung NOT FOR NEW APPLICATION
- zugverstaerkte Leitung nach LV 112-4 REINFORCED WIRE ACCORDING LV 112-4
- Bei doppelt fallenden Werkzeugen wird die erste Ueberfeder mit einer Kennzeichnung "-" versehen WITH DOUBLE OUT DIES THE FIRST SPRING WILL BE PROVIDED WITH AN INDICATION "-"
- Varianten von Design1 werden durch die entsprechenden Versionen von Design2 ersetzt VARIANTS OF DESIGN1 ARE SUPERSEDED BY CORRESPONDING VERSIONS OF DESIGN2



Part No.	Material	Finish	Dimensions	Surface	Length	Wire Crimp	Insulation	Weight	Notes
6-965906-5	Au-Gel	A = 2.8, B = 4.2, C = 6.2, D = 14.3, M = 0.7	E = 2, G = 2.1, H = 3.5, K = 3.4, L = 1.5, D ₁₅₀ = 2.4	0.13	0.75	1.4-1.9	967067-1 (gruen GREEN)	963142-1 (schwarz BLACK)	114-18025
5-965906-6	Ag	A = 2.5, B = 3.9, C = 5.9, D = 14, M = 0.7	E = 1.8, G = 1.8, H = 3.5, K = 3.4, L = 1.5, D ₁₅₀ = 2.4	0.13	0.35	0.9-1.4	967067-2 (gelb YELLOW)	963142-2 (grau GREY)	114-18021
5-965906-5	Au	A = 2.5, B = 4.3, C = 6.2, D = 14.2, M = 0.6	E = 1.5, G = 1.4, H = 4, K = 3.9, N = 3.1, D ₁₅₀ = 2.6	0.1	0.13	0.85-1.25	967067-2 (gelb YELLOW)	963142-2 (grau GREY)	114-18021
5-965906-1	Sn	A = 2.5, B = 3.9, C = 5.9, D = 14, M = 0.7	E = 1.5, G = 1.4, H = 4, K = 3.9, N = 3.1, D ₁₅₀ = 2.6	0.1	0.17	0.85-1.25	967067-2 (gelb YELLOW)	963142-2 (grau GREY)	114-18021
5-962885-6	Ag	A = 2.5, B = 3.9, C = 5.9, D = 14, M = 0.7	E = 1.8, G = 1.8, H = 3.5, K = 3.4, L = 1.5, D ₁₅₀ = 2.4	0.11	0.50-0.75				
5-962885-5	Au	A = 2.5, B = 3.9, C = 5.9, D = 14, M = 0.7	E = 1.8, G = 1.8, H = 3.5, K = 3.4, L = 1.5, D ₁₅₀ = 2.4	0.11	0.25-0.35				
5-962885-1	Sn	A = 2.5, B = 3.9, C = 5.9, D = 14, M = 0.7	E = 1.8, G = 1.8, H = 3.5, K = 3.4, L = 1.5, D ₁₅₀ = 2.4	0.11	0.13 / 0.17				
2141826-6	Ag	A = 2.5, B = 4.3, C = 6.2, D = 14.2, M = 0.6	E = 1.5, G = 1.4, H = 4, K = 3.9, N = 3.1, D ₁₅₀ = 2.6	0.1	0.13	0.85-1.25	967067-2 (gelb YELLOW)	963142-2 (grau GREY)	114-18021
2141826-5	Au	A = 2.5, B = 4.3, C = 6.2, D = 14.2, M = 0.6	E = 1.5, G = 1.4, H = 4, K = 3.9, N = 3.1, D ₁₅₀ = 2.6	0.1	0.17	0.85-1.25	967067-2 (gelb YELLOW)	963142-2 (grau GREY)	114-18021
2141826-1	Sn	A = 2.5, B = 4.3, C = 6.2, D = 14.2, M = 0.6	E = 1.5, G = 1.4, H = 4, K = 3.9, N = 3.1, D ₁₅₀ = 2.6	0.1	0.17	0.85-1.25	967067-2 (gelb YELLOW)	963142-2 (grau GREY)	114-18021
6-963715-5	Au-Gel	A = 2.8, B = 3.8, C = 5.6, D = 13.7, M = 0.2	E = 2, G = 2.1, H = 2.7, K = 2.9, L = 0.7, D ₁₅₀ = 1.6	0.11	0.50-0.75				
5-963715-6	Ag	A = 2.5, B = 3.6, C = 5.4, D = 13.7, M = 0.2	E = 1.8, G = 1.8, H = 2.3, K = 2.3, L = 0.6, D ₁₅₀ = 1.4	0.11	0.25-0.35				
5-963715-5	Au	A = 2.5, B = 3.6, C = 5.4, D = 13.7, M = 0.2	E = 1.8, G = 1.8, H = 2.3, K = 2.3, L = 0.6, D ₁₅₀ = 1.4	0.11	0.13 / 0.17				
5-963715-1	Sn	A = 2.5, B = 3.6, C = 5.4, D = 13.7, M = 0.2	E = 1.8, G = 1.8, H = 2.3, K = 2.3, L = 0.6, D ₁₅₀ = 1.4	0.11	0.08-0.22				
6-928999-5	Au-Gel	A = 2.8, B = 3.8, C = 5.6, D = 13.7, M = 0.2	E = 2, G = 2.1, H = 2.7, K = 2.9, L = 0.7, D ₁₅₀ = 1.6	0.11	0.50-0.75				
5-928999-6	Ag	A = 2.5, B = 3.6, C = 5.4, D = 13.7, M = 0.2	E = 1.8, G = 1.8, H = 2.3, K = 2.3, L = 0.6, D ₁₅₀ = 1.4	0.11	0.25-0.35				
5-928999-5	Au	A = 2.5, B = 3.6, C = 5.4, D = 13.7, M = 0.2	E = 1.8, G = 1.8, H = 2.3, K = 2.3, L = 0.6, D ₁₅₀ = 1.4	0.11	0.13 / 0.17				
5-928999-1	Sn	A = 2.5, B = 3.6, C = 5.4, D = 13.7, M = 0.2	E = 1.8, G = 1.8, H = 2.3, K = 2.3, L = 0.6, D ₁₅₀ = 1.4	0.11	0.08-0.22				
2141824-6	Ag	A = 2.5, B = 3.7, C = 5.4, D = 13.7, M = 0	E = 1.5, G = 1.5, H = 2, K = 2, D ₁₅₀ = 1.1	0.1	0.13	0.85-1.25	967067-2 (gelb YELLOW)	963142-2 (grau GREY)	114-18021
2141824-5	Au	A = 2.5, B = 3.7, C = 5.4, D = 13.7, M = 0	E = 1.5, G = 1.5, H = 2, K = 2, D ₁₅₀ = 1.1	0.1	0.17	0.85-1.25	967067-2 (gelb YELLOW)	963142-2 (grau GREY)	114-18021
2141824-1	Sn	A = 2.5, B = 3.7, C = 5.4, D = 13.7, M = 0	E = 1.5, G = 1.5, H = 2, K = 2, D ₁₅₀ = 1.1	0.1	0.17	0.85-1.25	967067-2 (gelb YELLOW)	963142-2 (grau GREY)	114-18021
1355717-6	Ag	A = 2.5, B = 3.7, C = 5.4, D = 13.7, M = 0	E = 1.5, G = 1.5, H = 2, K = 2, D ₁₅₀ = 1.1	0.1	0.13	0.85-1.25	967067-2 (gelb YELLOW)	963142-2 (grau GREY)	114-18021
1355717-5	Au	A = 2.5, B = 3.7, C = 5.4, D = 13.7, M = 0	E = 1.5, G = 1.5, H = 2, K = 2, D ₁₅₀ = 1.1	0.1	0.17	0.85-1.25	967067-2 (gelb YELLOW)	963142-2 (grau GREY)	114-18021
1355717-1	Sn	A = 2.5, B = 3.7, C = 5.4, D = 13.7, M = 0	E = 1.5, G = 1.5, H = 2, K = 2, D ₁₅₀ = 1.1	0.1	0.17	0.85-1.25	967067-2 (gelb YELLOW)	963142-2 (grau GREY)	114-18021

Bestell-Nr. Ausfuehrung ORDER NO. DESIGN 2	Bestell-Nr. Ausfuehrung ORDER NO. DESIGN 3	Rev.	Bestell-Nr. Ausfuehrung ORDER NO. DESIGN 1	Rev.	VERSION	DGB Wire Size Range mm ²	Oberflaeche SURFACE	Laenge LENGTH mm	Drahtcrimp WIRE CRIMP mm	Iso-crimp INSU-CRIMP mm	Gewicht WEIGHT g	Vergaehrung Spez. APPLICATION SPEC.	DGB Wire Size Range mm ²	Isolations Ø INSULATIN DIA. mm	fuer Kammer Ø3.45 FOR CAVITY DIA. 3.45 mm	Blindstopfen RUBBER PLUG	fuer Kammer Ø4 FOR CAVITY DIA. 4 mm	Blindstopfen RUBBER PLUG	zugehoerige Einzeldichtung / SUITABLE SINGLE WIRE SEAL

THIS DRAWING IS A CONTROLLED DOCUMENT. DWN S. Garcia 05JAN1999
 CHK M. Bleicher 05JAN1999
 R. Jetter 13AUG2003

TE Connectivity

TE Connectivity

MOS
 Tabellenzeichnung Buchsenkontakt
 TABLE SOCKET CONTACT

114-18030
 APPLICATION SPEC

114-18021 / 114-18025

00779 ©=929454

SCALE 10:1 SHEET 1 OF 1 REV C.26

X-ON Electronics

Largest Supplier of Electrical and Electronic Components

Click to view similar products for [Automotive Connectors](#) category:

Click to view products by [TE Connectivity](#) manufacturer:

Other Similar products are found below :

[003-018-000](#) [60403001](#) [60993906-B](#) [M902-2131](#) [M902-2161](#) [72.330.1035.1](#) [73.353.4028.0](#) [F119300-B](#) [F166900](#) [F258300-B](#) [F358300-B](#)
[F407400](#) [F444110](#) [F487000](#) [F509500B-B](#) [827153-1](#) [8N1515-32-24P](#) [9-1326729-8](#) [925474-1](#) [928905-1](#) [964562-4](#) [968782-1](#) [GT17SA-8DS-](#)
[HU](#) [98891-1012](#) [98947-1016](#) [12004147](#) [12004475-L](#) [12010290](#) [12010309-B](#) [12015454](#) [12020219-B](#) [12020308](#) [12041318-B](#) [12052225-L](#)
[12052466](#) [12059125](#) [12064869](#) [12004327-B](#) [12010503-B](#) [12015308](#) [12015384](#) [12015909](#) [1-21030-1](#) [12041254](#) [12041318](#) [12047946-B](#)
[12047957](#) [12047957-L](#) [12059473](#) [12066261](#)