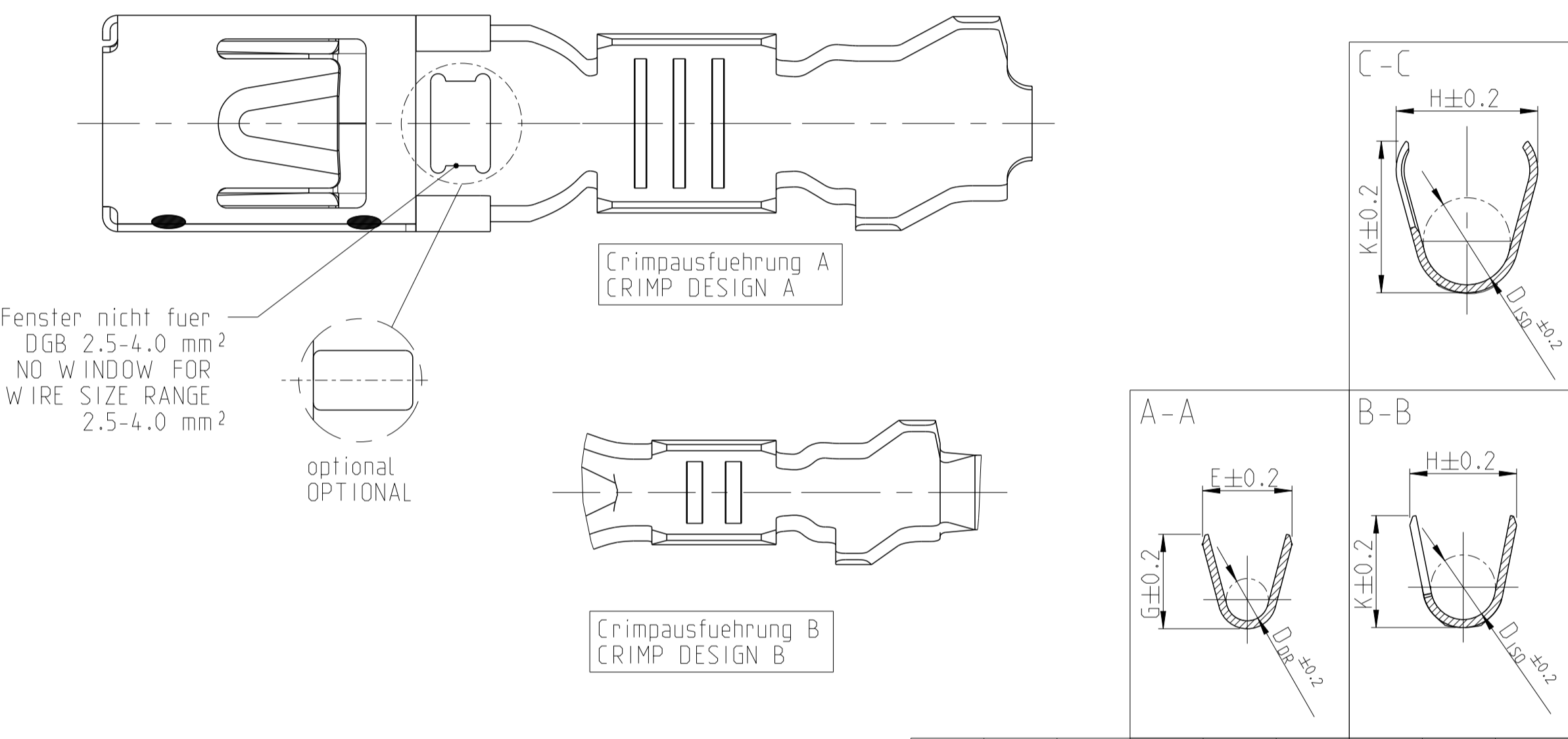
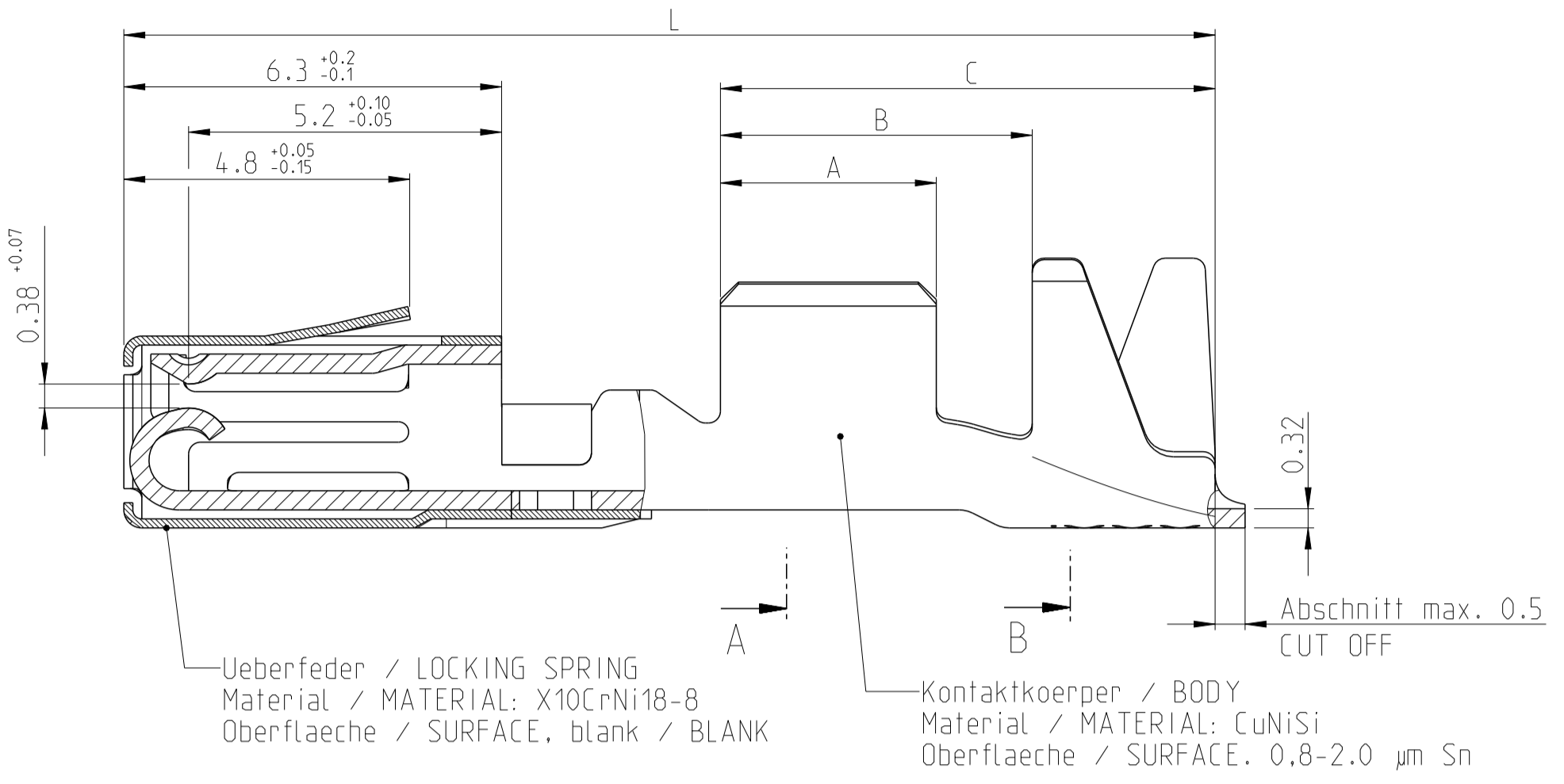
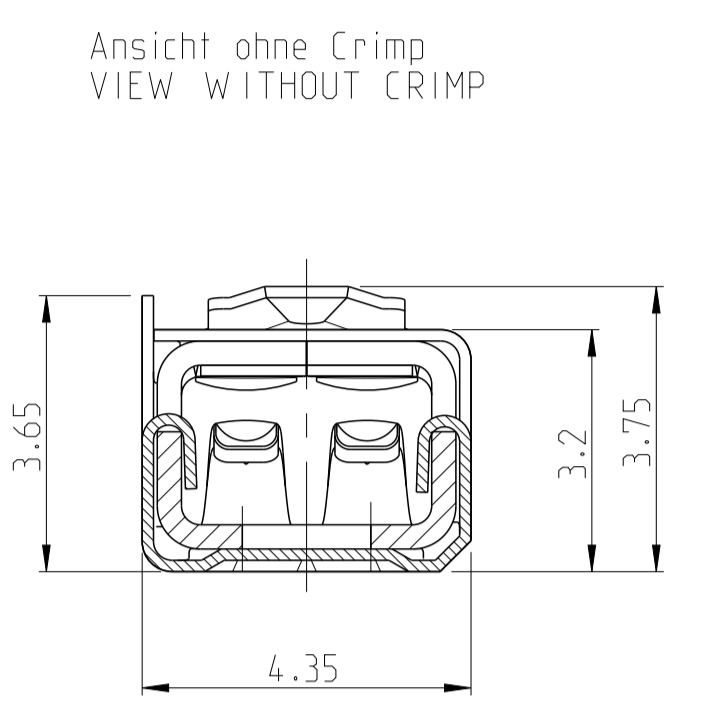
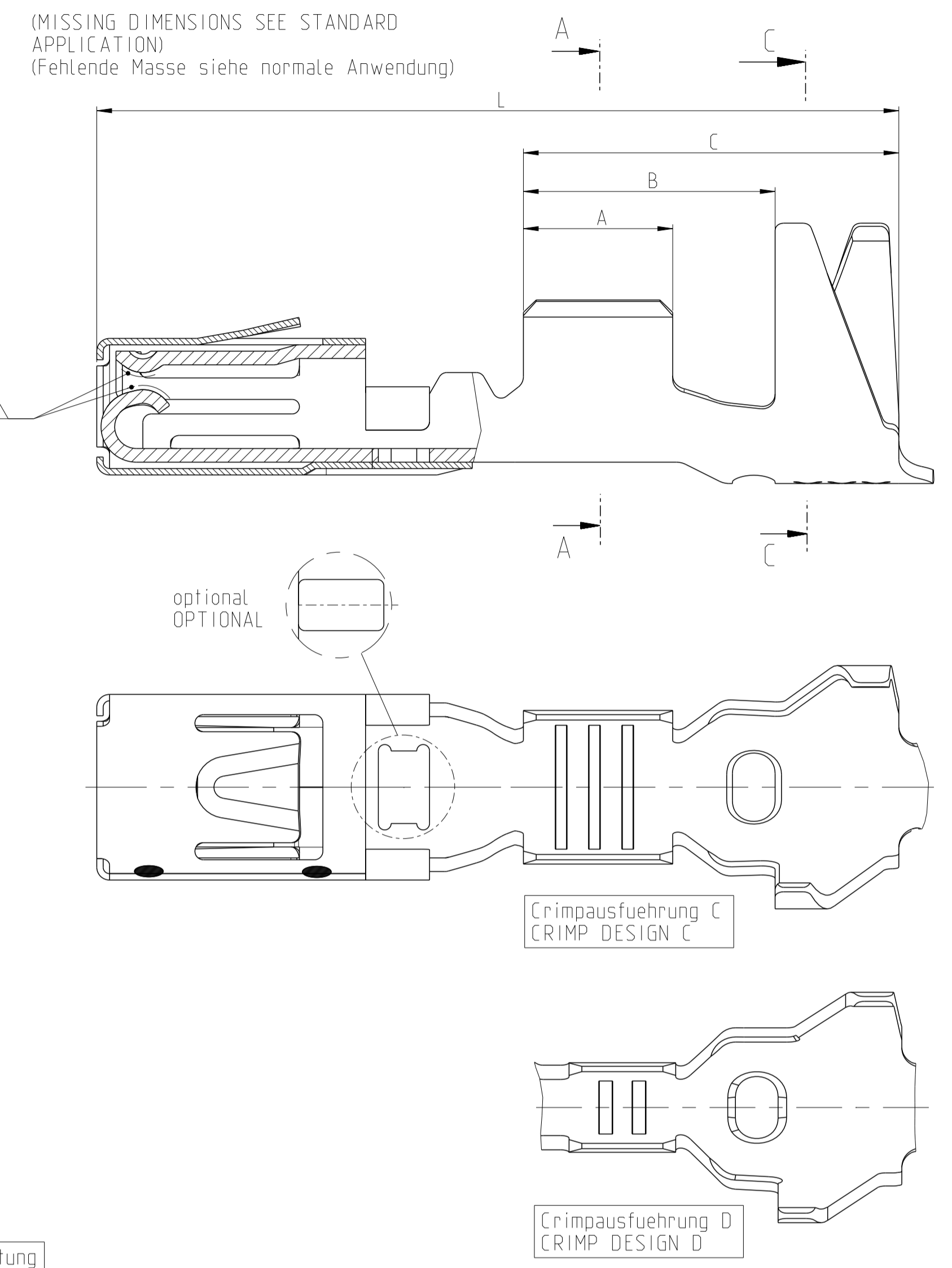


REVISIONS				
P.	LTN	DESCRIPTION	DATE	DMN APVD
B9		CRIMP DESIGN TYPE column in table added	08NOV2017	MAH. SCHI
B10		MATERIAL OF LOCKING SPRING CORRECTED	09OCT2019	BREN SCHI
B11		E-20-000779	15JAN2020	FRAN SCHI
B12		Updated general tolerance	22MAY2020	FRAN SCHI

Normale Anwendung
STANDARD APPLICATION



Einzeldichtungssystem
SINGLE WIRE SEAL SYSTEM



SUPERSEDED BY		TE-Teil-Nr.	REV.	NOTE	Sn	VERSION	Drahtgroessenbereich WIRE SIZE RANGE [mm²]	Crimplängen CRIMP LENGTHS [mm]	Drahtcrimp WIRE CRIMP [mm]	Isolationscrimp INSULATION CRIMP [mm]	Kontaktlänge CONTACT LENGTH [mm]	Gramm GRAM	Gewicht WEIGHT	Verarbeitung APPLICATION	Crimpausführung CRIMP DESIGN	Bestell-Nr. ORDER NO.	Farbe COLOUR	
968075-5	968120-5	968120-5	D	4	-	Einzelichtungssystem SINGLE WIRE SEAL SYSTEM	> 1.0-2.5	3.5	5.9	8.8	3.6	3.8	1.7	5.7	6.1	3.5	0.5	gelb/YELLOW
968075-5	968119-4	968119-4	D	6	-		> 0.5-1.0	3.0	5.4	8.3	2.5	2.7	1.2	5.5	5.9	3.3	0.5	grau/GREY
968075-5	968680-5	968680-5	B	4	-		0.35-0.5	2.5	4.9	7.8	2.1	2.1	0.8	5.4	5.7	3.2	0.5	
968075-5	1355950-5	1355950-5	-	4	-		> 2.5-4.0	4.0	5.9	9.3	4.5	4.7	2.3	5.4	5.6	3.2	0.5	
968075-5	968075-5	968075-5	D	4	-	normale Anwendung STANDARD APPLICATION	> 1.0-2.5	3.5	5.2	8.25	3.6	3.8	1.7	4.3	4.5	2.6	0.5	
968075-5	968074-5	968074-5	D	4	-		> 0.5-1.0	3.0	4.6	7.0	2.5	2.7	1.2	3.2	3.4	1.8	0.5	
968075-5	968678-5	968678-5	B	4	-		0.35-0.5	2.5	3.7	5.8	2.1	2.1	0.8	2.9	2.9	1.4	0.5	

- NOTES
Bemerkungen
- SUITABLE FOR PIN CONTACT SEE DRAWING:
Passend zu Stiftkontakt:
TE: 1355933
 - FOR FLR-CONDUCTOR ACCORDING TO DIN 72551, PART 6 ONLY
Nur fuer FLR-Leitungen nach DIN 72551, Teil 6
 - DETAILS OF DESIGN ARE LEFT TO MANUFACTURER
Einzelheiten der Ausfuehrung bleiben dem Hersteller ueberlassen
- 4 MIN. 0.8µm Au OVER MIN. 1.2µm Ni
Min. 0.8µm Au ueber min. 1.2µm Ni
- 5 2-4µm ELECTROPLATED SILVER
2-4µm galvanisch Silber
- 6 MIN. 0.8µm PdNi OVER MIN. 1.2µm Ni
Min. 0.8µm PdNi ueber min. 1.2µm Ni
- 7 FOR INSPECTION PURPOSES ONLY
Nur fuer Pruefzwecke
- 8 MIN. 2.8-5.0µm Ag OVER MIN. 0.2-1.0µm Ni
Min. 2.8-5.0µm Ag ueber min. 0.2-1.0µm Ni

THIS DRAWING IS A CONTROLLED DOCUMENT. DMN S.Garcia 22MAY2000
 CHK R.Jetter 22MAY2000

DIMENSIONS: mm
 TOLERANCES UNLESS OTHERWISE SPECIFIED:
 1 2 3 4 5 6 7 8 9 10 11 12 13 14 15 16 17 18 19 20 21 22 23 24 25 26 27 28 29 30 31 32 33 34 35 36 37 38 39 40 41 42 43 44 45 46 47 48 49 50 51 52 53 54 55 56 57 58 59 60 61 62 63 64 65 66 67 68 69 70 71 72 73 74 75 76 77 78 79 80 81 82 83 84 85 86 87 88 89 90 91 92 93 94 95 96 97 98 99 100
 B12

MATERIAL: - FINISH: -

TE Connectivity
 MICRO POWER QUADLOK BUCHSENKONTAKT
 TABLETZEICHNUNG BUCHSENKONTAKT
 TABLE SOCKET CONTACT

SIZE: A1 CAGE CODE: 00779 DRAWING NO: 114-1814-1-1 RESTRICTED TO: -
 WEIGHT: -
 CUSTOMER DRAWING

SCALE: 5:1 SHEET: 1 OF 1

X-ON Electronics

Largest Supplier of Electrical and Electronic Components

Click to view similar products for [Automotive Connectors](#) category:

Click to view products by [TE Connectivity](#) manufacturer:

Other Similar products are found below :

[003-018-000](#) [60403001](#) [60993906-B](#) [M902-2131](#) [M902-2161](#) [M902-2344](#) [72.330.1035.1](#) [73.353.4028.0](#) [F119300-B](#) [F166900](#) [F258300-B](#)
[F358300-B](#) [F407400](#) [F444110](#) [F487000](#) [F509500B-B](#) [827153-1](#) [8N1515-32-24P](#) [9-1326729-8](#) [925474-1](#) [928905-1](#) [964562-4](#) [968782-1](#)
[GT17SA-8DS-HU](#) [98891-1012](#) [98947-1016](#) [12004147](#) [12004475-L](#) [12010290](#) [12015454](#) [12020219-B](#) [12041318-B](#) [12052225-L](#) [12052466](#)
[12064869](#) [12004327-B](#) [12015308](#) [12015384](#) [12015909](#) [1-21030-1](#) [12041254](#) [12041318](#) [12047946-B](#) [12047957](#) [12047957-L](#) [12059473](#)
[12066261](#) [12110546](#) [12110546-B](#) [12131792](#)