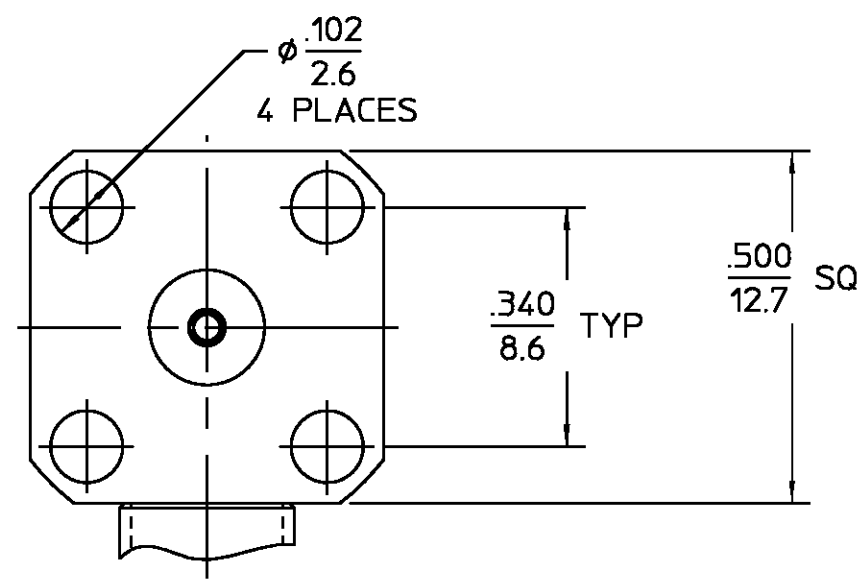
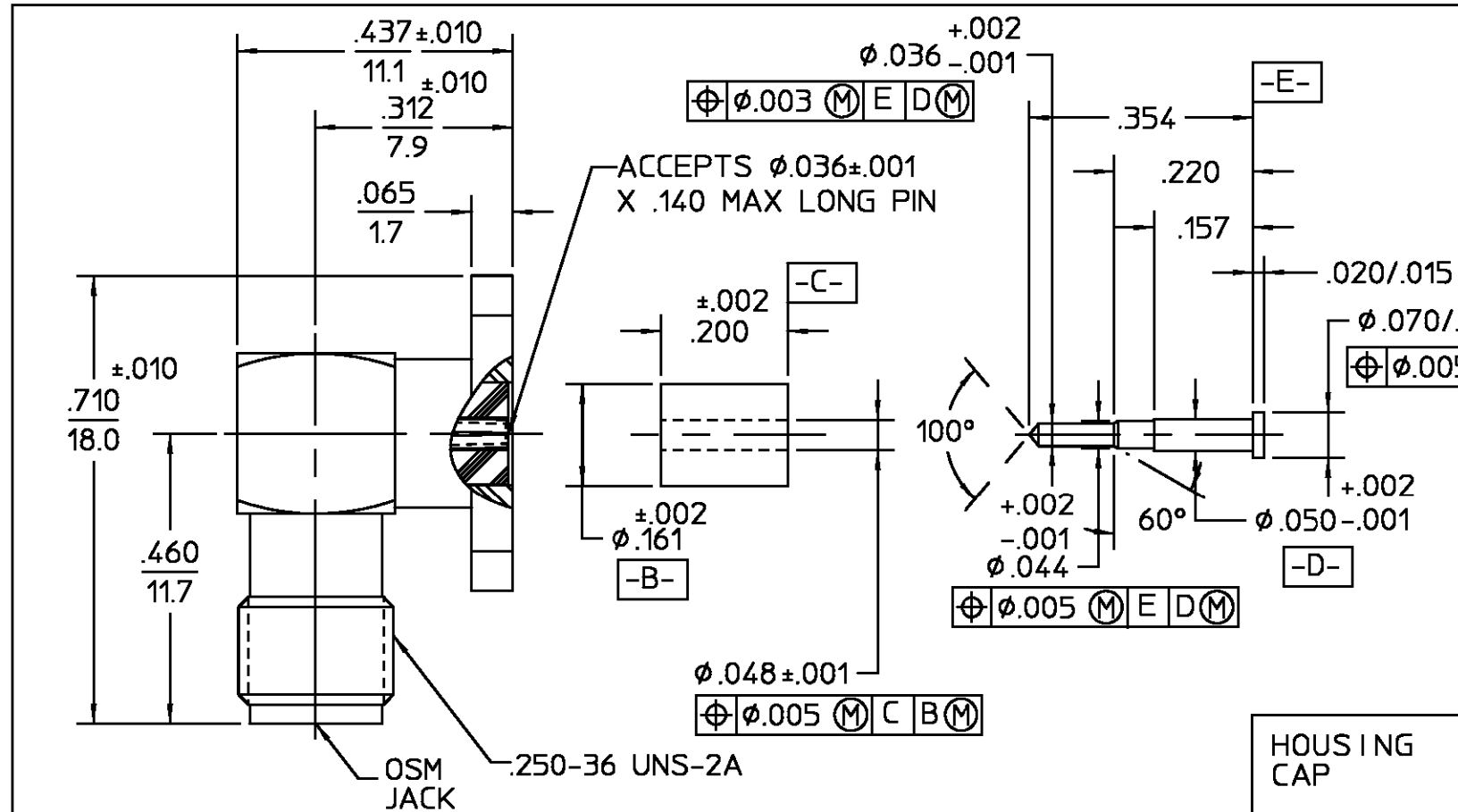


REVISIONS			
REV	DESCRIPTION	DATE	APPROVED
04 ₀	RELEASED	DAC 6/8/99	<i>[Signature]</i> 16/7/99



ELECTRICAL	MECHANICAL	ENVIRONMENTAL
Nominal Impedance (Ohms) <u>50</u>	Interface Dimensions MIL-STD-348A, Fig. 310.2	Temperature Rating <u>-65°C To 125°C</u>
Frequency Range (GHz) <u>DC to 18</u>	Recommended Mating	Vibration MIL-STD-202, Method 204, Condition D
Volt Rating (VRMS MAX) <u>Sea Level 335</u>	Torque <u>7-10 IN Lbs</u>	Shock MIL-STD-202, Method 213, Condition I
VSWR <u>1.07±.015f GHz</u>	Mating Characteristics:	Thermal Shock MIL-STD-202, Method 107, Condition B.
Insertion Loss (dB MAX) <u>.08 √f GHz</u>	Insertion (MAX Lbs) <u>3.0</u>	Moisture Resistance MIL-STD-202, Method 106, Except Vibration
RF Leakage (dB MIN) <u>[-90-f(GHz)]</u>	Withdrawal (MIN Oz) <u>1.0</u>	Shall Be Omitted
Corona, 70,000 Ft (VRMS MIN) <u>250</u>	Force to Engage and Disengage (In Lbs MAX) <u>2.0</u>	Corrosion - MIL-STD-202, Method 101, Condition B, 5% salt spray
Dielectric Withstanding Voltage (VRMS MIN) <u>Sea Level 1,000</u>	Center Contact Captivation	
Contact Resistance (Milliohms MAX)	Axial (Lbs) <u>6.0 MIN</u>	
Center Contact <u>3.0</u>	Radial (In Oz) <u>4.0 MIN</u>	
Outer Contact <u>2.0</u>	Cable Retention	
Cable to Housing <u>N/A</u>	Axial Force (Lbs) <u>N/A</u>	
RF High Potential <u>Sea Level</u>	Torque (In Oz) <u>N/A</u>	
(VRMS MIN @ 5 MHz) <u>670</u>	Weight (Grams) <u>5.0 g max</u>	
LR.(Megohms MIN) <u>10,000</u>		

COMPONENT	MATERIAL	FINISH
HOUSING CAP	STAINLESS STEEL PER ASTM-A484 AND ASTM-A582, TYPE 303	PASSIVATE PER ASTM-380
DIELECTRIC	TFE FLUOROCARBON PER ASTM-D-1457	N/A
CENTER CONTACT CONTACT EXT.	BERYLLIUM COPPER PER ASTM B 196 OR ASTM-B-197, ALLOY C17300, CONDITION H	GOLD PLATE PER MIL-G-45204
MALE PIN	BRASS PER ASTM-B-16 HALF HARD	TIN PLATE PER MIL-T-10727

UNLESS OTHERWISE SPECIFIED DIMENSIONS ARE IN INCHES

GEN.TOL. ±.005 ANGLES ± 1°

DRAWN BY *[Signature]* DATE 5/3/99

CHECKED BY *[Signature]*

APPD BY *[Signature]* 6/10/99

USE ASSY PROCEDURE

NO. A.P. N/A

AMP Incorporated
140 Fourth Avenue
Waltham, MA 02451-7599

TITLE OSM FLANGE MOUNT 4 HOLE RIGHT ANGLE JACK RECEPTACLE FIELD REPLACEABLE

SIZE	CODE IDENT NO.	REV
B	26805	04 ₀

SCALE 4:1 SHEET 1 OF 1

X-ON Electronics

Largest Supplier of Electrical and Electronic Components

Click to view similar products for [RF Connectors / Coaxial Connectors](#) category:

Click to view products by [TE Connectivity](#) manufacturer:

Other Similar products are found below :

[R125315120](#) [8915-1511-000](#) [89674-0827](#) [5916-1103-603](#) [6-0001-3](#) [6001-7071-019](#) [6002-7051-003](#) [6002-7551-202](#) [6059674-1](#) [619550-1](#)
[630059-000](#) [M39012/25-0021](#) [M39012/79-3008](#) [M39030/3-01N](#) [M39030/3-03N](#) [M3933/25-36N](#) [6500-7071-046](#) [M83723/72W24576](#)
[M83723/72W2457N](#) [6769](#) [CX050L2AQ](#) [7002-1541-010](#) [7002-1572-002](#) [7003-1572-002](#) [7010-1511-000](#) [7029-1511-060](#) [7101-1541-010](#)
[7101-1571-002](#) [7105-1521-002](#) [7145-1521-002](#) [7209-1511-011](#) [7210-1511-015](#) [7210-1511-019](#) [7225-1512-050](#) [7242-1511-000](#) [73137-5015](#)
[73251-0111](#) [73251-0672](#) [7325-1512-000](#) [73276-1501](#) [73366-0013](#) [73404-2300](#) [73413-6080](#) [73415-5721](#) [7405-1521-005](#) [7405-1521-802](#)
[7406-1521-005](#) [804S01D04M040](#) [8145-1521-002](#) [81590](#)