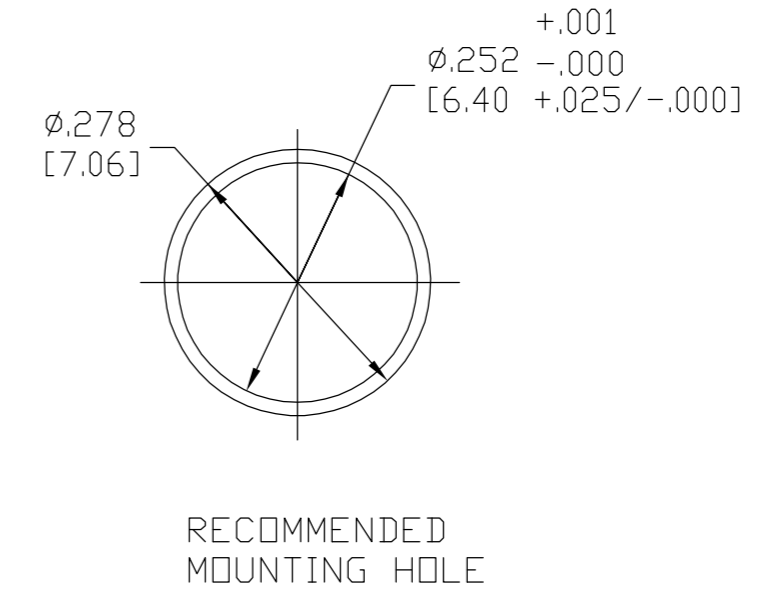
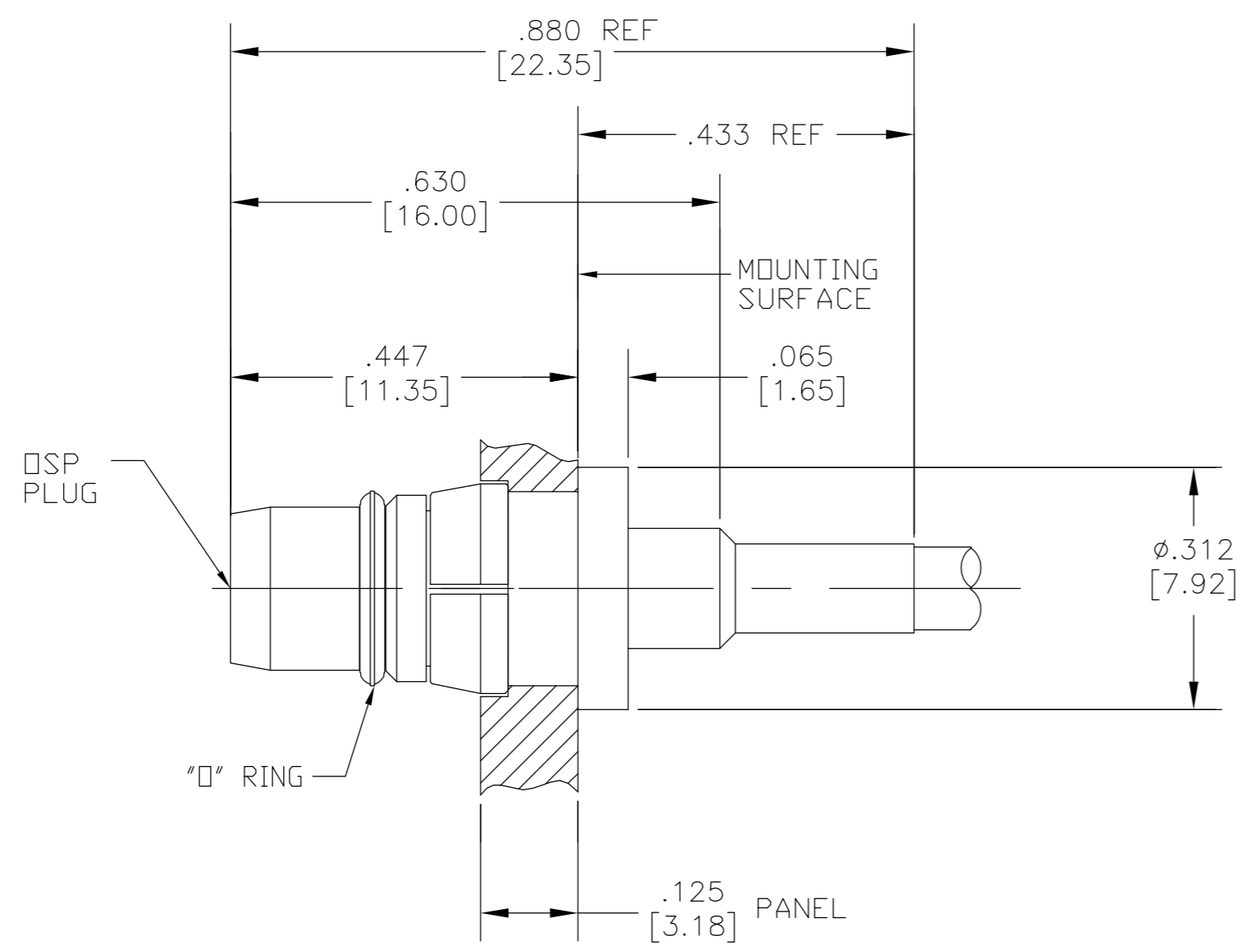


THIS DRAWING IS UNPUBLISHED. RELEASED FOR PUBLICATION
 © COPYRIGHT BY TYCO ELECTRONICS CORPORATION. ALL RIGHTS RESERVED.

LOC		DIST		REVISIONS			
P	LTR	DESCRIPTION		DATE	DWN	APVD	
	B	REV PER ECO-07-002225		20FEB07	PY	RG	



ELECTRICAL	MECHANICAL	ENVIRONMENTAL
NOMINAL IMPEDANCE (OHMS) 50 ± 1	Interface Dimensions Per MIL-STD-348A Fig. 321.1	TEMPERATURE RATING -65° TO $+125^{\circ}$ C
Frequency Range (GHz) DC to 18	Mating Characteristics:	Vibration MIL-STD-202, Method 204, Condition D
Volt Rating (VRMS MAX) @ Sea Level 335	Insertion (MAX Lbs) N/A	Shock MIL-STD-202, Method 213, Condition I
VSWR $1.05 + .005f(\text{GHz})$ DC to 18 GHz	Withdrawal (MIN Oz) N/A	Thermal Shock MIL-STD-202, Method 107, Condition B
Insertion Loss (dB MAX) $.03x\sqrt{f(\text{GHz})}$	Force to Engage (In-Lbs MAX) N/A & Disengage (In-Lbs MAX) N/A	Moisture Resistance MIL-STD-202, Method 106
RF Leakage (dB MIN) (Interface Only, Fully Mated) $-[90-f(\text{GHz})]$	Center Contact Captivation Axial (Lbs) 6	Corrosion - MIL-STD-202, Method 101, Condition B
Corona, 70,000 Ft (VRMS MIN) 335	Cable Retention Axial Force (Lbs MIN) 30	
Dielectric Withstanding Voltage (VRMS MIN) @ Sea Level 1000	Torque (In-Oz MIN) 16	
Contact Resistance (Milliohms MAX) Center Contact 2.0 Outer Contact 2.0 Cable to Housing 0.5	Weight (Grams) 2.7	
RF High Potential @ Sea Level (VRMS MIN @ 5 MHz) 670		
I.R.(Megohms MIN) 5000		

DESIGNED FOR USE WITH GORE G4 CABLE	
CABLE ENTRY DIAMETER MINIMUM	
HOUSING	.113
CONTACT	.0300

COMPONENT	MATERIAL	FINISH
HOUSING	STAINLESS STEEL PER ASTM-A484 AND ASTM-A582, TYPE 303	GOLD PLATE PER MIL-G-45204
DIELECTRIC	PTFE FLUOROCARBON PER ASTM-D-1457	N/A
CENTER CONTACT	BERYLLIUM COPPER PER ASTM-B-196 OR ASTM-B-197, ALLOY C17300, CONDITION H	GOLD PLATE PER MIL-G-45204
O-RING	NITRILE (BUNA-N) PER MIL-P-25732	N/A
SHRINK TUBING	HEAT SHRINKABLE POLYOLEFIN COMPOUND MIL-I-23053/4	N/A

THIS DRAWING IS A CONTROLLED DOCUMENT.

DWN P. YEAGER 19FEB2007	Tyco Electronics Corporation Harrisburg, PA 17105-3608
CHK R. GROSS 20FEB07	
APVD R. GROSS 20FEB07	
PRODUCT SPEC	
MATERIAL SEE TABLE	NAME OSP BULKHEAD FEEDTHRU CABLE PLUG DIRECT SOLDER ATTACHMENT
DIMENSIONS: INCHES	SIZE A2
TOLERANCES UNLESS OTHERWISE SPECIFIED:	CAGE CODE 00779
0 PLC \pm -	DRAWING NO C=1363619
1 PLC \pm -	RESTRICTED TO
2 PLC \pm -	SCALE 5:1
3 PLC \pm .005	SHEET 1 of 1
4 PLC \pm -	REV B
ANGLES \pm 1'	
FINISH SEE TABLE	
WEIGHT -	
CUSTOMER DRAWING	

X-ON Electronics

Largest Supplier of Electrical and Electronic Components

Click to view similar products for [RF Connectors](#) / [Coaxial Connectors](#) category:

Click to view products by [TE Connectivity](#) manufacturer:

Other Similar products are found below :

[R125315120](#) [8915-1511-000](#) [89674-0827](#) [5916-1103-603](#) [0106-001-000](#) [6-0001-3](#) [6001-7071-019](#) [6002-7051-003](#) [6002-7551-202](#) [6059674-1](#) [619550-1](#) [630059-000](#) [M39012/25-0021](#) [M39012/79-3008](#) [M39030/3-01N](#) [M39030/3-03N](#) [M3933/25-29N](#) [M3933/25-36N](#) [6500-7071-046](#) [6501-1071-002](#) [M83723/72W24576](#) [M83723/72W2457N](#) [6769](#) [CX050L2AQ](#) [7002-1541-010](#) [7003-1572-002](#) [7004-1512-000](#) [7009-1511-004](#) [7010-1511-000](#) [7029-1511-060](#) [7101-1541-010](#) [7101-1571-002](#) [7105-1521-002](#) [7145-1521-002](#) [7209-1511-011](#) [7210-1511-012](#) [7210-1511-015](#) [7210-1511-019](#) [7210-1511-040](#) [7225-1512-050](#) [7242-1511-000](#) [73137-5015](#) [73216-2241](#) [73251-0111](#) [73251-0672](#) [73276-1501](#) [73366-0013](#) [73404-2300](#) [73413-6080](#) [734151610](#)