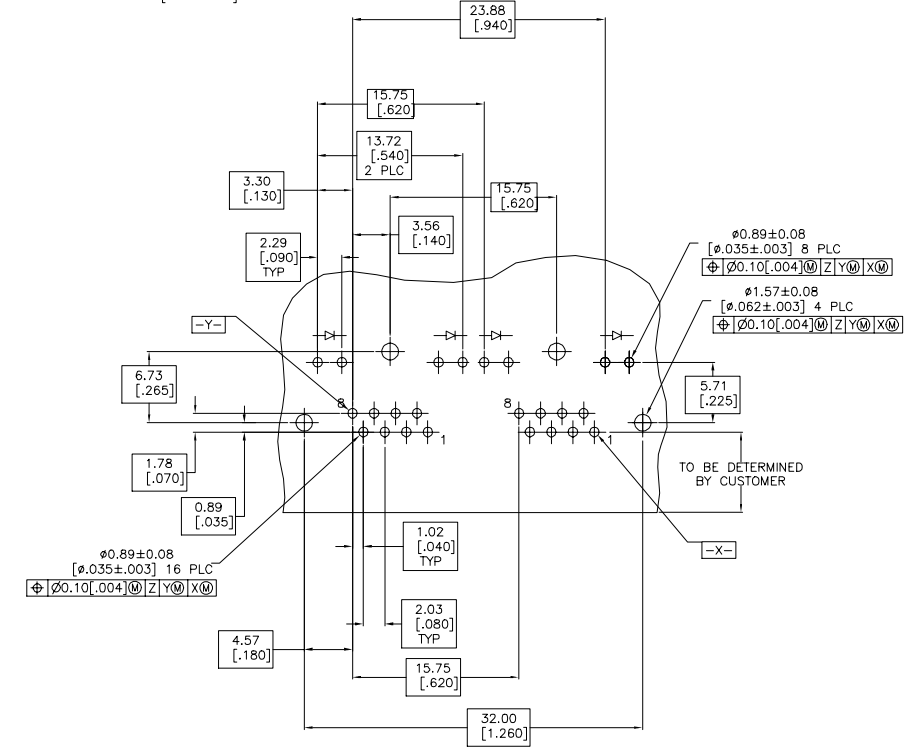
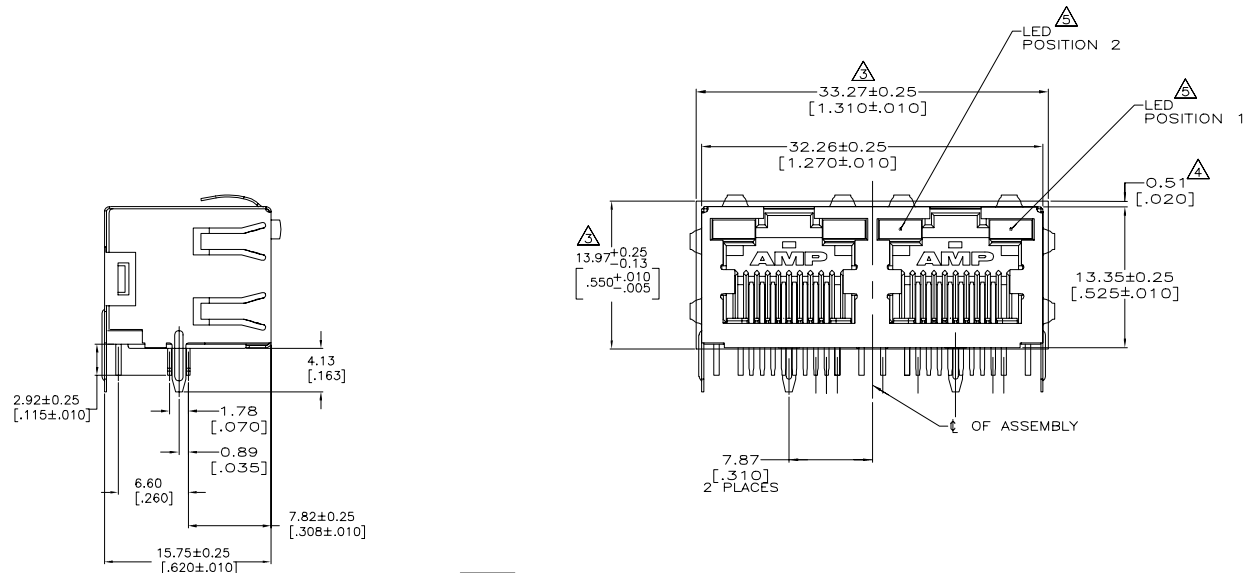


REVISIONS				
TR	LINE	DESCRIPTION	DATE	BY / APPR
C1	ECO-18-014918		27SEP2020	RR / SH



RECOMMENDED PRINTED CIRCUIT BOARD LAYOUT COMPONENT SIDE

- MATERIAL:  
HOUSING — HIGH TEMPERATURE THERMOPLASTIC, COLOR: BLACK, UL94V-0  
TERMINALS — 0.36[0.014] THICK PHOS BRONZE PLATED WITH 3.81µm[0.000150] MIN THICK BRIGHT TIN LEAD IN SOLDER AREA, 1.27µm[0.000050] MIN GOLD IN LOCALIZED PLATE AREA. ENTIRE TERMINAL PLATED WITH 1.27µm[0.000050] MIN THICK NICKEL.  
SHIELD — 0.196[0.0077] THICK COPPER ZINC ALLOY PREPLATED WITH 1.27µm[0.000050] MIN SATIN NICKEL WITH 2.03µm[0.000080] MIN TIN POST DIPPED ON PCB GROUND TABS  
LIGHT EMITTING DIODE (LED) — DIFFUSED EPOXY LENS, 0.51 X 0.51[0.020 X .020] CARBON STEEL WIREFRAME LEADS PLATED WITH 8.89µm[0.000350] TIN/COPPER OVER 2.03µm[0.000080] SILVER OVER 1.02µm[0.000040] NICKEL UNDERPLATE OVER 2.03µm[0.000080] COPPER UNDERPLATE
  - JACK CAVITY CONFORMS TO FCC RULES AND REGULATIONS PART 68, SUBPART F.
- △ SUGGESTED PANEL OPENING DIMENSIONS.
  - △ SUGGESTED CLEARANCE BETWEEN TOP OF CONNECTOR AND TOP PANEL OPENING.
  - △ SEE TABLE FOR COLOR OF LEDS AND NUMBER REQUIRED.
- THIS MODULAR JACK WITH INTEGRATED LED IS NOT IR REFLOW SOLDERING PROCESS COMPATIBLE.

OBSELETE	GREEN	GREEN	1364173-5
OBSELETE	YELLOW	GREEN	1364173-1
	POSITION 2	POSITION 1	PART NUMBER
	INDICATOR COLOR FOR EACH HOUSING		

THIS DRAWING IS A CONTROLLED DOCUMENT.		DATE: 11/11/2019	DESIGNED BY: J. MORRIS	DATE: 11/11/2019	DRWNO: 1364173-1
DIMENSIONS: mm (INCHES)		APPROVED BY: D. DIXON	DATE: 11/11/2019	DRWNO: 1364173-1	REV: 1
OTHER PARTS:		PRODUCT SPEC: 108-1163-4	APPLICATION SPEC: 114-2154	SIZE: A1	DATE CODE: 100779
MATERIAL: -		FINISH: -	WEIGHT: 0	SCALE: 1:1	SHEET: 1 OF 1
CUSTOMER DRAWING		DRAWING NO: 1364173		REV: 1	REV: C1

## X-ON Electronics

Largest Supplier of Electrical and Electronic Components

*Click to view similar products for [Modular Connectors / Ethernet Connectors](#) category:*

*Click to view products by [TE Connectivity](#) manufacturer:*

Other Similar products are found below :

[RJE231881317T](#) [MP1010RX-1000](#) [MP44RX-1000](#) [GAX-3-66](#) [GAX-8-62](#) [93606-0253](#) [GD-A-44](#) [GDCX-PA-66-50](#) [GDCX-PN-64](#) [GDCX-PN-66](#) [GDCX-PN-66-50](#) [GDLX-A-66](#) [GDLX-A-88](#) [GDLX-N-66](#) [GDLX-S-66](#) [GDLX-S-88K](#) [GDTX-S-88-50](#) [GDX-PA-1010](#) [GLX-N-1010M-BLK](#) [GLX-S-88M-BLK](#) [GMX-N-1010](#) [GMX-S-1010](#) [GMX-S-66](#) [GMX-SMT2-N-1010](#) [GMX-SMT2-N-64-50](#) [GMX-SMT2-N-88](#) [GMX-SMT2-S6-88](#) [GMX-SMT4-N-88](#) [GPX-2-64](#) [GRT1-BT1-5](#) [GSGX-N-2-88](#) [GSX-NS2-88-3.05](#) [GSX-NS2-88-3.05-50](#) [GSX-NS-88-3.05-30](#) [GSX-NS-88-3.05-50](#) [GSX-NS-88-3.68](#) [1-1775629-2](#) [GWLX-S-88-GR](#) [GWLX-S9-88-YG](#) [1300500326](#) [1300500227](#) [1300530003](#) [1300570002](#) [1324640-4](#) [RJ11FTVC2G](#) [RJ11FTVC2N](#) [RJFTVX2SA1G](#) [132764-001](#) [1400000](#) [1413235](#)