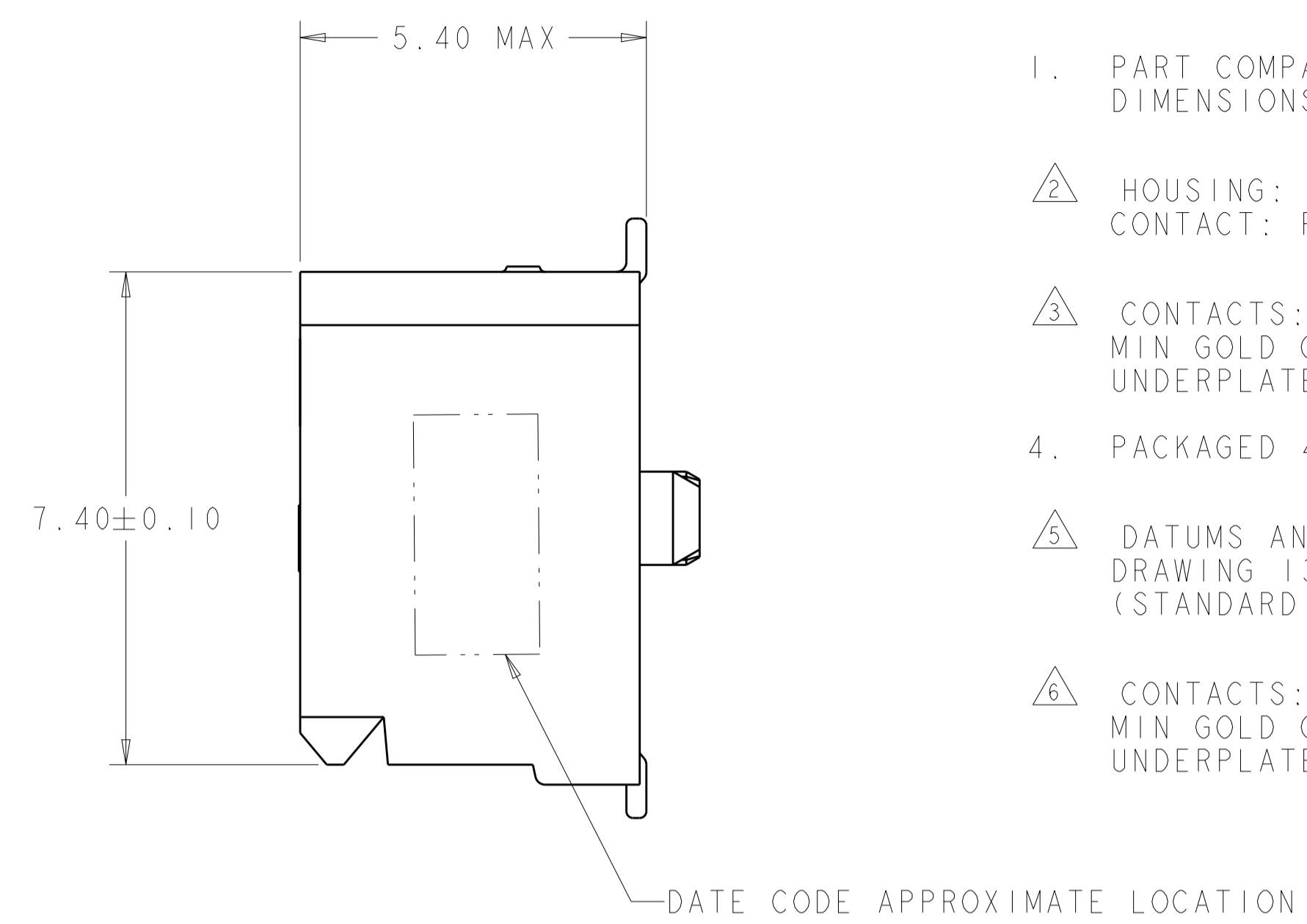
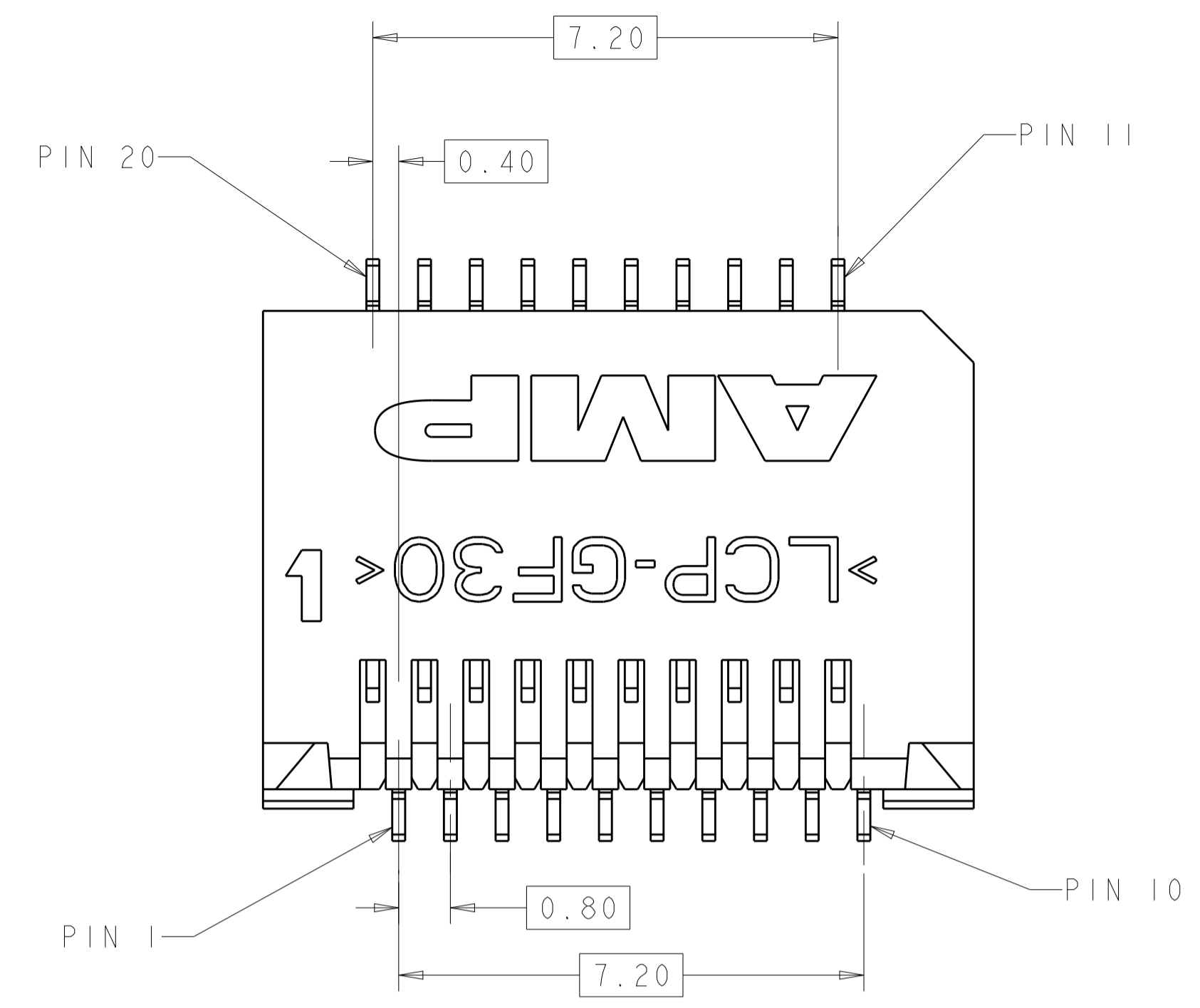
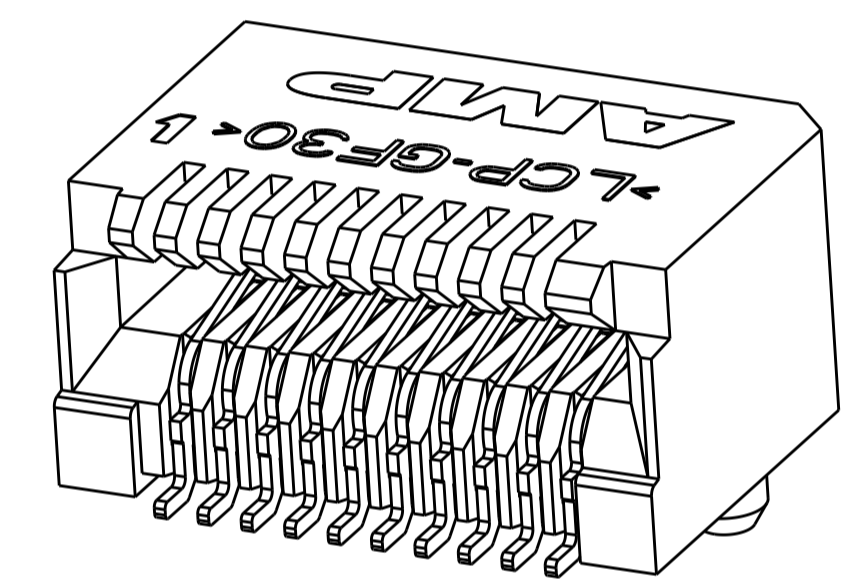
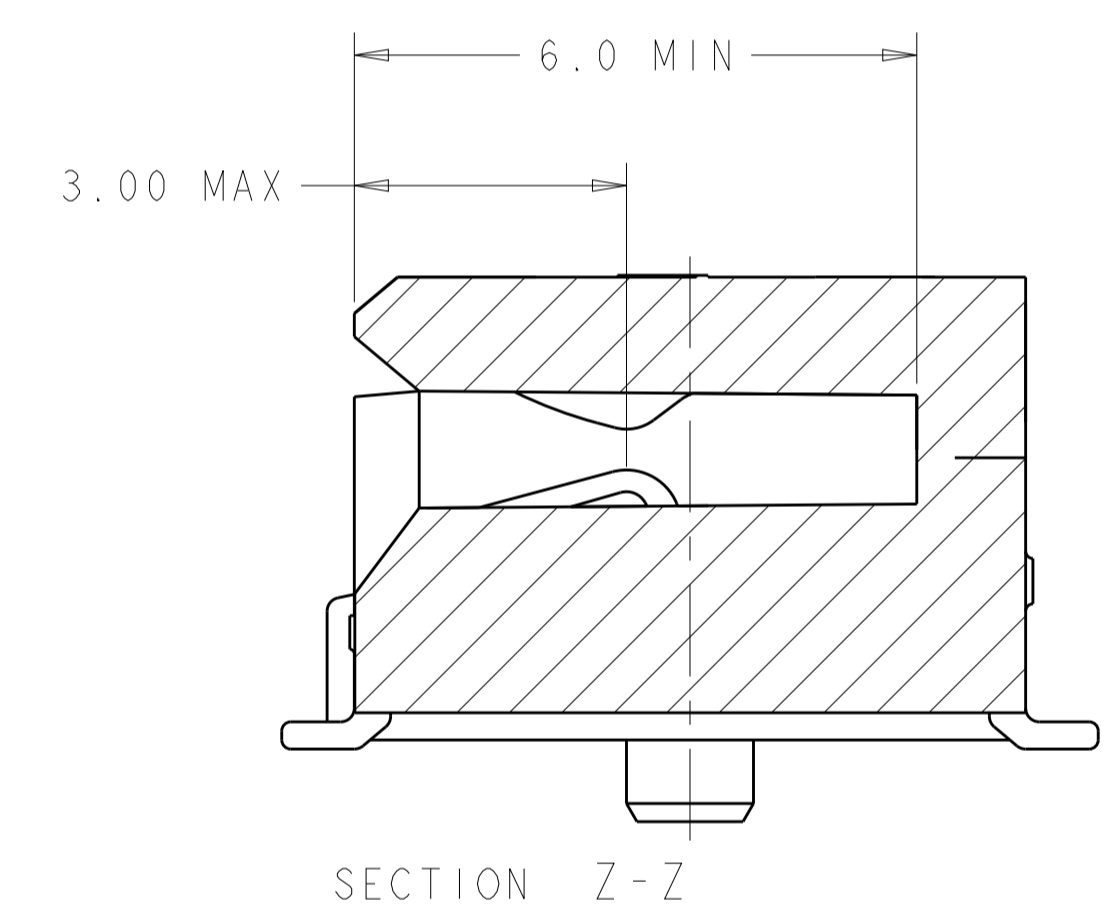
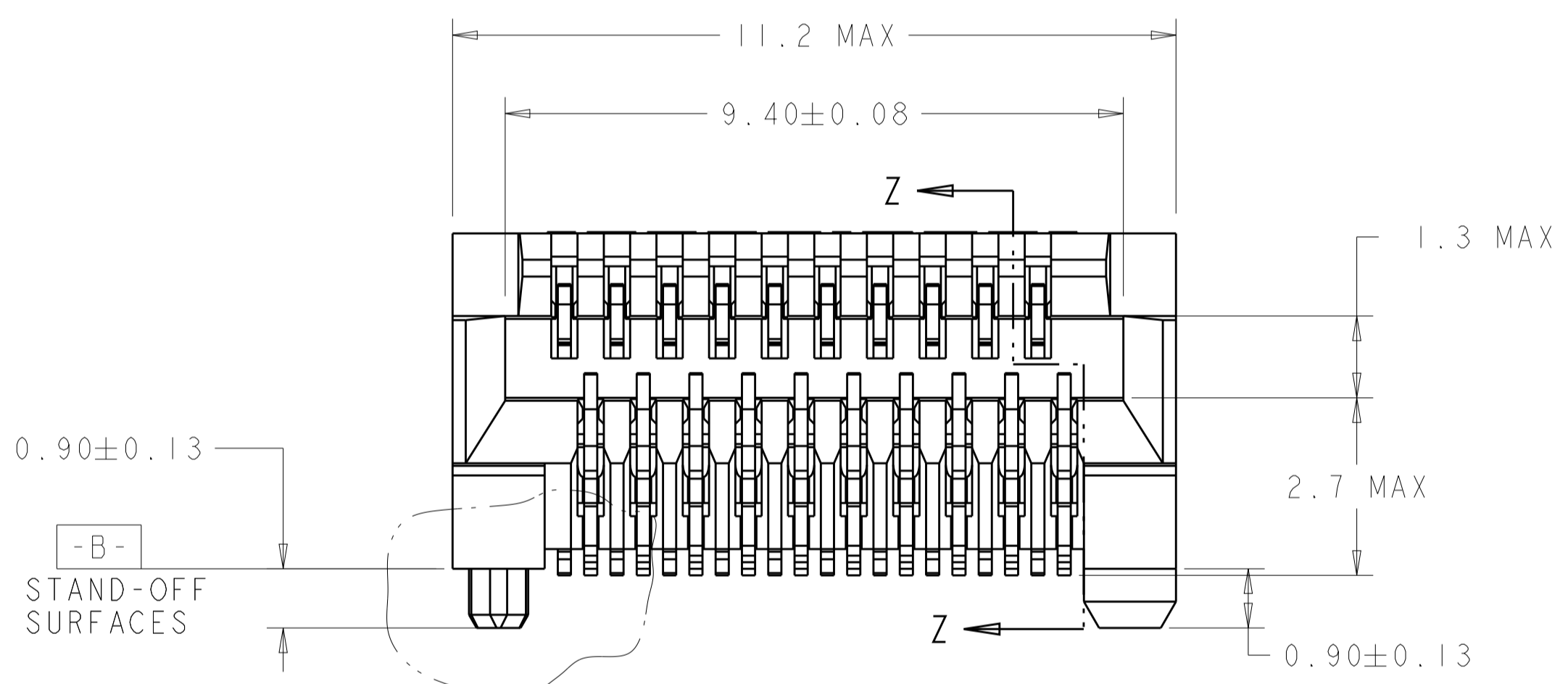


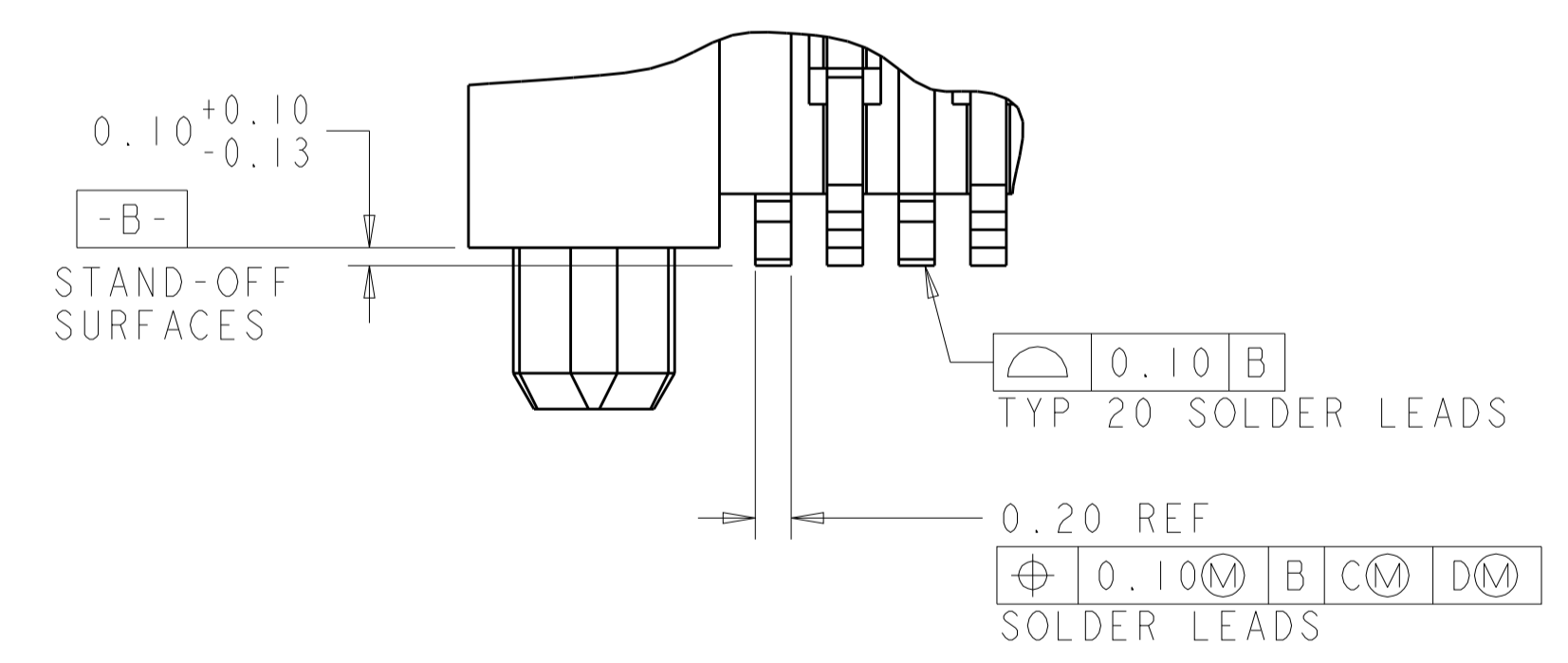
LOC	DIST	REVISIONS			
P	LTN	DESCRIPTION	DATE	DWN	APVD
ES	00				
K		REVISED PER ECO-12-014566	18DEC2012	JY	AC
L		UPDATE NICKEL PLATING THICKNESS	20JUN2017	JW	SH
M		REVISED PER ECR-19-009785	24JUN2019	IT	SH
M1		CHANGE SLOT TO 1.3 MAX	27AUG2019	IT	SH



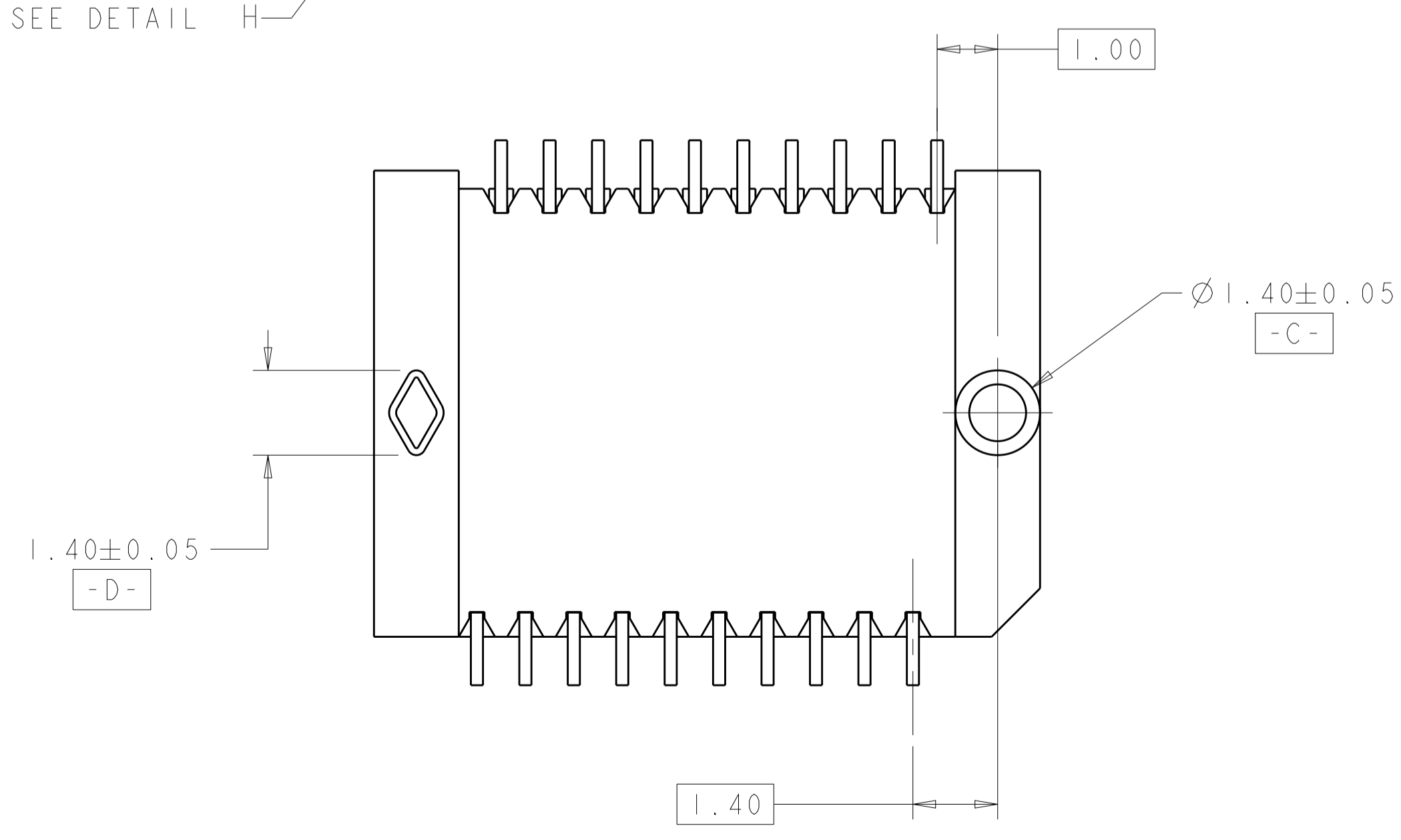
- PART COMPATIBLE WITH SFP MSA. REFER TO THE SFP MSA FOR DIMENSIONS NOT SHOWN ON THIS PRINT.
- HOUSING: HIGH TEMPERATURE LCP, UL 94V-0 RATED, BLACK. CONTACT: PHOSPHOR BRONZE.
- CONTACTS: 0.00038 MIN GOLD IN CONTACT AREA, 0.00013 MIN GOLD ON SOLDER AREA, OVER 0.00127 MIN NICKEL UNDERPLATE ON ENTIRE CONTACT.
- PACKAGED 480 PIECES PER REEL.
- DATUMS AND BASIC DIMENSIONS TO BE ESTABLISHED BY CUSTOMER, SEE DRAWING 1367034 FOR LAYOUT WHEN USED WITH 1367034-1 BOTTOM CAGE (STANDARD SFP APPLICATION).
- CONTACTS: 0.00076 MIN GOLD IN CONTACT AREA, 0.00013 MIN GOLD ON SOLDER AREA, OVER 0.00127 MIN NICKEL UNDERPLATE ON ENTIRE CONTACT.



SCALE 8:1



DETAIL H SCALE 25:1



SEE PAGE 2	3	1367073-6
YES	6	1367073-4
YES	3	1367073-3
NO	6	1367073-2
NO	3	1367073-1
DATE CODE	FINISH	PART NUMBER

THIS DRAWING IS A CONTROLLED DOCUMENT.

DWN: P. KERBLIN 01MAR2000  
 CHK: E. BRIGHT 01MAR2000  
 APVD: E. BRIGHT 01MAR2000

DIMENSIONS: mm  
 TOLERANCES UNLESS OTHERWISE SPECIFIED:  
 0 PLC ±  
 1 PLC ±0.10  
 2 PLC ±  
 3 PLC ±  
 4 PLC ±  
 ANGLES ±

MATERIAL: SEE TABLE  
 FINISH: SEE TABLE

Customer Drawing

NAME: PT CONNECTOR ASSEMBLY, 20 POSITION, SFP, RTANG, 0.8MM  
 PRODUCT SPEC: 108-1949  
 APPLICATION SPEC: 114-13017

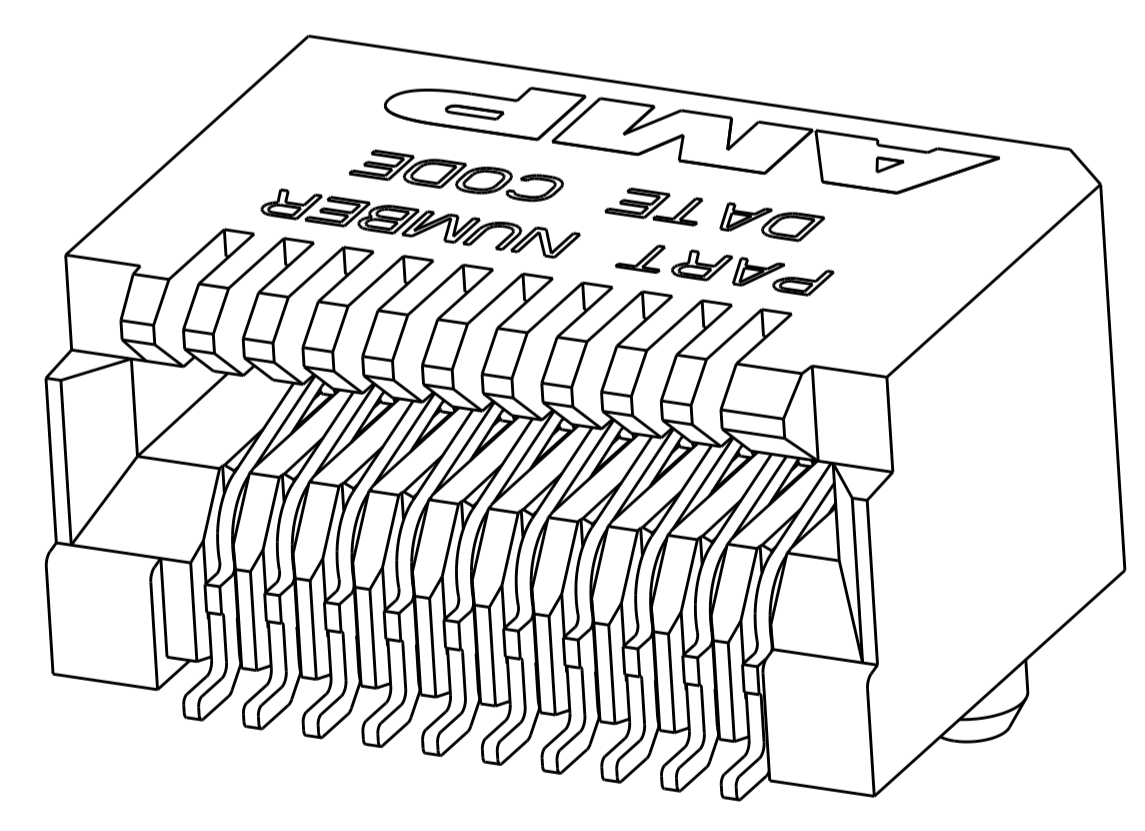
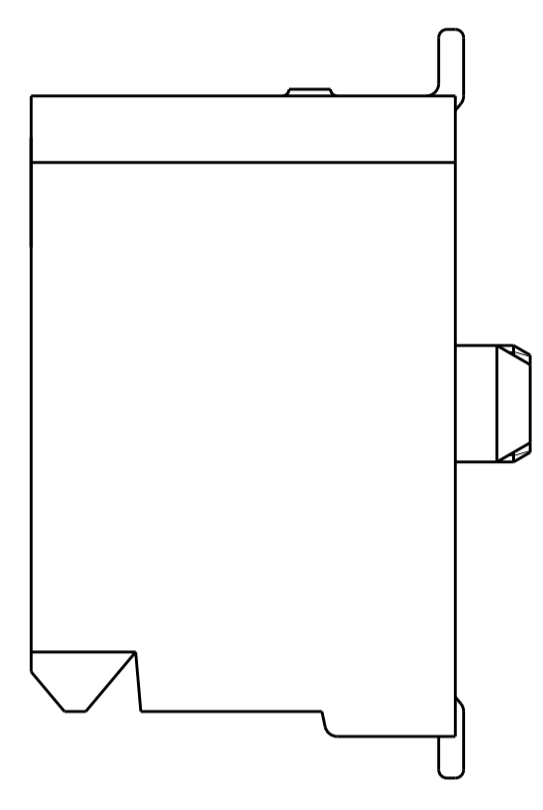
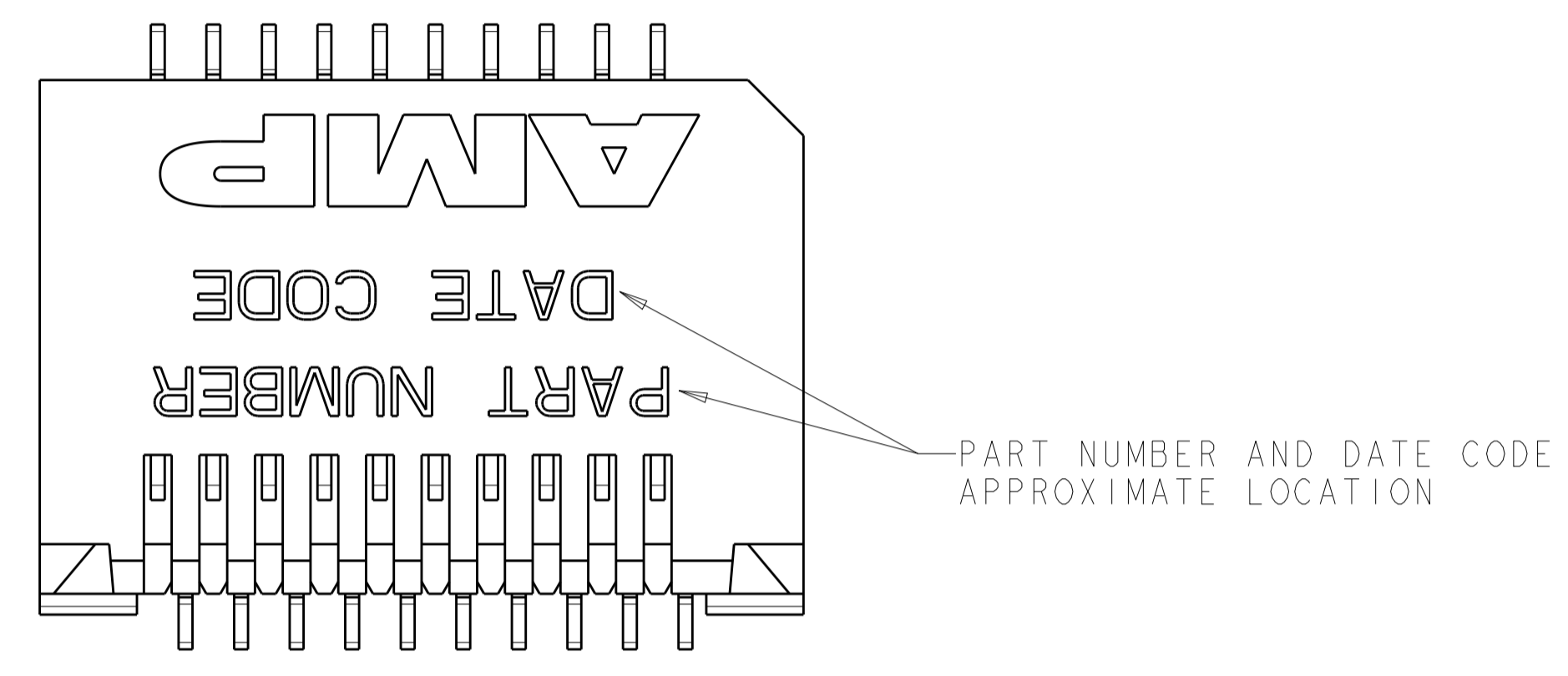
SIZE: A1  
 CAGE CODE: 1367073  
 DRAWING NO: 1367073-6

RESTRICTED TO: M

SCALE: 12:1  
 SHEET: 1 OF 3  
 REV: M1

LOC	DIST	REVISIONS					
		P.	LTH	DESCRIPTION	DATE	DWN	APVD
ES	00	-	-	SEE SHEET 1	-	-	-

1367073-6 AS SHOWN  
 PRINT PART NUMBER AND DATE CODE ON TOP  
 ALL OTHERS SAME AS 1367073-1



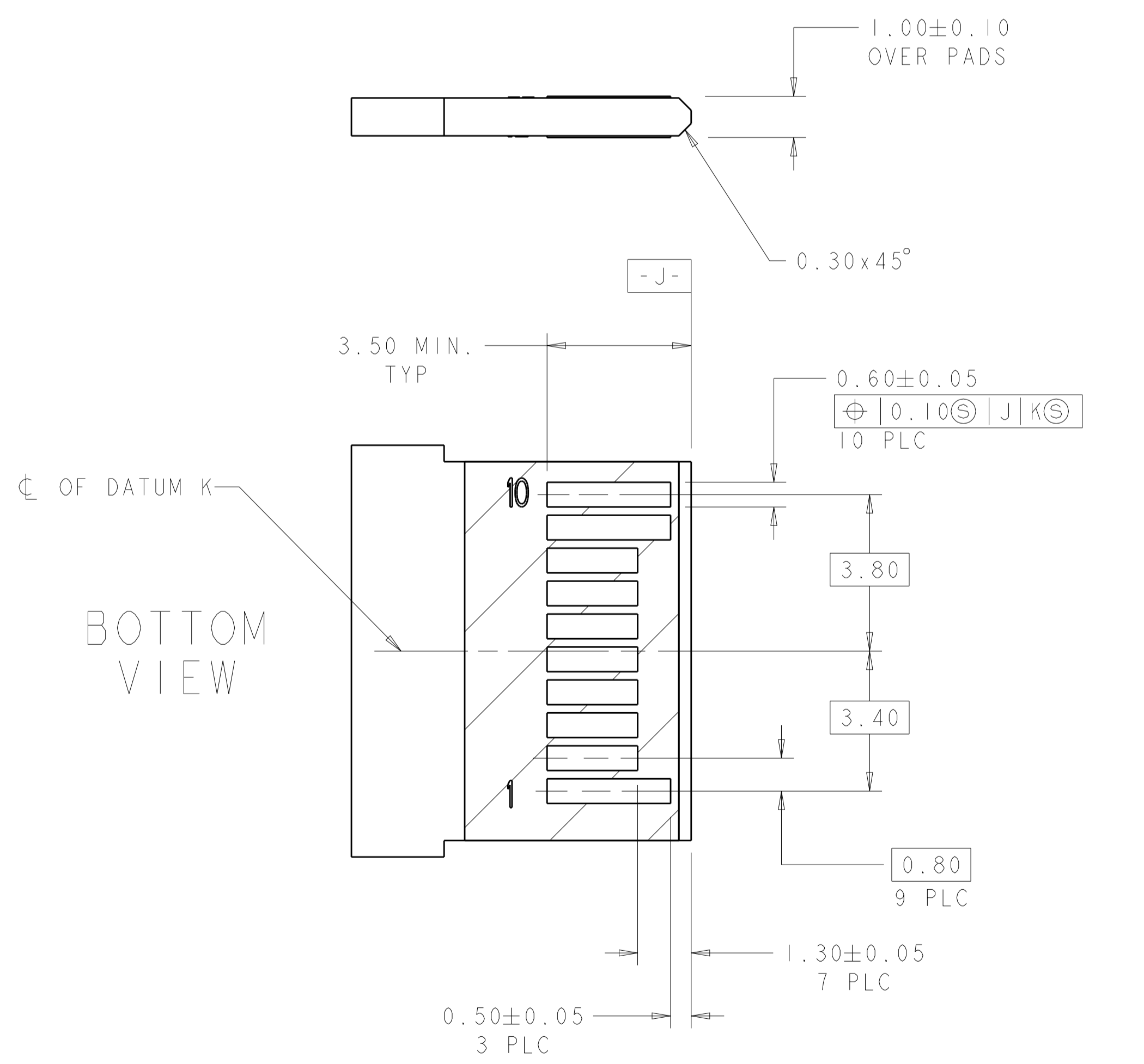
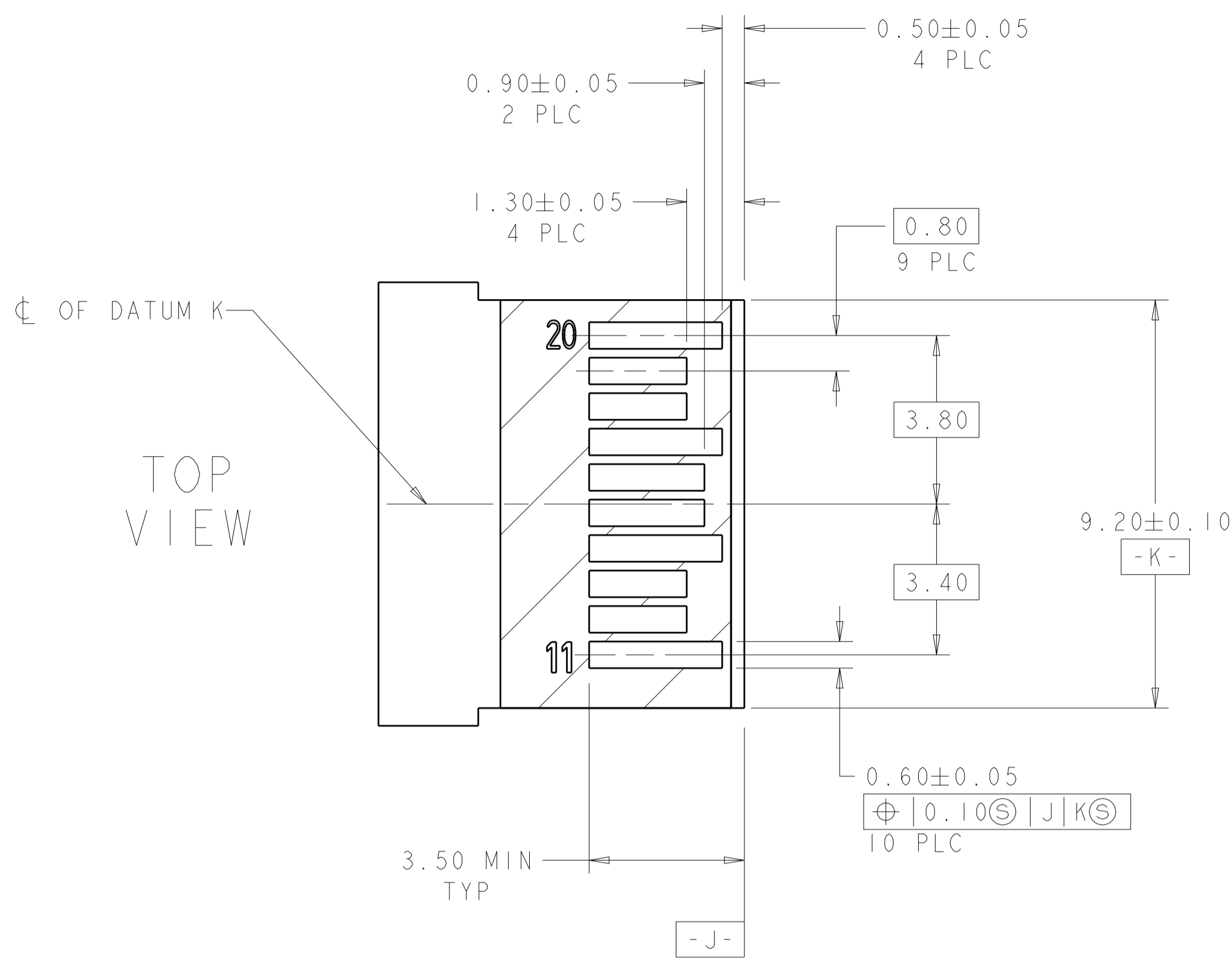
1367073-1 AS SHOWN  
 SCALE 11:1

THIS DRAWING IS A CONTROLLED DOCUMENT.		OWN P. KERLIN	01MAR2000	TE Connectivity	NAME PT CONNECTOR ASSEMBLY, 20 POSITION, SFP, RTANG, 0.8MM		
DIMENSIONS:		CHK E. BRIGHT	01MAR2000				
TOLERANCES UNLESS OTHERWISE SPECIFIED:		APVD E. BRIGHT	01MAR2000				
mm		PRODUCT SPEC					
0 PLC	±	108-1949		SIZE	CAGE CODE	DRAWING NO	RESTRICTED TO
1 PLC	±0.10	APPLICATION SPEC		A1	00779	C=1367073	-
2 PLC	±	WEIGHT		Customer Drawing			
3 PLC	±	FINISH		SCALE	12:1	SHEET	2 OF 3
4 PLC	±	ANGLES		REV. M			
5 PLC	±						
6 PLC	±						
7 PLC	±						
8 PLC	±						
9 PLC	±						
10 PLC	±						
11 PLC	±						
12 PLC	±						
13 PLC	±						
14 PLC	±						
15 PLC	±						
16 PLC	±						
17 PLC	±						
18 PLC	±						
19 PLC	±						
20 PLC	±						

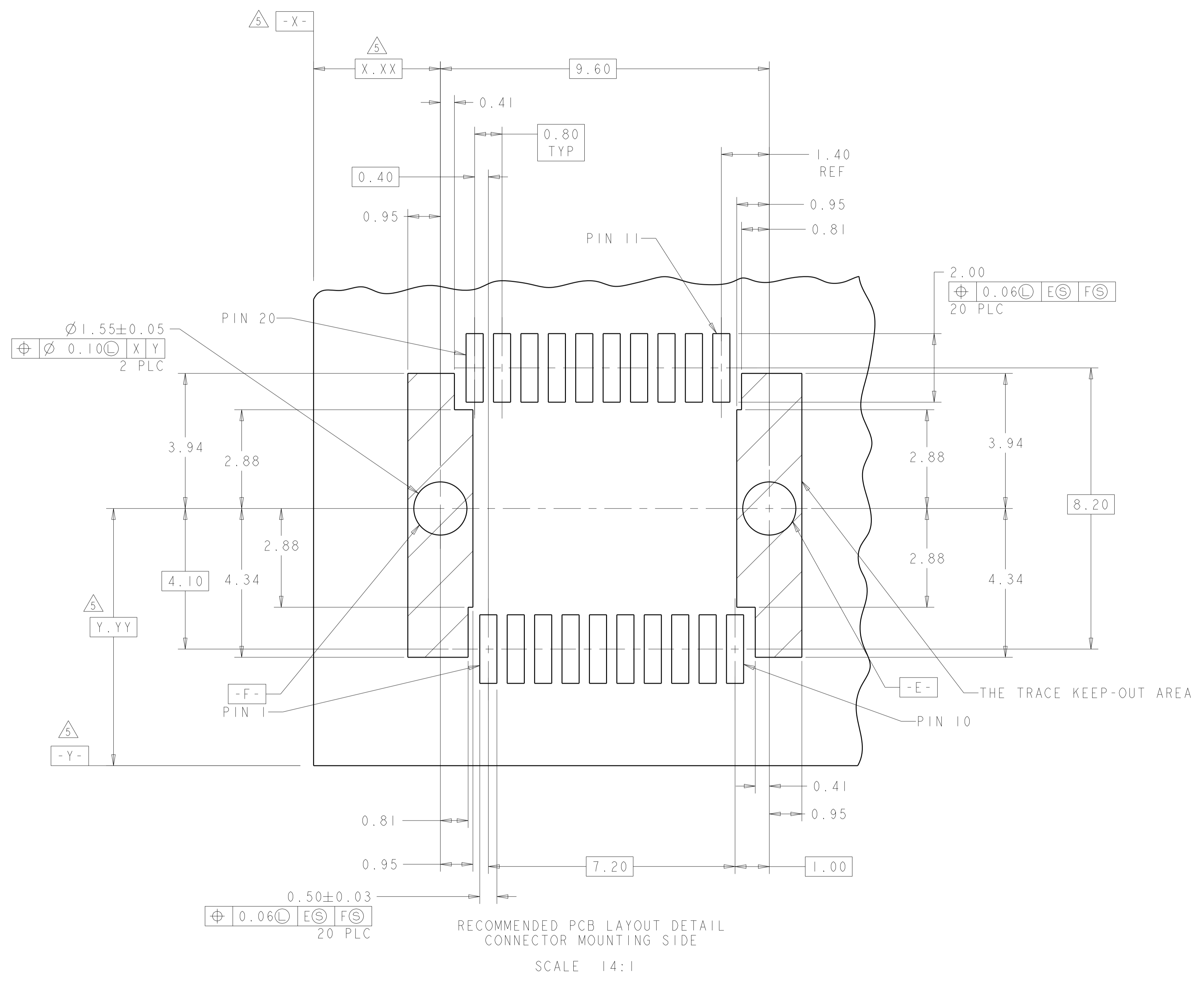
LOC	DIST	REV	DATE	BY	APPV
ES	00				

REVISIONS			
NO.	DESCRIPTION	DATE	BY
1	SEE SHEET 1		



RECOMMENDED LAYOUT DETAIL  
MATING TRANSCEIVER PCB  
SCALE 10:1



RECOMMENDED PCB LAYOUT DETAIL  
CONNECTOR MOUNTING SIDE  
SCALE 14:1

THIS DRAWING IS A CONTROLLED DOCUMENT.		DWN P. KERLIN 01MAR2000	TE Connectivity										
DIMENSIONS: mm		CHK E. BRIGHT 01MAR2000											
TOLERANCES UNLESS OTHERWISE SPECIFIED:		APVD F. BRIGHT 01MAR2000	NAME PT CONNECTOR ASSEMBLY, 20 POSITION, SFP, RTANG, 0.8MM										
<table border="1"> <tr><td>0 PLC</td><td>±</td></tr> <tr><td>1 PLC</td><td>±0.10</td></tr> <tr><td>2 PLC</td><td>±</td></tr> <tr><td>3 PLC</td><td>±</td></tr> <tr><td>4 PLC</td><td>±</td></tr> </table>		0 PLC	±	1 PLC	±0.10	2 PLC	±	3 PLC	±	4 PLC	±	PRODUCT SPEC 108-1949	RESTRICTED TO
0 PLC	±												
1 PLC	±0.10												
2 PLC	±												
3 PLC	±												
4 PLC	±												
<table border="1"> <tr><td>ANGLES</td><td>±</td></tr> <tr><td>FINISH</td><td></td></tr> </table>		ANGLES	±	FINISH		APPLICATION SPEC 114-13017	SIZE CAGE CODE DRAWING NO. A100779C=1367073						
ANGLES	±												
FINISH													
MATERIAL		WEIGHT	SCALE 12:1 SHEET 3 OF 2 REV M1										
		Customer Drawing											

## X-ON Electronics

Largest Supplier of Electrical and Electronic Components

*Click to view similar products for [I/O Connectors](#) category:*

*Click to view products by [TE Connectivity](#) manufacturer:*

Other Similar products are found below :

[571763P](#) [58098-0628](#) [72.250.1628.2](#) [72.250.2428.2](#) [74720-0505](#) [76.350.0729.0](#) [76871-1403](#) [FCN-244F080-G/1](#) [FCN-260A9920](#) [PCR-E36PM](#) [PCS-XE26MA+](#) [G38A71314B](#) [1571250010](#) [157-22500-3](#) [MS3471L14-19P L/C](#) [172501-4002](#) [172501-6002](#) [FCN-260C008-A/L0](#) [FCN-260C024-AL0](#) [FCN-261Z008](#) [2000314-1](#) [200331-1](#) [PCR-E36FC+](#) [PCS-E28FS+](#) [PCS-XE26SLFD+](#) [PCS-XE26SLFDT+](#) [G730VID08BDC24](#) [U90B2054081210](#) [38113800006](#) [DP3AR020WQ1R200](#) [Z4.102.0680.0](#) [500-1040](#) [500-1052](#) [500-1054](#) [ZP-4008-66L](#) [0709821002](#) [DX40-20P\(55\)](#) [5554841-1](#) [MS3474W18-8P-LC\\*](#) [U90B3054061110](#) [U65-E04-4020](#) [ZPF000000000097891](#) [747360449](#) [10099439-003C-TRLF](#) [10137239-0021LF](#) [E9320-001-01](#) [10137239-0011LF](#) [70289-001LF](#) [70.060.1028.0](#) [109029-ZZ](#)