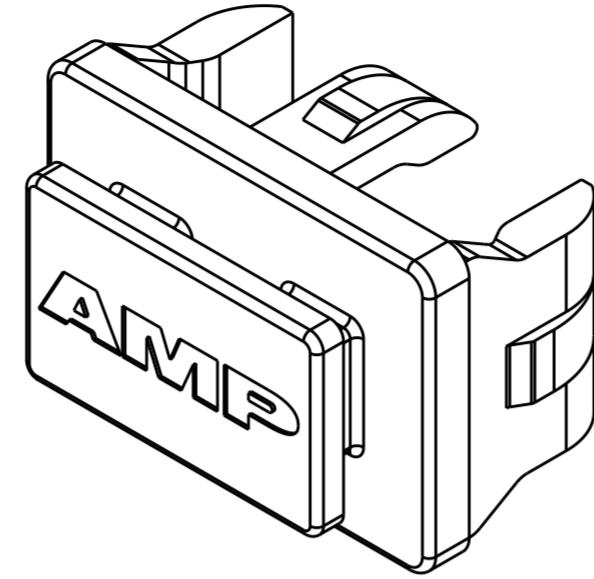
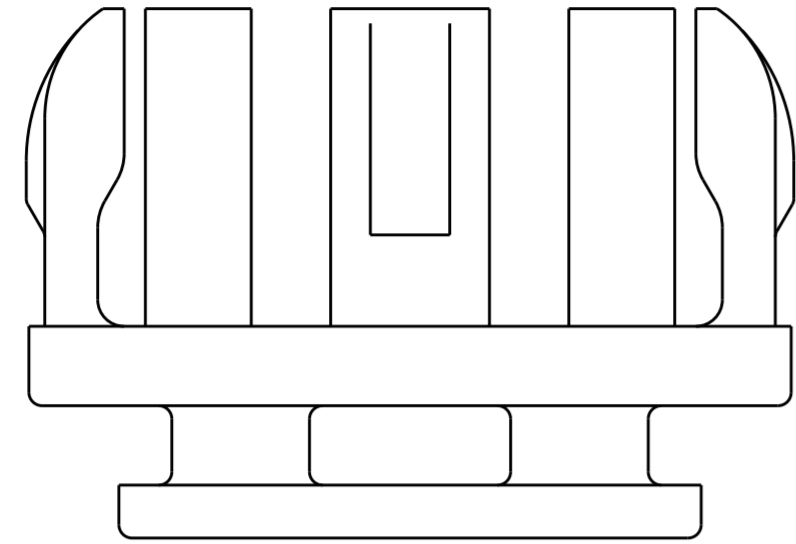


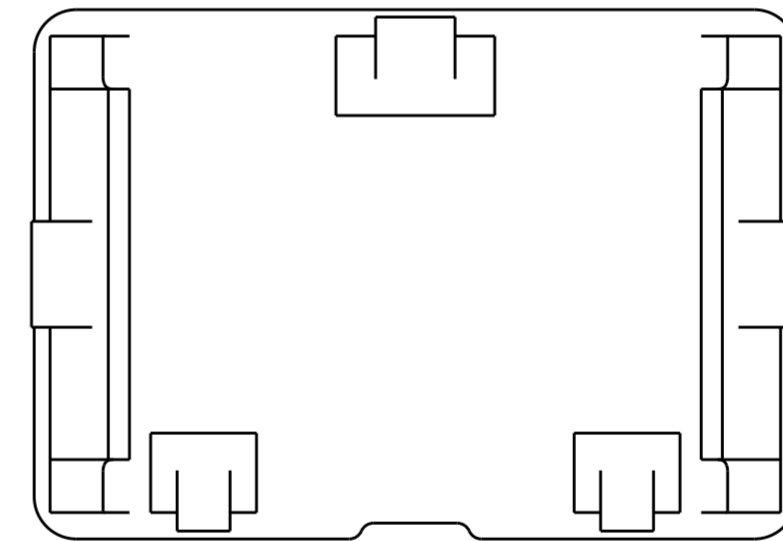
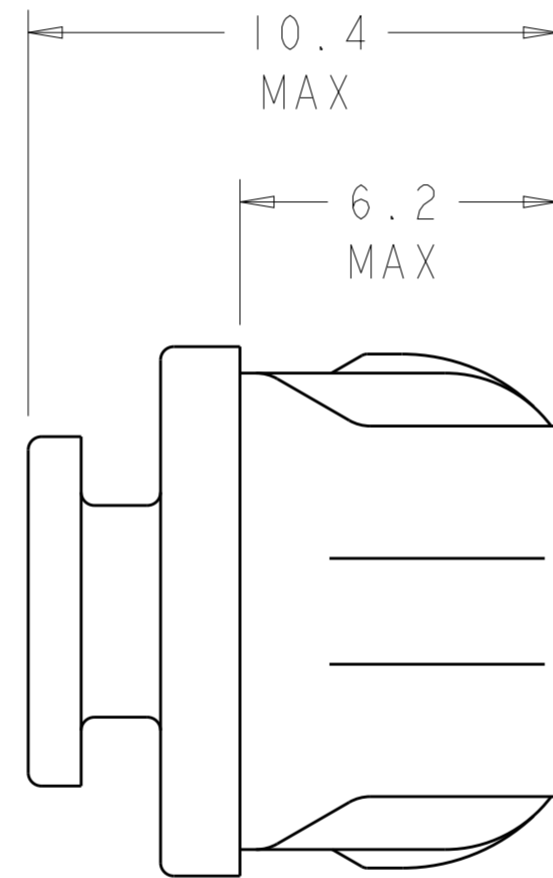
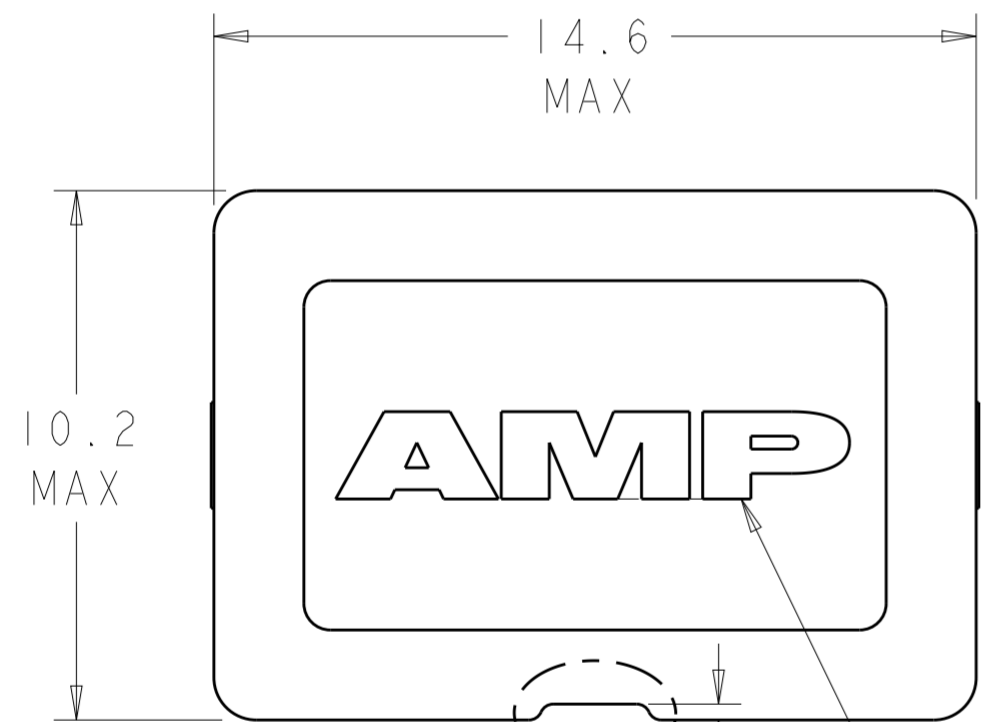
THIS DRAWING IS UNPUBLISHED. RELEASED FOR PUBLICATION 20  
 © COPYRIGHT 20 ALL RIGHTS RESERVED.

LOC	DIST	REVISIONS					
GP	00	P	LTR	DESCRIPTION	DATE	DWN	APVD
		C3		REVISED PER ECO-14-011961	5AUG2014	KS	MQ.W
		C4		REVISED PER ECO-15-007319	3JUN2015	JW	SH
		C5		REVISED PER ECO-15-011593	10AUG2015	JW	SH
		D		REVISED PER ECR-18-010438	04JUL2018	IT	SH



SCALE 5:1

- ① THERMOPLASTIC MOLDING COMPOUND.
- ② TIN PLATING OVER COPPER PLATING.
- ③ OBSOLETE.
- ④ OPTIONAL GATE RECESS FEATURE.



AMP LOGO FOR -1 & -2  
 0.3 REF  
 2.5 REF  
 ④

NO	-	①	1367147-3
YES	②	1367147-1	③ 1367147-2
YES	-	①	1367147-1
AMP LOGO	FINISH	MATERIAL	PART NUMBER

THIS DRAWING IS A CONTROLLED DOCUMENT.		DWN P. KERLIN 30AUG2000	<b>STE</b> TE Connectivity	
DIMENSIONS: mm		CHK E. BRIGHT 30AUG2000		
TOLERANCES UNLESS OTHERWISE SPECIFIED:		APVD E. BRIGHT 30AUG2000	NAME COVER, SFP	
0 PLC ± 1 PLC ± 2 PLC ± 3 PLC ± 4 PLC ± ANGLES ± FINISH		PRODUCT SPEC -	SIZE A200779	
MATERIAL SEE TABLE		APPLICATION SPEC -	DRAWING NO C-1367147	
SEE TABLE		WEIGHT -	RESTRICTED TO	
		CUSTOMER DRAWING	SCALE 7:1 SHEET 1 OF 1 REV D	

## X-ON Electronics

Largest Supplier of Electrical and Electronic Components

*Click to view similar products for [I/O Connectors](#) category:*

*Click to view products by [TE Connectivity](#) manufacturer:*

Other Similar products are found below :

[571763P](#) [58098-0628](#) [72.250.1628.2](#) [72.250.2428.2](#) [74720-0505](#) [76.350.0729.0](#) [76871-1403](#) [FCN-244F080-G/1](#) [FCN-260A9920](#) [PCR-E36PM](#) [PCS-XE26MA+](#) [G38A71314B](#) [1571250010](#) [157-22500-3](#) [MS3471L14-19P L/C](#) [172501-4002](#) [172501-6002](#) [FCN-260C008-A/L0](#) [FCN-260C024-AL0](#) [FCN-261Z008](#) [2000314-1](#) [200331-1](#) [PCR-E36FC+](#) [PCS-E28FS+](#) [PCS-XE26SLFD+](#) [PCS-XE26SLFDT+](#) [G730VID08BDC24](#) [U90B2054081210](#) [38113800006](#) [DP3AR020WQ1R200](#) [Z4.102.0680.0](#) [500-1040](#) [500-1052](#) [500-1054](#) [ZP-4008-66L](#) [0709821002](#) [DX40-20P\(55\)](#) [5554841-1](#) [MS3474W18-8P-LC\\*](#) [U90B3054061110](#) [U65-E04-4020](#) [ZPF000000000097891](#) [747360449](#) [10099439-003C-TRLF](#) [10137239-0021LF](#) [E9320-001-01](#) [10137239-0011LF](#) [70289-001LF](#) [70.060.1028.0](#) [109029-ZZ](#)