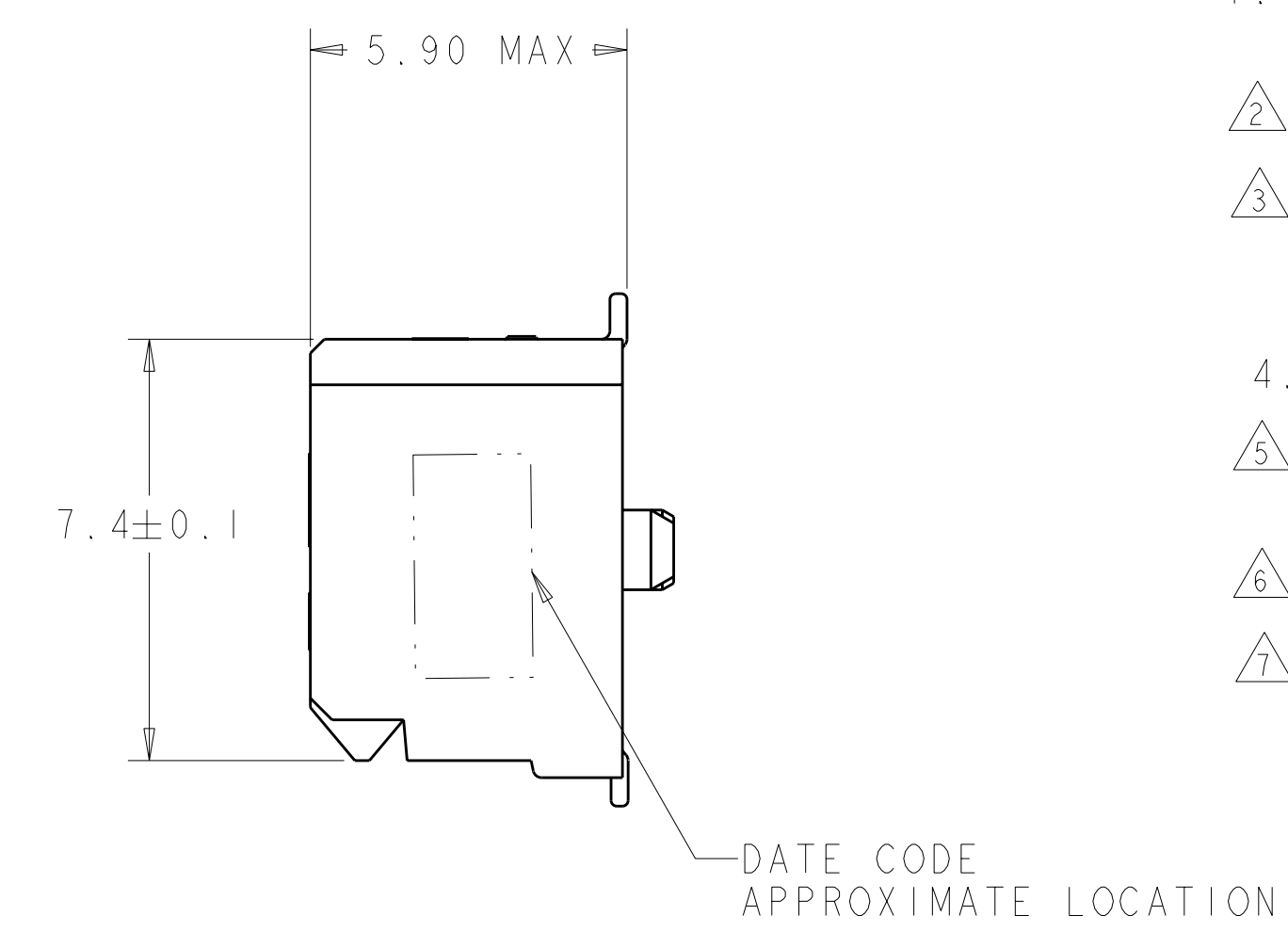
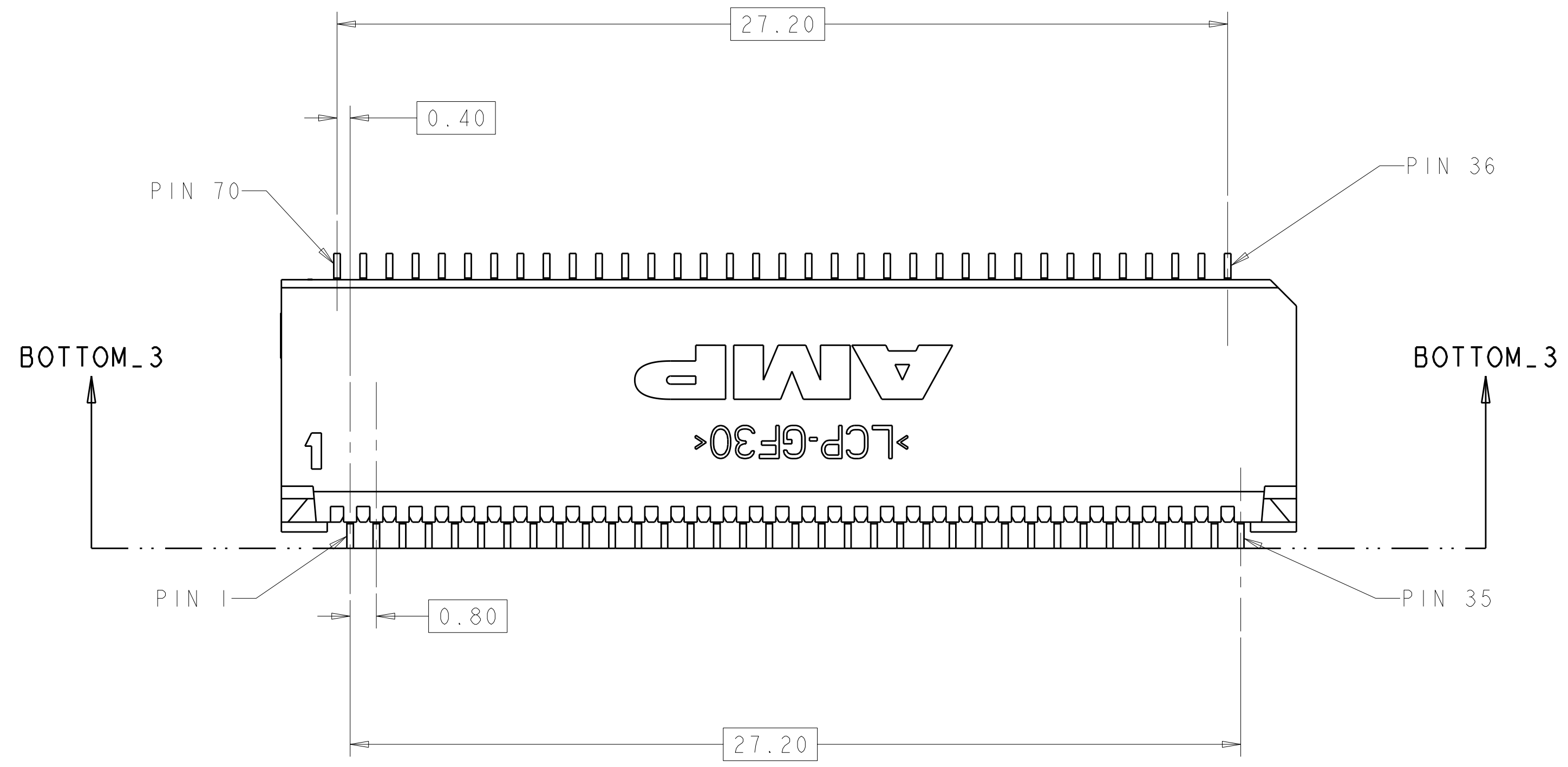
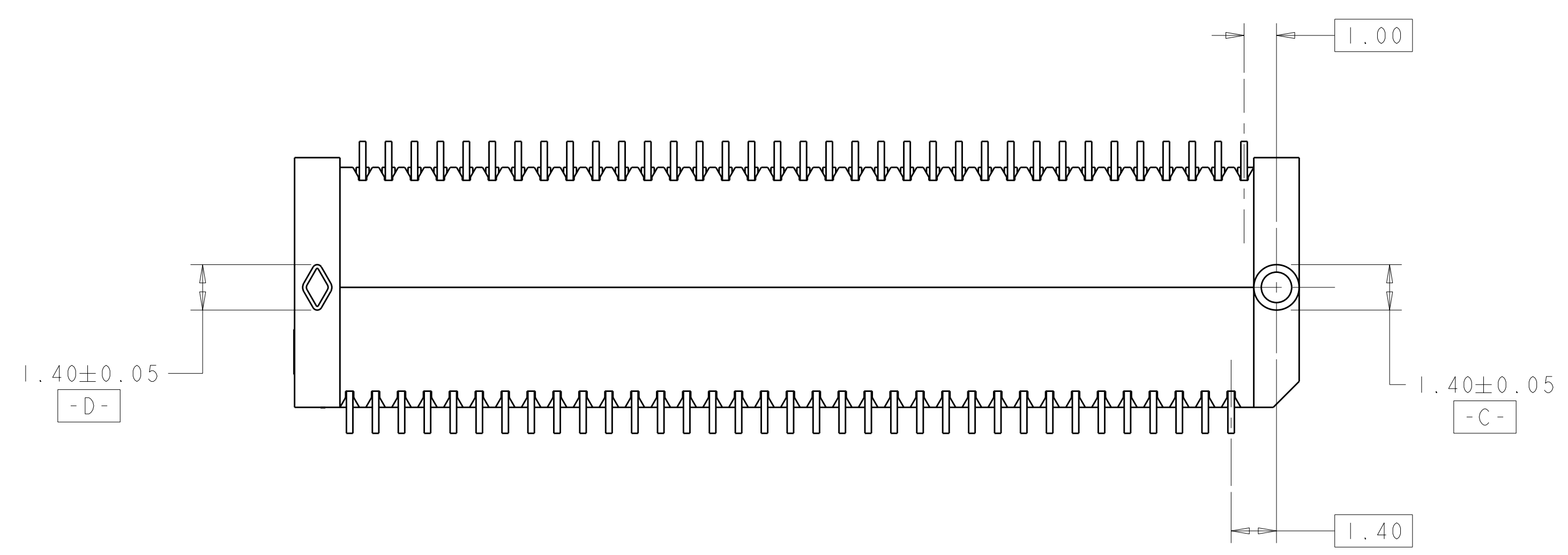
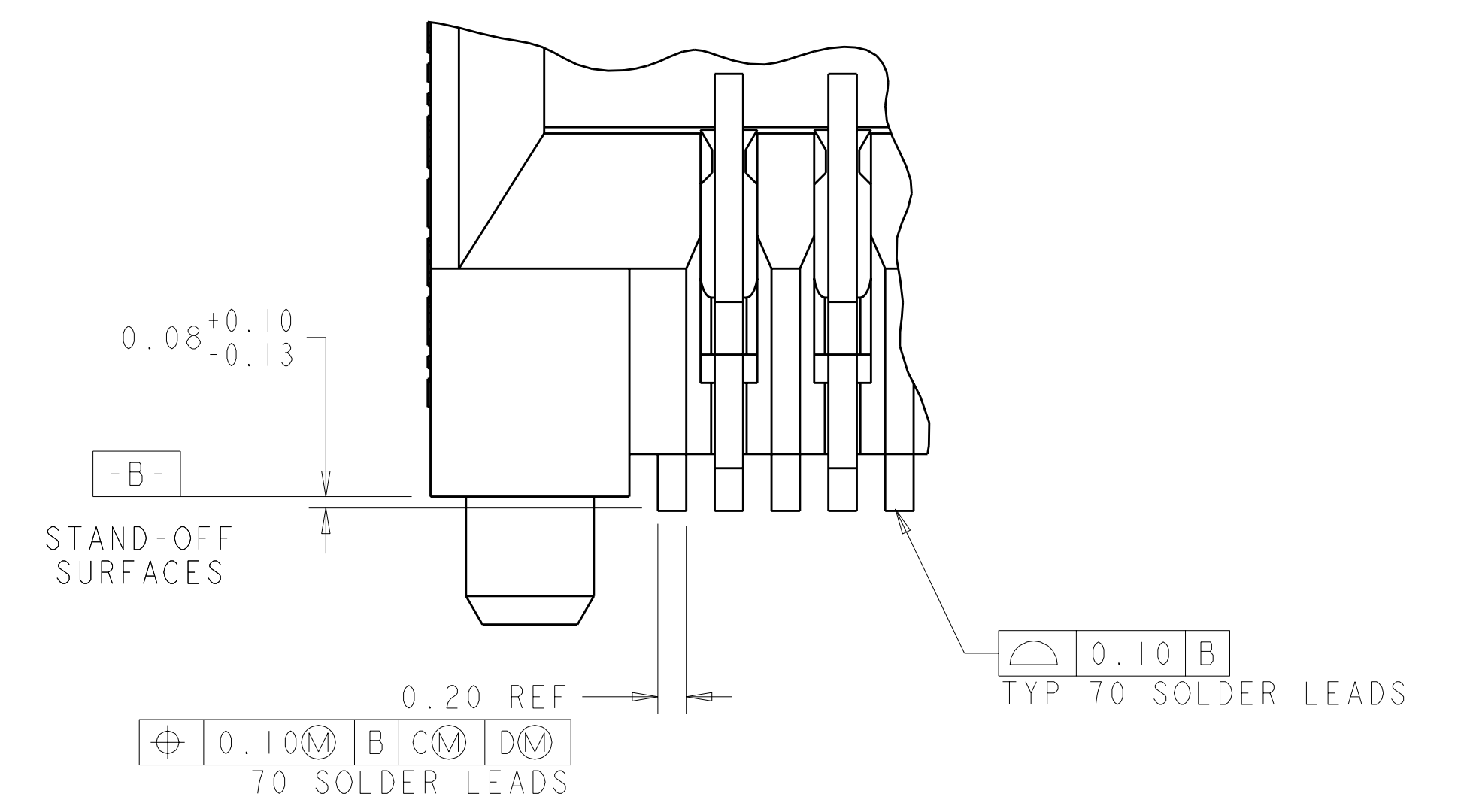
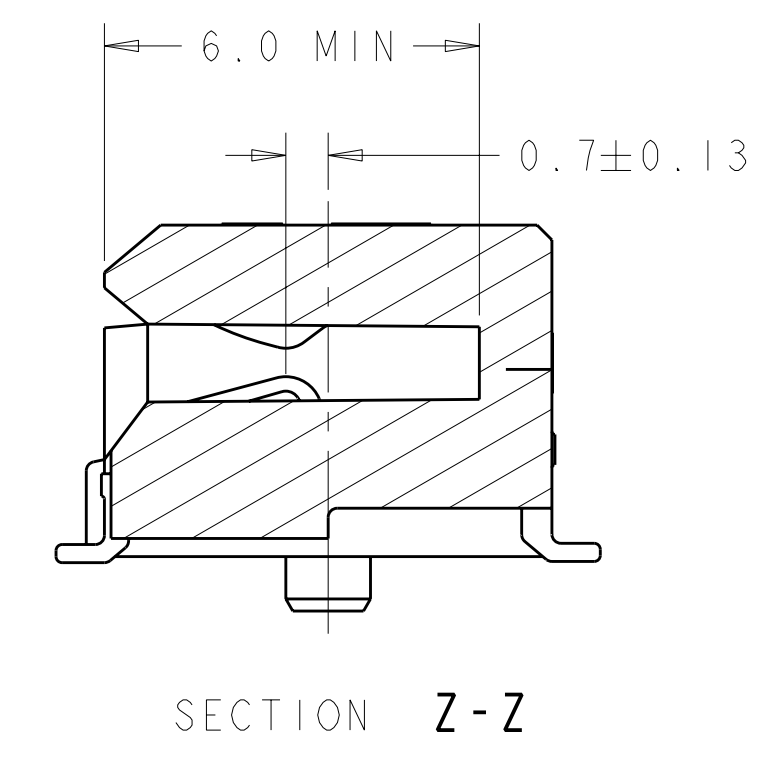
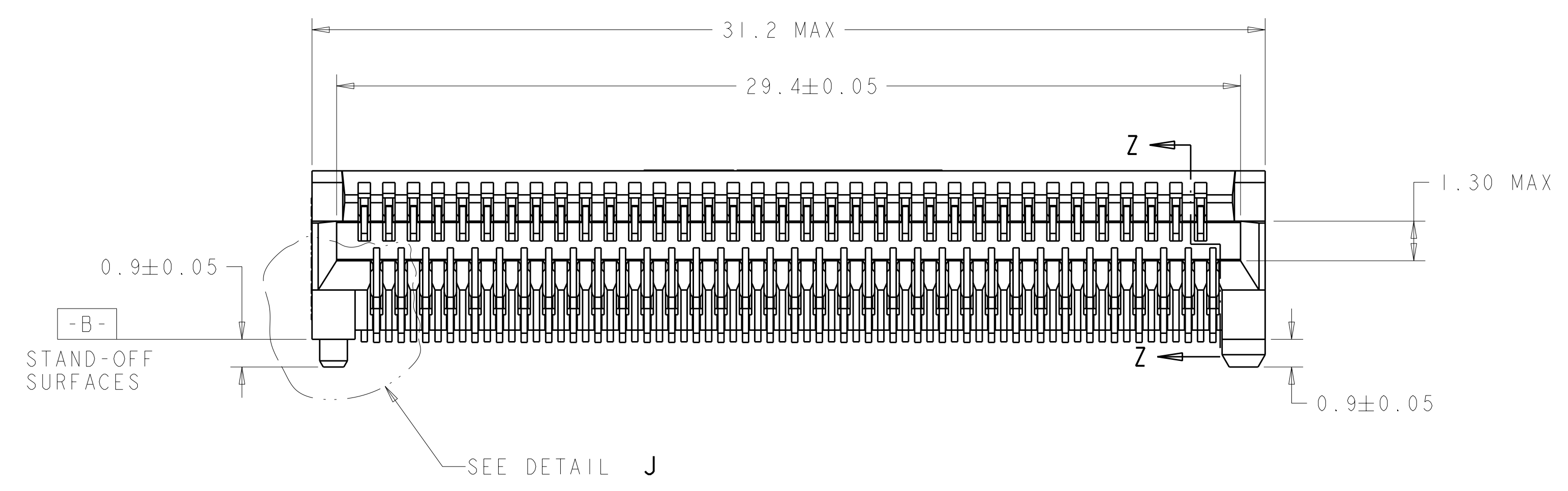
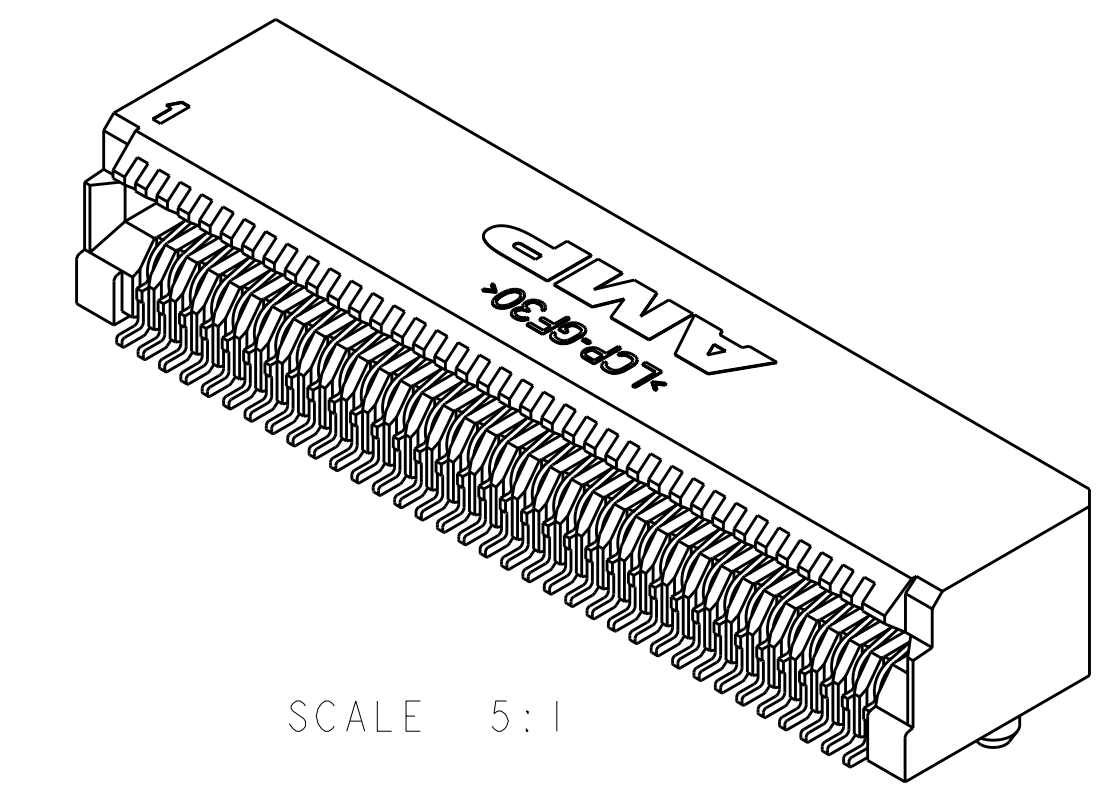


LOC	DIST	REV	DATE	BY	APPD
ES	00				
H3		ECR-11-001732	25JAN2011	KS	MO, W
H4		REVISED PER ECR-11-009789	11MAY2011	KS	MO, W



- PART COMPATABLE XENPAK & X2 MSA. REFER TO THESE MSA'S FOR DIMENSIONS NOT SHOWN ON THIS PRINT.
- HOUSING: HIGH TEMPERATURE LCP, UL 94V-0 RATED, BLACK.
- CONTACTS: 0.00038 MIN GOLD IN CONTACT AREA, 0.00013 MIN GOLD ON SOLDER AREA, OVER 0.0038 MIN NICKEL UNDERPLATE ON ENTIRE CONTACT.
- PACKAGED 480 PIECES PER REEL.
- GROUND, POWER AND SIGNAL PAD ARRANGEMENT TO BE DETERMINED BY CUSTOMER.
- DATUMS AND BASIC DIMENSIONS ESTABLISHED BY CUSTOMER.
- CONTACTS: 0.00076 MIN GOLD IN CONTACT AREA, 0.00013 MIN GOLD ON SOLDER AREA, OVER 0.0038 MIN NICKEL UNDERPLATE ON ENTIRE CONTACT.



DETAIL J  
SCALE 25:1

YES	△1	1367337-4
YES	△3	1367337-3
NO	△7	1367337-2
NO	△3	1367337-1
DATE CODE	FINISH	PART NUMBER

THIS DRAWING IS A CONTROLLED DOCUMENT.

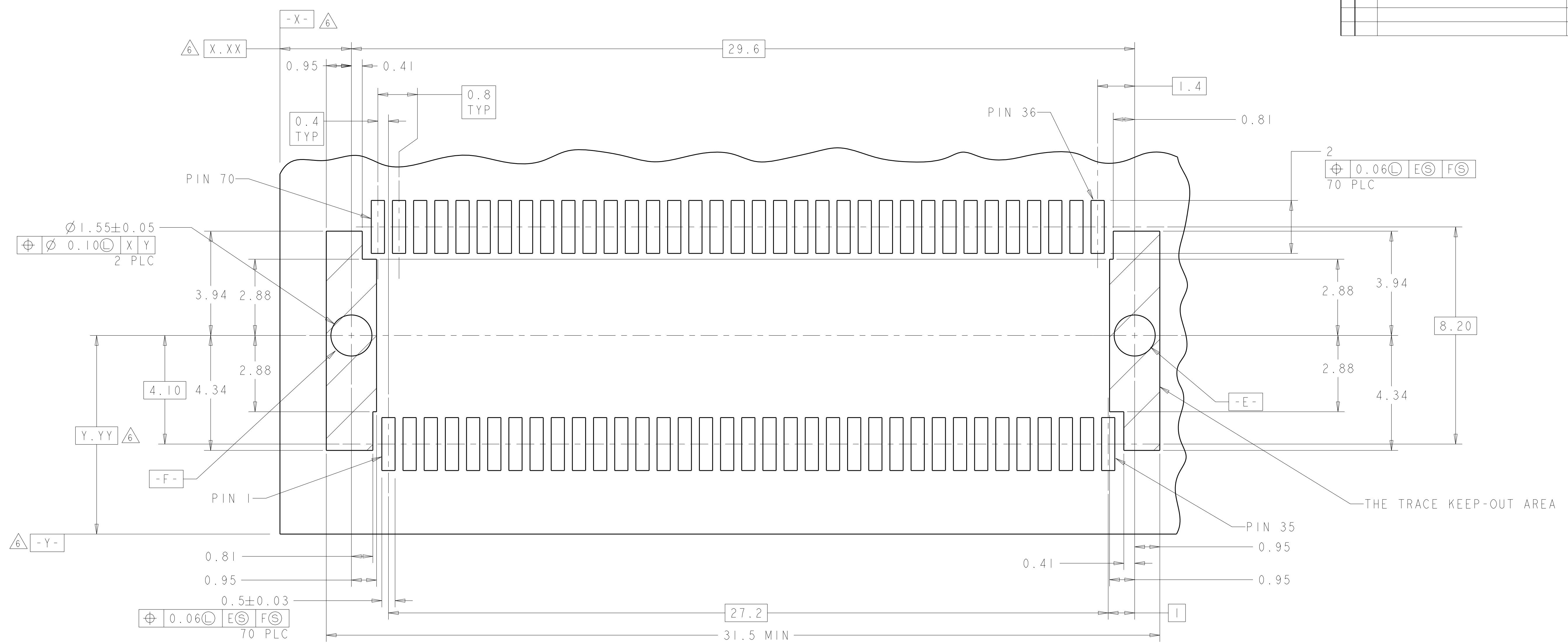
DIMENSIONS:	TOLERANCES UNLESS OTHERWISE SPECIFIED:	OWN: D. BROCKWAY 12FEB01	CHK: J. KOPPENHEFFER 08JUN01	APVD: S. GOOD 08JUN01	NAME: PT CONNECTOR ASSEMBLY, 70 POSITION, RTANG, 0.8MM
mm	0 PLC ± 1 PLC ±0.10 3 PLC ± 4 PLC ± ANGLES ±	PRODUCT SPEC: 108-1949	APPLICATION SPEC: 114-13017	WEIGHT: -	SIZE: A100779
MATERIAL: △2	FINISH: SEE TABLE	CUSTOMER DRAWING	SCALE: 8:1	SHEET: 1 OF 2	REV: H4

STE TE Connectivity

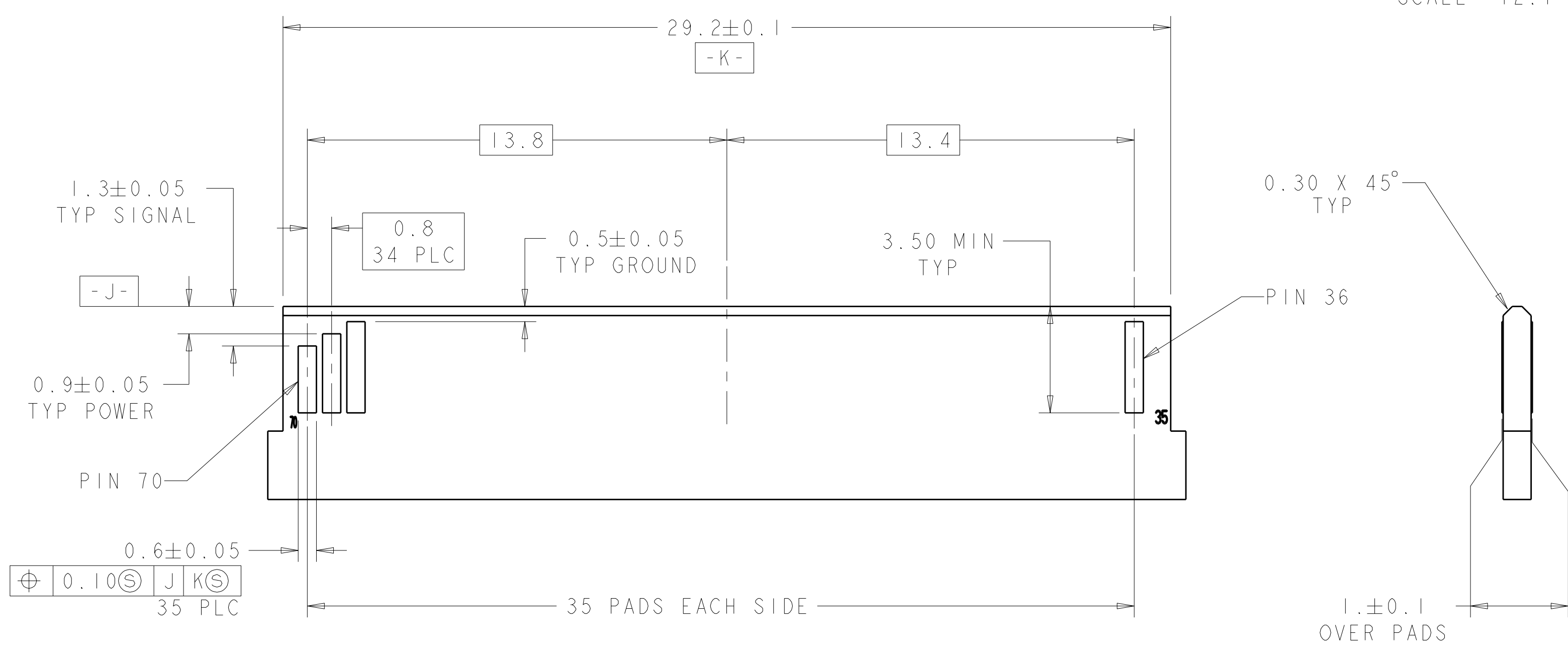
LOC	DIST	REV	DATE	BY	APPROV
ES	00				

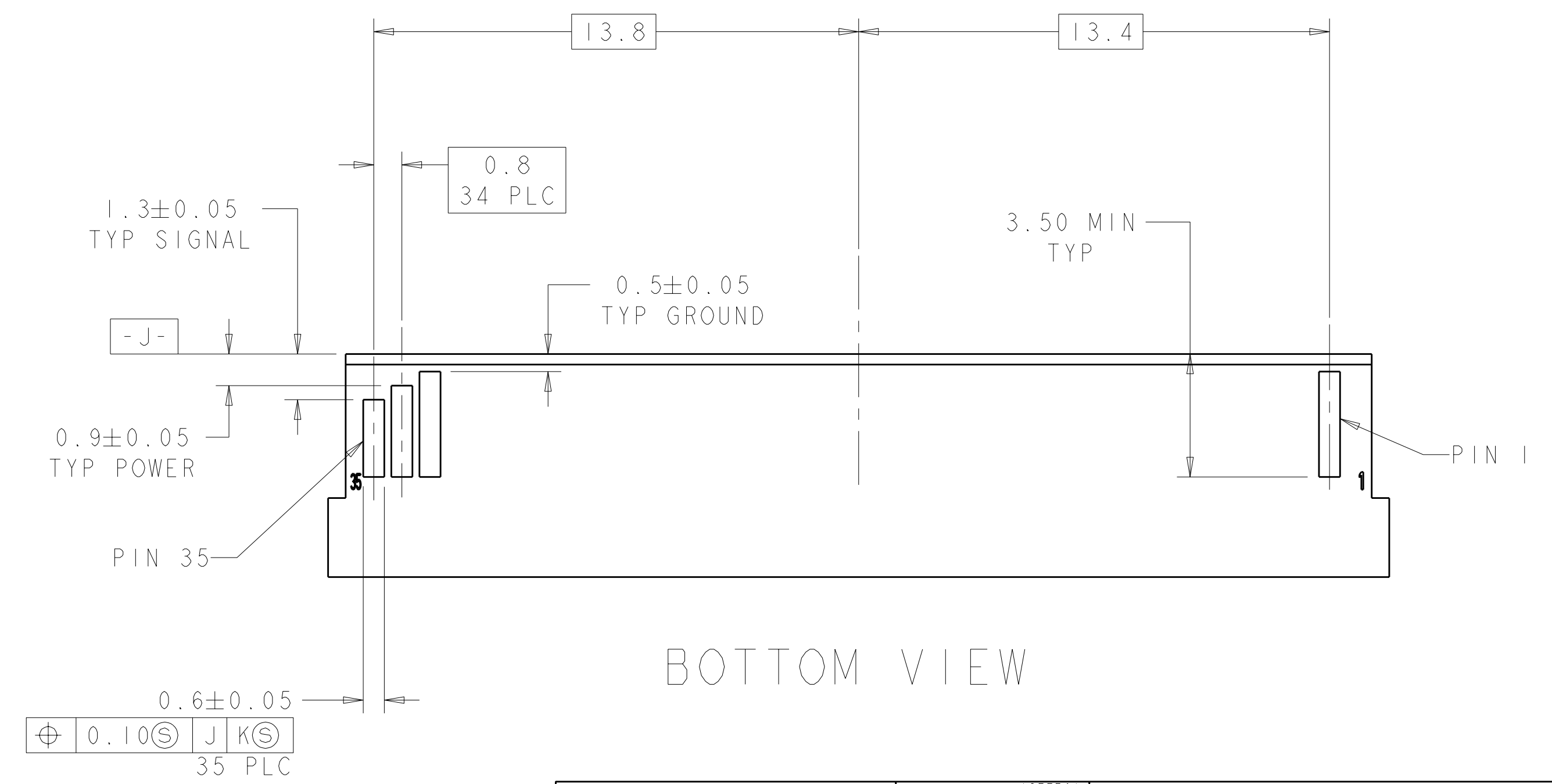
REVISIONS		DATE	BY	APPROV
1	SEE SHEET 1			



RECOMMENDED PCB LAYOUT DETAIL  
 CONNECTOR MOUNTING SIDE  
 SCALE 12:1



TOP VIEW



BOTTOM VIEW

RECOMMENDED LAYOUT DETAIL  
 MATING PCB

THIS DRAWING IS A CONTROLLED DOCUMENT.		DWN D. BROCKWAY	12FEB01	TE Connectivity	
DIMENSIONS:		CHK J. KOPPENHEFFER	08JUN01		
TOLERANCES UNLESS OTHERWISE SPECIFIED:		APVD S. GOOD	08JUN01	NAME PT CONNECTOR ASSEMBLY, 70 POSITION, RTANG, 0.8MM	
mm	9 PLC ±	PRODUCT SPEC		SIZE CAGE CODE DRAWING NO	
	1 PLC ±0.10	108-1949		RESTRICTED TO	
	5 PLC ±	APPLICATION SPEC		A100779C-1367337	
	4 PLC ±	114-13017		SCALE 8:1 SHEET 2 OF 2 REV H4	
	ANGLES ±	WEIGHT			
MATERIAL	FINISH	CUSTOMER DRAWING			
SEE TABLE					

## X-ON Electronics

Largest Supplier of Electrical and Electronic Components

*Click to view similar products for [I/O Connectors](#) category:*

*Click to view products by [TE Connectivity](#) manufacturer:*

Other Similar products are found below :

[571763P](#) [72.250.1628.2](#) [72.250.2428.2](#) [74720-0505](#) [76.350.0729.0](#) [76871-1403](#) [FCN-244F080-G/1](#) [FCN-260A9920](#) [MP-5T180MUNNA-005](#)  
[PCR-E36PM](#) [PCS-XE26MA+](#) [G38A71314B](#) [1571250010](#) [157-22500-3](#) [MS3471L14-19P L/C](#) [91-569786-35H](#) [172501-4002](#) [172501-6002](#)  
[FCN-260C008-A/L0](#) [FCN-260C024-AL0](#) [FCN-261Z008](#) [2000314-1](#) [200331-1](#) [PCR-E36FC+](#) [PCS-E28FS+](#) [PCS-XE26SLFD+](#) [PCS-](#)  
[XE26SLFDT+](#) [G730VID08BDC24](#) [HDMR-29-01-S-SM-TR](#) [U90B2054081210](#) [UE86K842720321](#) [38113800006](#) [DP3AR020WQ1R200](#)  
[Z4.102.0680.0](#) [500-1040](#) [500-1052](#) [500-1054](#) [ZP-4008-66L](#) [0709821002](#) [10-565995-597N](#) [DX40-20P\(55\)](#) [5554841-1](#) [U90B3054061110](#)  
[U65-E04-4020](#) [ZPF00000000097891](#) [557-262M2-06C](#) [747360449](#) [10099439-003C-TRLF](#) [10137239-0021LF](#) [E9320-001-01](#)