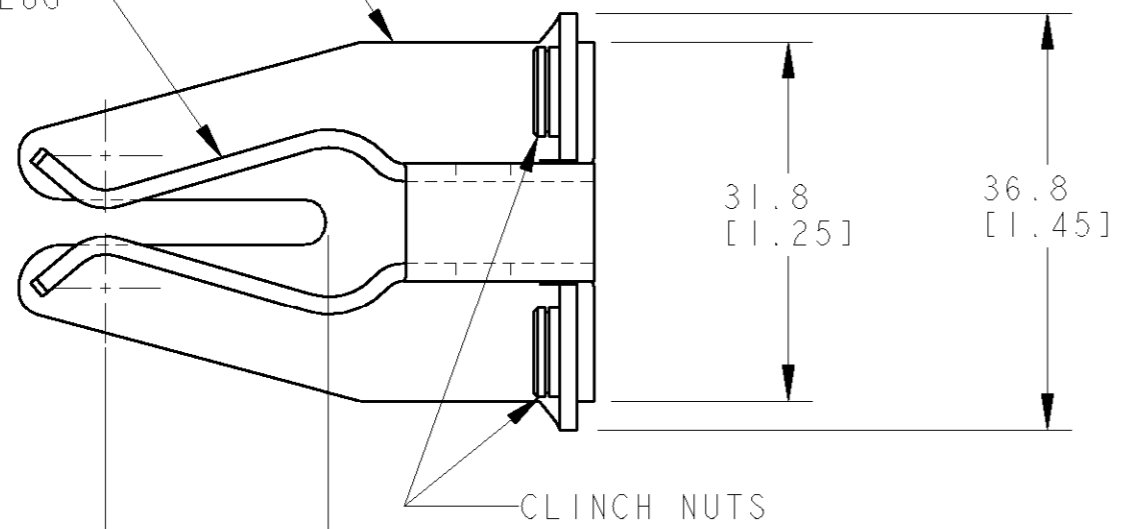


THIS DRAWING IS UNPUBLISHED. RELEASED FOR PUBLICATION 23MAR2001
 © COPYRIGHT 22MAR2001 BY TYCO ELECTRONICS CORPORATION. ALL RIGHTS RESERVED.

| LOC | DIST | REVISIONS | | | |
|-----|------|-------------|-----------------|-----------|----------|
| P | LTR | DESCRIPTION | DATE | DWN | APVD |
| BG | 0 | 0 | RELEASE PER NPR | 28MAR2001 | JM JW |

ANTI-OVERSTRESS PLATE

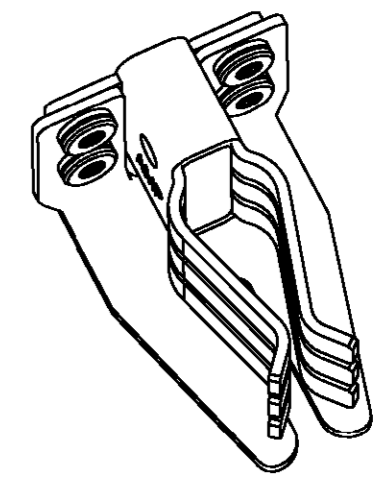
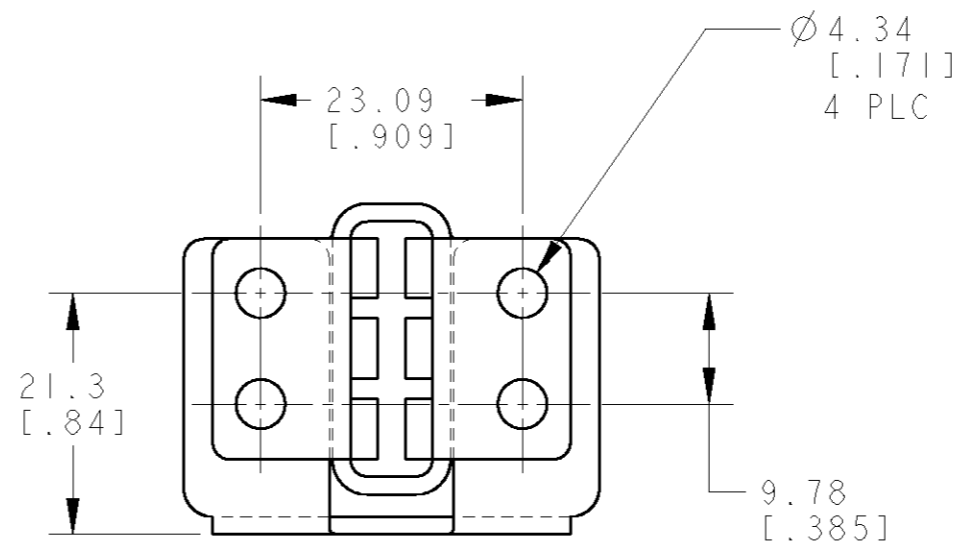
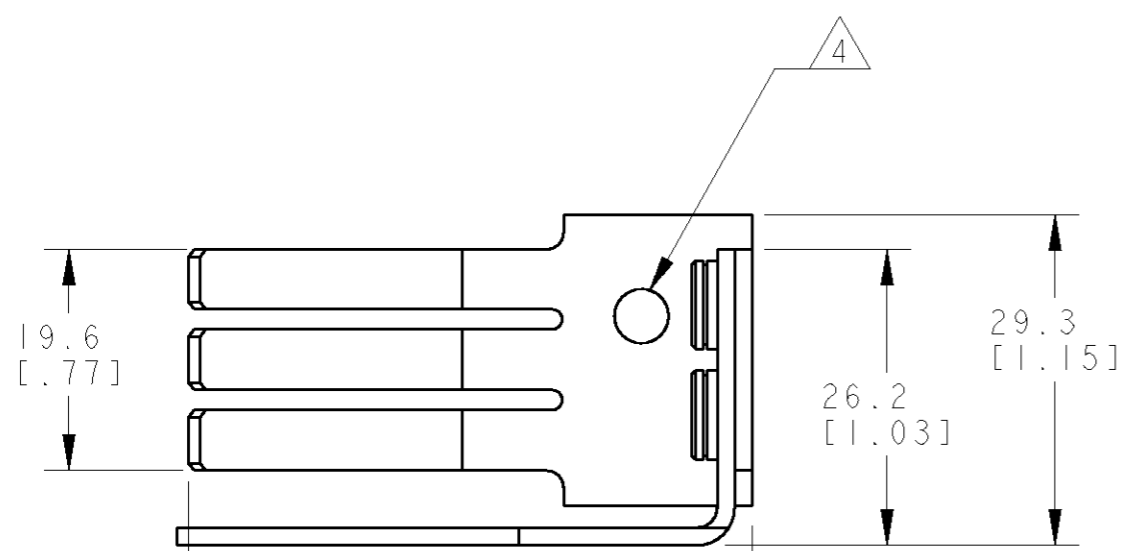
BUSPLUG



19.76
[.778]
2 PLC

- 1 ANTI-OVERTRESS PLATE & CLINCH NUTS: STAINLESS STEEL. BUSPLUG: COPPER ALLOY.
- 2 BUSPLUG: 6.35 MICROMETERS [.000250] MIN SILVER OVER 1.27 MICROMETERS [.000050] MIN NICKEL.
- 3. ALL DIMENSIONS ARE REFERENCE DIMENSIONS ONLY.
- 4 PART MAY HAVE HOLE IN THIS LOCATION, ON BOTH SIDES.

CLINCH NUTS



SCALE 1:1

49.8 [1.96] TYP
50.9 [2.00]

1367369-1
PART NUMBER

| | | | |
|--|--|--|---|
| <small>THIS DRAWING IS A CONTROLLED DOCUMENT FOR TYCO ELECTRONICS CORPORATION. IT IS SUBJECT TO CHANGE AND THE CONTROLLING ENGINEERING ORGANIZATION SHOULD BE CONTACTED FOR THE LATEST REVISION.</small> | | DWN J.J. MILLER 26JAN2001 CHK J. WESTMAN 26JAN2001 APVD J. WESTMAN 29JAN2001 | Tyco Electronics Harrisburg, PA 17105-3608 |
| DIMENSIONS: mm [INCH] | TOLERANCES UNLESS OTHERWISE SPECIFIED: 0 PLC ± 1 PLC ± 2 PLC ±0.02 3 PLC ±0.005 4 PLC ± ANGLES ± | PRODUCT SPEC 108-1101 APPLICATION SPEC 114-02111 WEIGHT - | NAME ASSEMBLY, CONNECTOR, SELF CLINCHING NUTS AND ANTI-OVERSTRESS PLATE |
| MATERIAL 1 | FINISH 2 | SIZE A3 CAGE CODE 00779 DRAWING NO C-1367369 | RESTRICTED TO - |
| CUSTOMER DRAWING | | SCALE 3:2 | SHEET 1 OF 1 REV 0 |

X-ON Electronics

Largest Supplier of Electrical and Electronic Components

Click to view similar products for [I/O Connectors](#) category:

Click to view products by [TE Connectivity](#) manufacturer:

Other Similar products are found below :

[571763P](#) [61-168618-12P](#) [72.250.1628.2](#) [72.250.2428.2](#) [74720-0505](#) [76.350.0729.0](#) [76871-1403](#) [MP-5T180MUNNA-005](#) [PCR-E36PM](#) [PCS-XES68MS+](#) [G38A71314B](#) [9776-18-6](#) [1571250010](#) [157-22500-3](#) [MS3471L14-19P L/C](#) [192991-0703](#) [91-644626-35P](#) [SM3100F14S-58S](#)
[172501-6002](#) [FCN-260C008-A/L0](#) [FCN-260C024-AL0](#) [FCN-261Z008](#) [2000314-1](#) [200331-1](#) [PCR-E36FC+](#) [PCS-E28FS+](#) [PCS-XE26SLFD+](#)
[PCS-XE26SLFDT+](#) [G730VID08BDC24](#) [HDMR-29-01-S-SM-TR](#) [HDRA-E68W1LFDTC-SL+](#) [HDR-E14MSG1+](#) [54182-0605](#) [38113800006](#)
[DP3AR020WQ1R200](#) [Z4.102.0680.0](#) [500-1040](#) [500-1052](#) [500-1054](#) [ZP-4008-66L](#) [10-584459-12P](#) [SM3106F14S-7S-LC](#) [SM3106R18-18S](#)
[U90B3054061110](#) [U65-E04-4020](#) [ZPF000000000097891](#) [557-262M2-06C](#) [60-042222-02S](#) [10099439-003C-TRLF](#) [226-0348-000](#)