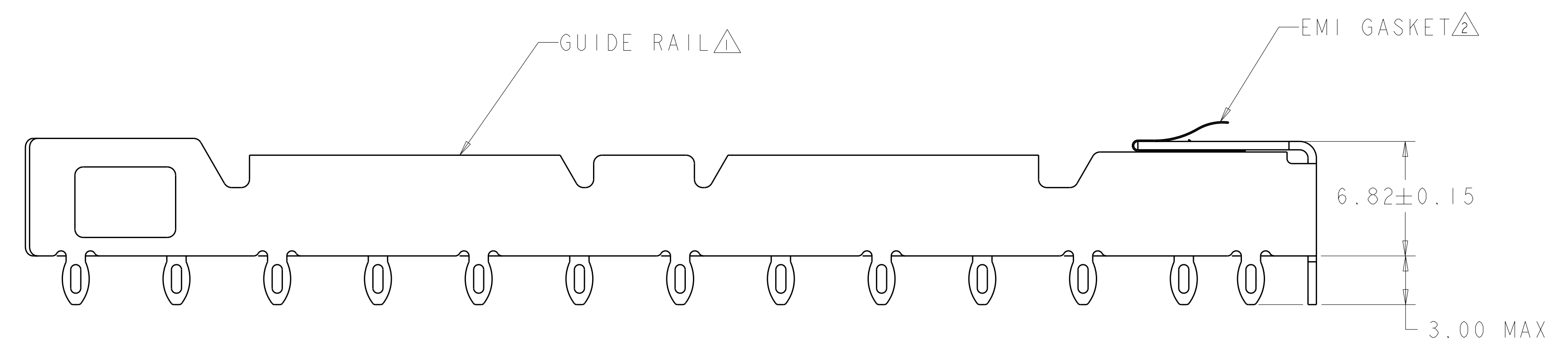
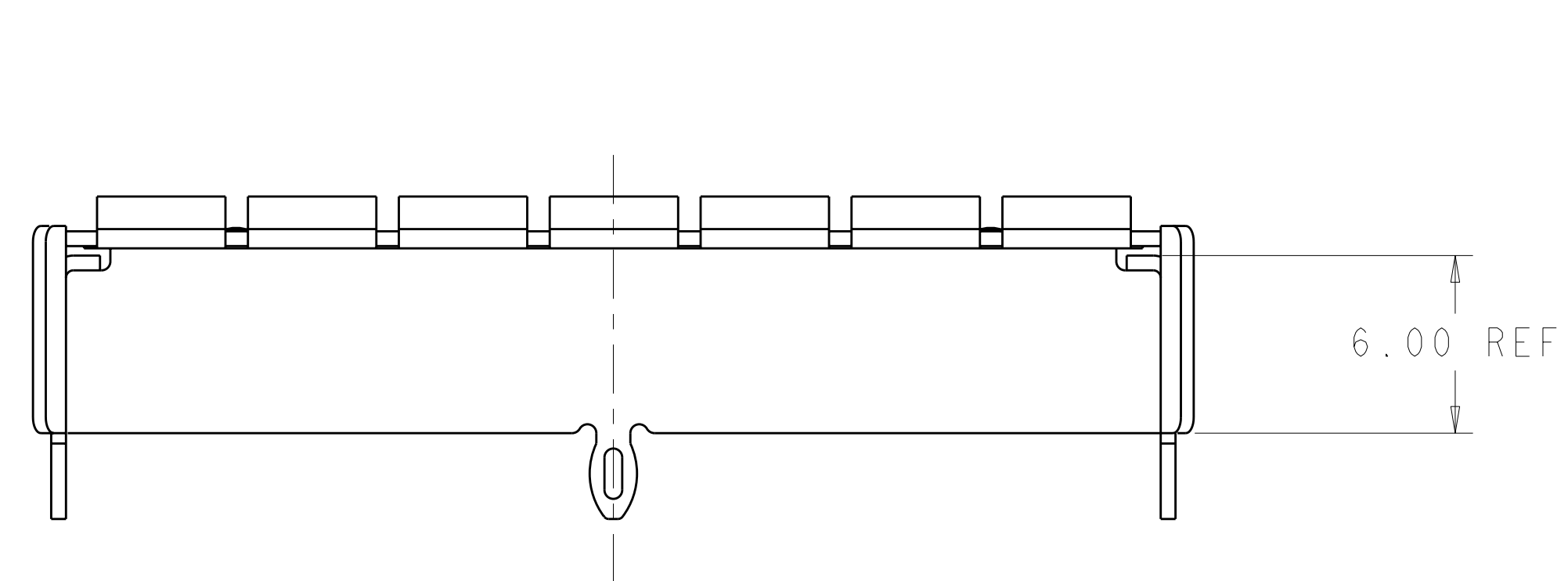
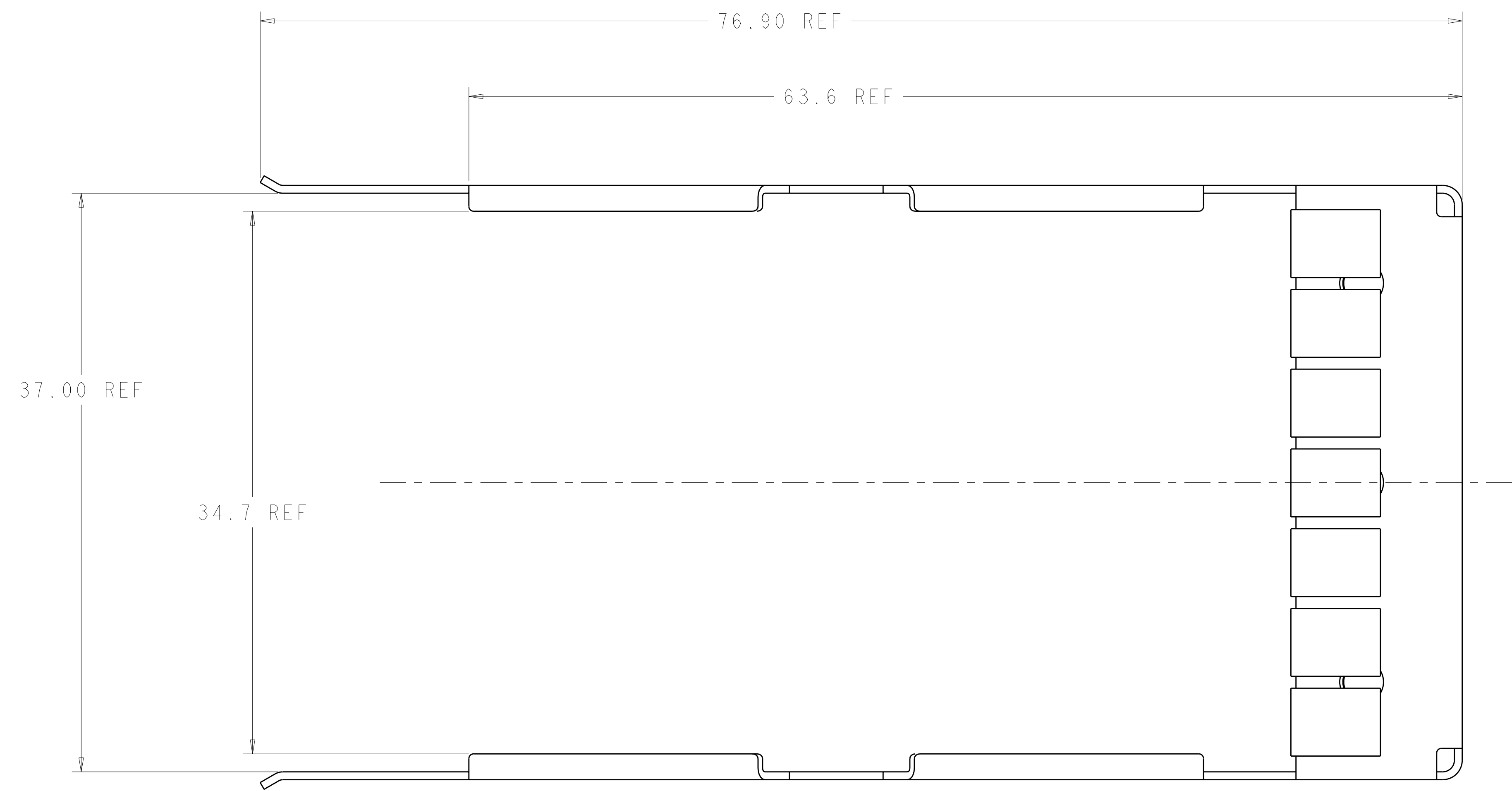


LOC	DIST	REV	DATE	BY	CHK	APPV
AG	00					

REV	DATE	DESCRIPTION	DATE	BY	CHK	APPV
5	11JUL2006	Ø 1.55 ± 0.02 WAS Ø 1.45 ± 0.02				
A	11APR07	RELEASED PER ECO-07-007698				

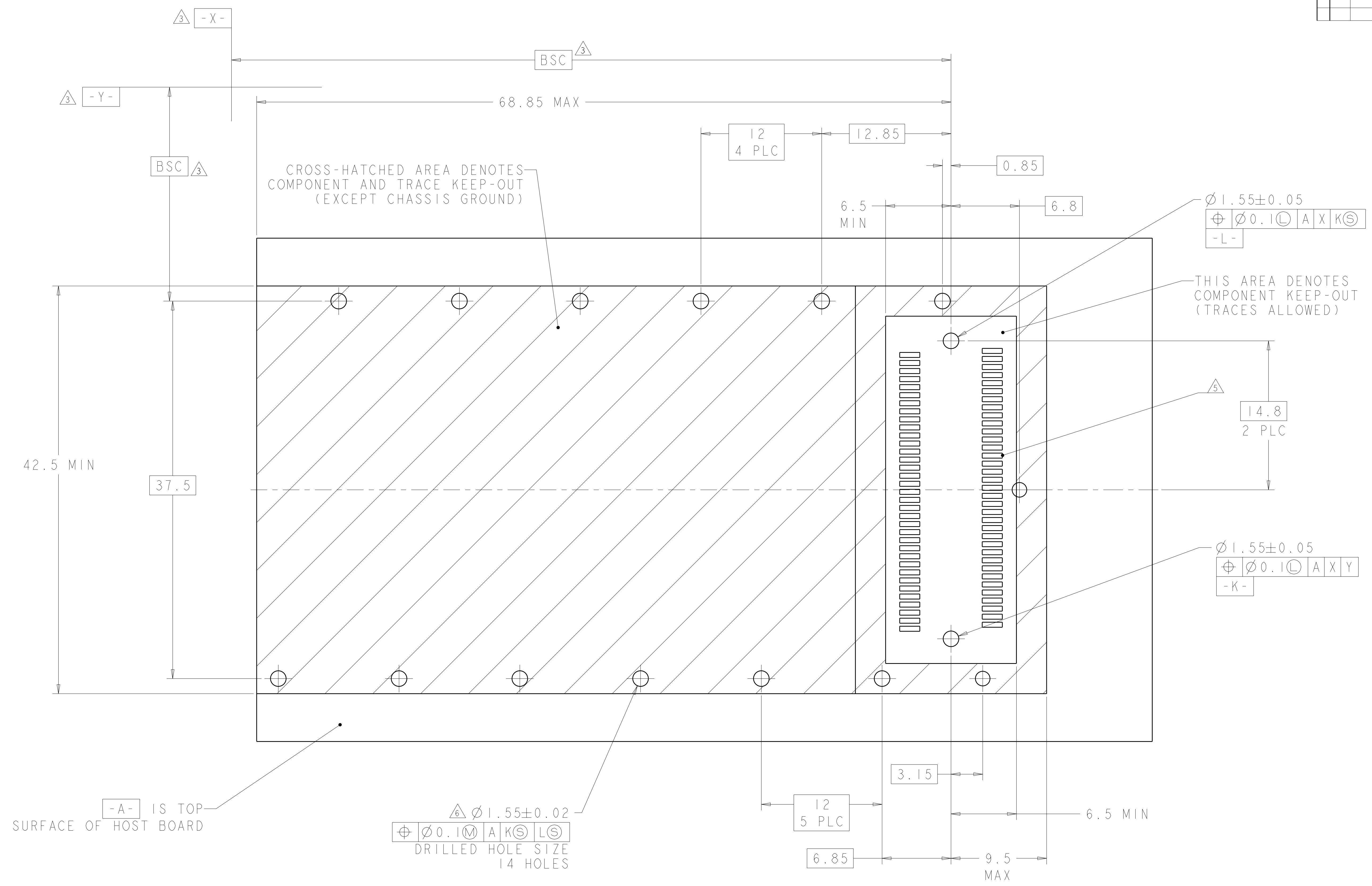
- 1. GUIDE RAIL MATERIAL: COPPER ALLOY
 GUIDE RAIL FINISH: 0.4 MICROMETERS MIN THK TIN COATING
- 2. EMI GASKET MATERIAL: COPPER ALLOY
 EMI GASKET PLATING: 2 MICROMETERS MIN THK TIN PLATE
- 3. DATUMS X AND Y AND BSC DIMENSIONS TO BE ESTABLISHED BY CUSTOMER
- 4. DESIGN ACCEPTS MODULES THAT ARE COMPLIANT WITH X2 SPECIFICATION REV 2.0b
- 5. SEE CUSTOMER DRAWING 1367337-1 FOR CONNECTOR PAD DIMENSIONS
- 6. RECOMMENDATION FOR P.C. BOARD HOLES:
 COPPER UNDERPLATE, 25-50 MICROMETERS THICK, FOLLOWED BY ANY OF THESE SURFACE FINISHES:
 - A. HASL SnPb: 35 MICROMETERS MAX THK
 - B. GALVANIC Au: 4-5 MICROMETERS Ni + 0.1-0.5 MICROMETERS Au
 - C. OSP: 0.2-0.5 MICROMETERS THK
 - D. IMMERSION Sn: 0.5 MICROMETERS MIN THK
 - E. IMMERSION Au: 4-5 MICROMETERS Ni + 0.1-0.5 MICROMETERS Au
 - F. IMMERSION Ag: 0.1-0.3 MICROMETERS
- 7. BARE EDGES PERMITTED
- 8. BEZEL REQUIREMENTS PER X2 MSA
- 9. REFERENCE INSTRUCTION SHEET 408-8997 FOR ADDITIONAL INFORMATION.



1367610-1
 PART NUMBER

DIMENSIONS: mm TOLERANCES UNLESS OTHERWISE SPECIFIED: 0 PLC ±0.5 1 PLC ±0.2 2 PLC ±0.1 3 PLC ± 4 PLC ± ANGLES ± FINISH ±		DWN P. KERLIN 20APR2004 CHK E. BRIGHT 20APR2004 APVD E. BRIGHT 20APR2004 PRODUCT SPEC APPLICATION SPEC WEIGHT CUSTOMER DRAWING	Tyco Electronics Harrisburg, PA 17105-3608 NAME: RAIL ASSY, GUIDE, X2, BEZEL MOUNT SIZE: A CAGE CODE: 00779 DRAWING NO: 1367610 SCALE: 5:1 SHEET: 1 OF 2 REV: A
--	--	--	---

LOC	DIST	REV	DATE	BY	APPD
AG	00				
REVISIONS					



RECOMMENDED P.C. BOARD LAYOUT

<small>THIS DRAWING IS UNPUBLISHED. RELEASED FOR PUBLICATION. ALL RIGHTS RESERVED.</small>		DWN P. KERLIN 20APR2004 CHK E. BRIGHT 20APR2004 APVD E. BRIGHT 20APR2004	tyco Electronics Tyco Electronics Harrisburg, PA 17105-3608
DIMENSIONS: mm 	TOLERANCES UNLESS OTHERWISE SPECIFIED: 9 PLC ± 1 PLC ± 3 PLC ± 5 PLC ± 4 PLC ± ANGLES ± FINISH ±	NAME PRODUCT SPEC APPLICATION SPEC WEIGHT CUSTOMER DRAWING	RAIL ASSY, GUIDE, X2, BEZEL MOUNT SIZE CAGE CODE DRAWING NO RESTRICTED TO A 00779 C-1367610 SCALE 5:1 SHEET 2 OF 2 REV A

X-ON Electronics

Largest Supplier of Electrical and Electronic Components

Click to view similar products for [I/O Connectors](#) category:

Click to view products by [TE Connectivity](#) manufacturer:

Other Similar products are found below :

[571763P](#) [58098-0628](#) [72.250.1628.2](#) [72.250.2428.2](#) [74720-0505](#) [76.350.0729.0](#) [76871-1403](#) [FCN-244F080-G/1](#) [FCN-260A9920](#) [PCR-E36PM](#) [PCS-XE26MA+](#) [G38A71314B](#) [1571250010](#) [157-22500-3](#) [MS3471L14-19P L/C](#) [172501-4002](#) [172501-6002](#) [FCN-260C008-A/L0](#) [FCN-260C024-AL0](#) [FCN-261Z008](#) [2000314-1](#) [200331-1](#) [PCR-E36FC+](#) [PCS-E28FS+](#) [PCS-XE26SLFD+](#) [PCS-XE26SLFDT+](#) [G730VID08BDC24](#) [U90B2054081210](#) [38113800006](#) [DP3AR020WQ1R200](#) [Z4.102.0680.0](#) [500-1040](#) [500-1052](#) [500-1054](#) [ZP-4008-66L](#) [0709821002](#) [DX40-20P\(55\)](#) [5554841-1](#) [MS3474W18-8P-LC*](#) [U90B3054061110](#) [U65-E04-4020](#) [ZPF000000000097891](#) [747360449](#) [10099439-003C-TRLF](#) [10137239-0021LF](#) [E9320-001-01](#) [10137239-0011LF](#) [70289-001LF](#) [70.060.1028.0](#) [109029-ZZ](#)