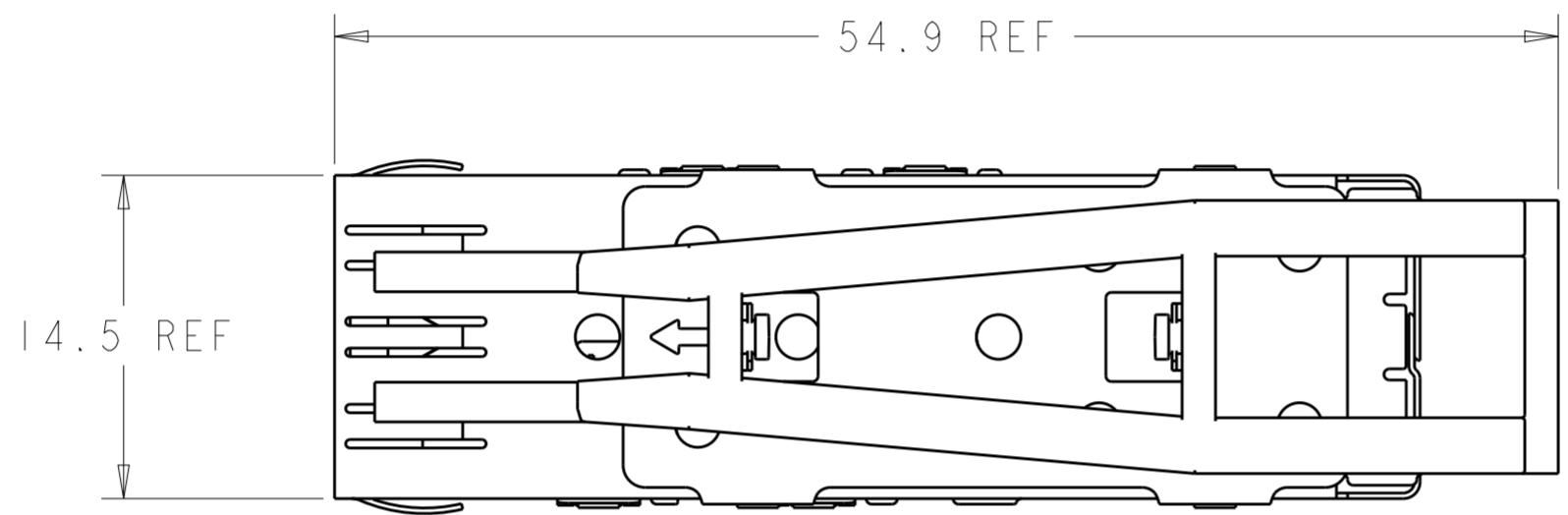
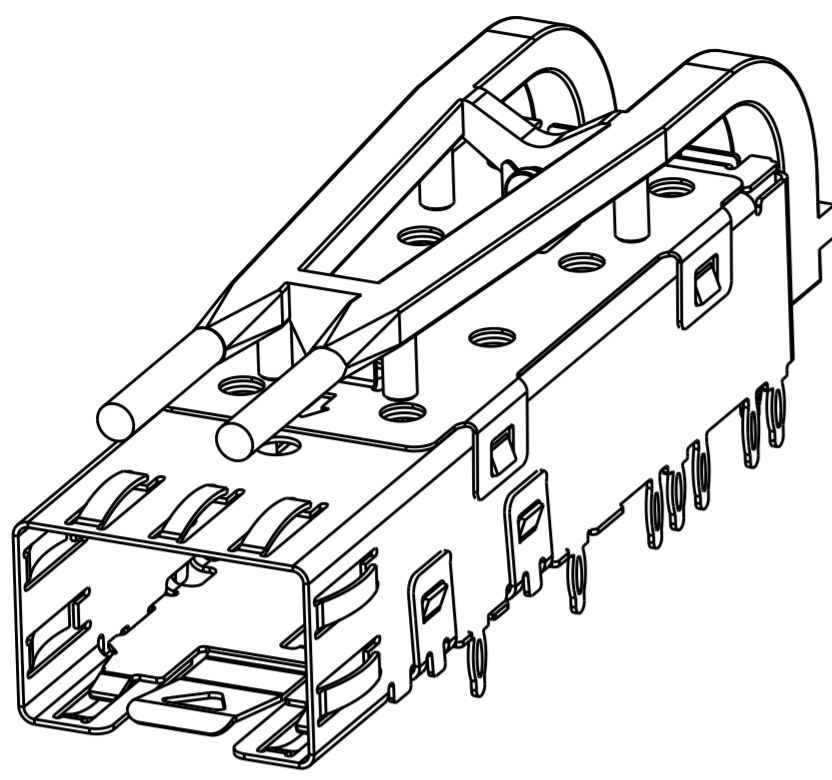


THIS DRAWING IS UNPUBLISHED. RELEASED FOR PUBLICATION 20
 © COPYRIGHT 20 ALL RIGHTS RESERVED.

LOC	DIST	REVISIONS					
GP	00	P	LTR	DESCRIPTION	DATE	DWN	APVD
		B1		REVISED PER ECO-11-005033	10MAY2011	RK	HMR
		B4		REVISED PER ECO-14-009692	6JAN2015	CW	SH



1 MATERIAL:
 CAGE: COPPER ALLOY(TOP CAGE&BOTTOM CAGE 2 PIECE STRUCTURE).
 LIGHTPIPE: POLYCARBONATE, CLEAR
 LIGHTPIPE BRACKET: STAINLESS STEEL.

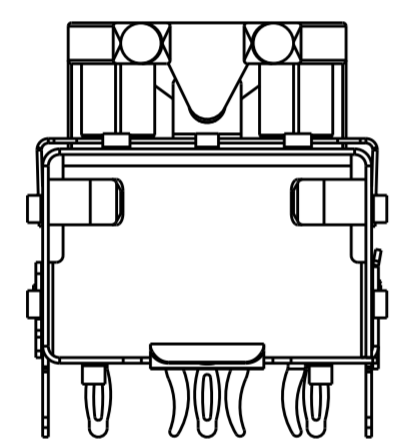
2 FINISH:
 CAGE: TIN 1.25 um MIN THICKNESS OVER,
 0.125 um MIN THICKNESS NICKEL.
 NONPLATED EDGES PERMISSABLE.
 3. MATES WITH SFP MSA COMPLIANT TRANSCEIVERS.

4 PADS AND VIAS CHASSIS GROUND.
 5 DATUM AND BASIC DIMENSIONS ESTABLISHED BY CUSTOMER.
 6. MINIMUM PC BOARD THICKNESS:
 SINGLE SIDED: 1.50 mm
 (SHOWN ON SHEET 4).

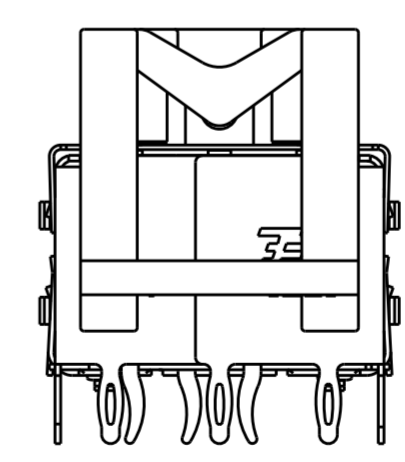
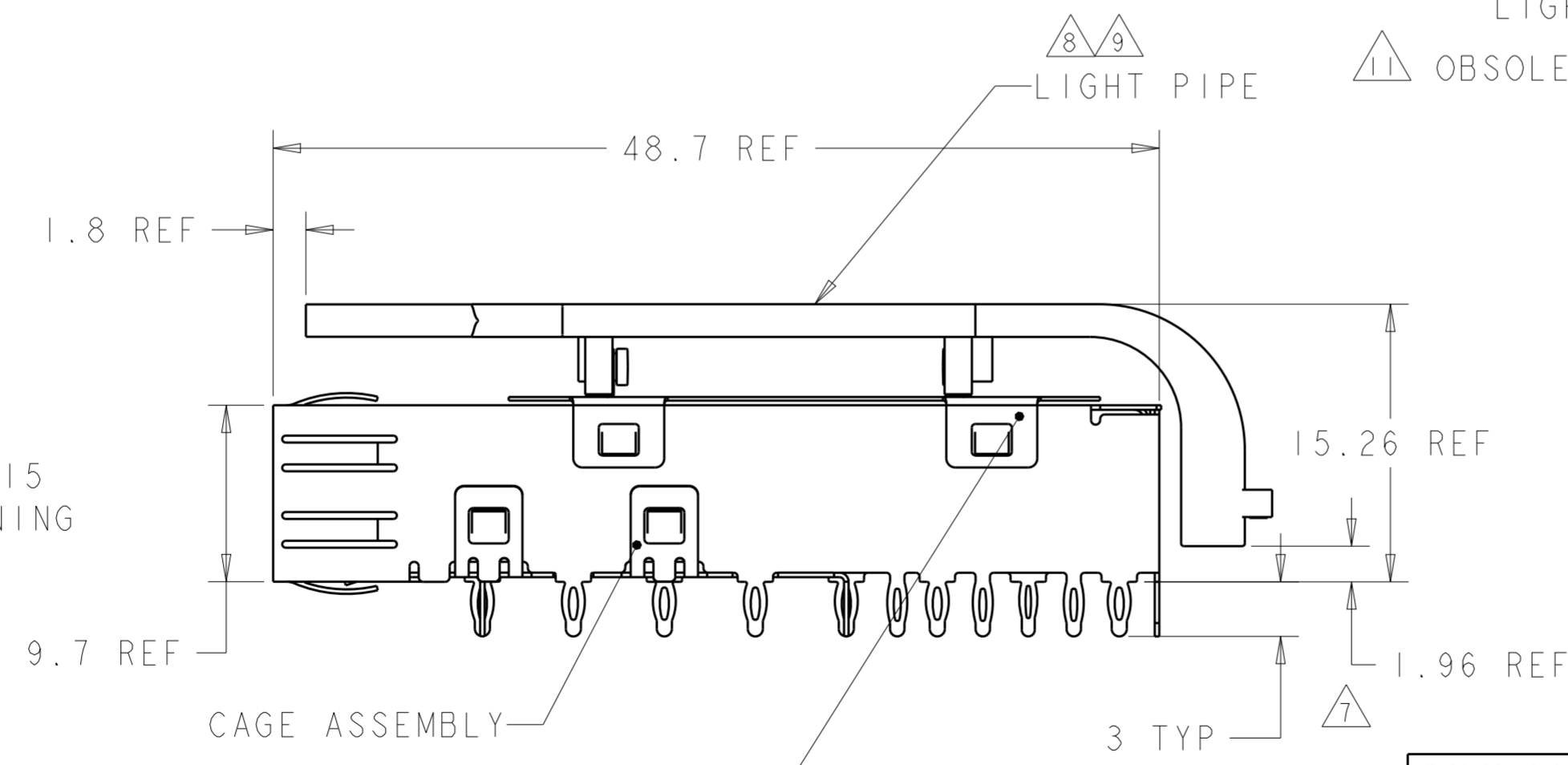
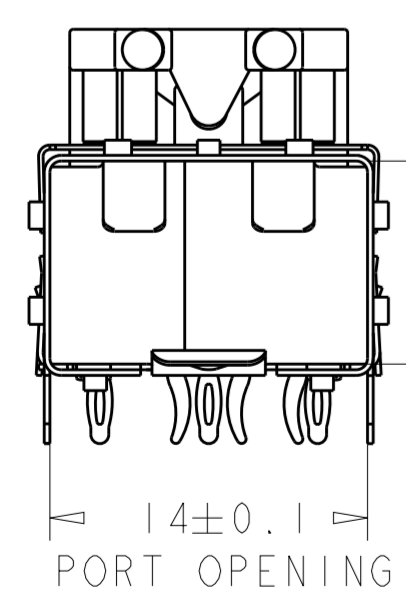
7 MAX HEIGHT OF LED OFF BOARD IS NOT TO EXCEED 1.14mm.
 8 LIGHT PIPE AND LIGHT PIPE BRACKET SHIPPED ASSEMBLED.
 9 LIGHT PIPE ASSEMBLY SHIPPED UNASSEMBLED TO CAGE ASSEMBLY.
 CAGE ASSEMBLY TO BE PRESSED INTO THE PCB PRIOR
 TO ATTACHING THE LIGHT PIPE ASSEMBLY TO THE CAGE.

10 MATERIAL:
 CAGE: STAINLESS STEEL(ONE PIECE DESIGN), 0.00125mm
 NICKLE OVER ALL, NON-PLATED EDGES PERMISSIBLE.
 LIGHTPIPE: POLYCARBONATE, CLEAR
 LIGHTPIPE BRACKET: STAINLESS STEEL.

11 OBSOLETE



SCALE 3:1
 1367629-2

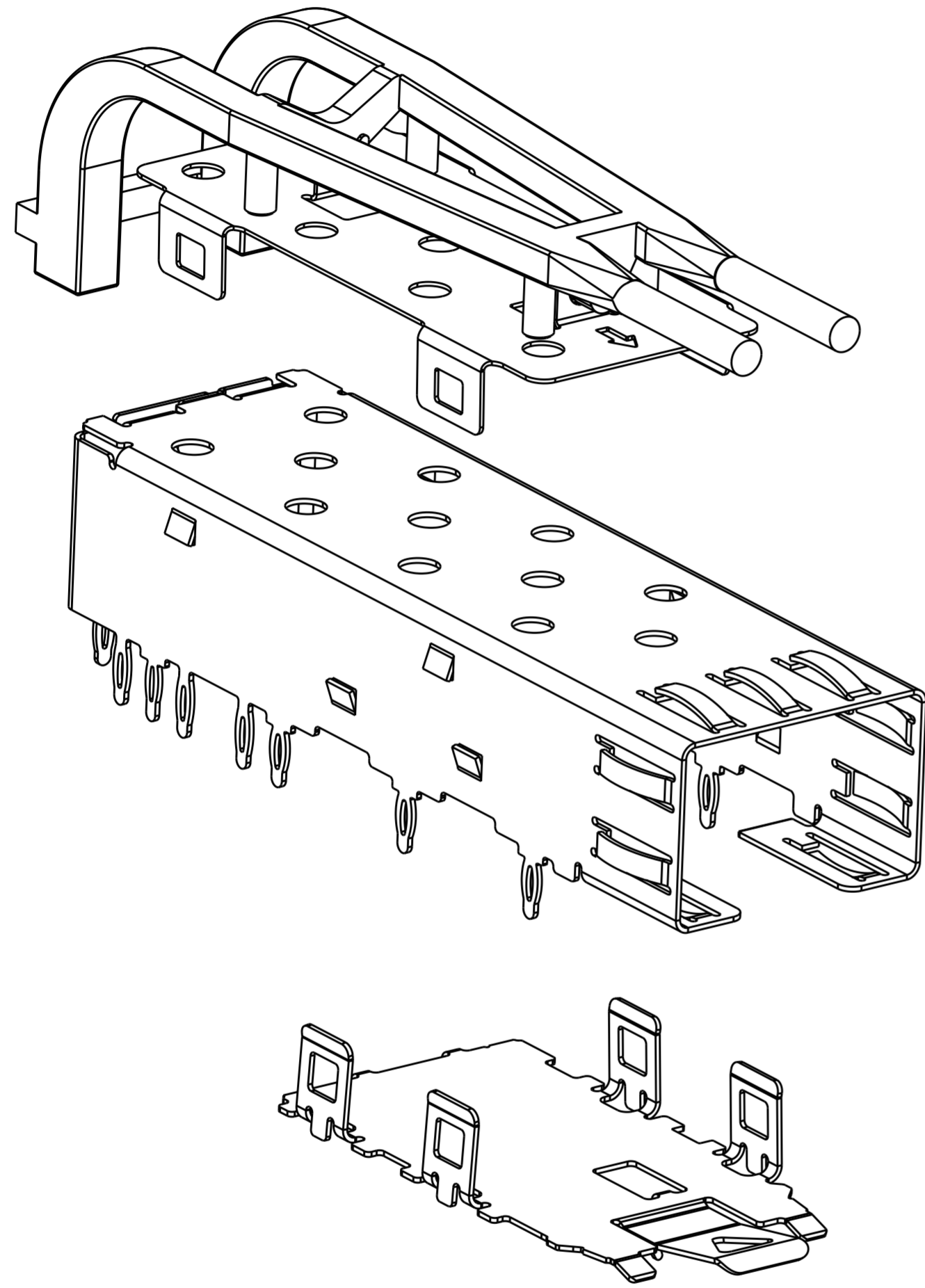


10	1367629-2
11	1367629-1
AS SHOWN	PART NUMBER
MATERIAL&CAGE STRUCTURE	

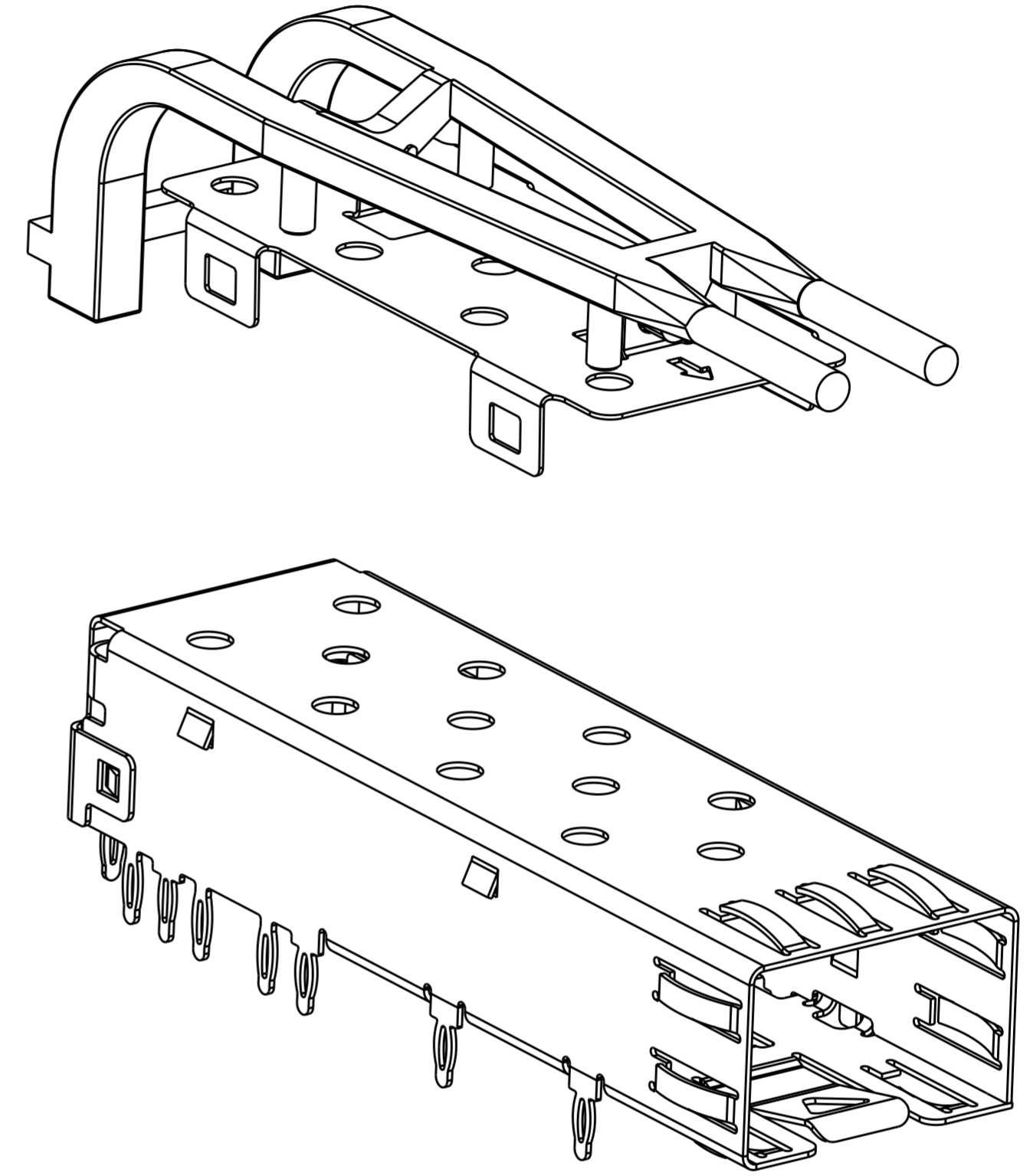
THIS DRAWING IS A CONTROLLED DOCUMENT.		DWN C. VALENTINE 15 JAN 2007	TE Connectivity	
DIMENSIONS: mm		CHK E. BRIGHT 15 JAN 2007	NAME CAGE ASSEMBLY, 20 PRESS FIT, SFP	
TOLERANCES UNLESS OTHERWISE SPECIFIED: 0 PLC ±0.1 1 PLC ±0.1 2 PLC ±0.1 3 PLC ±0.05 4 PLC ±0.05 ANGLES ± FINISH		APVD E. BRIGHT 15 JAN 2007	PRODUCT SPEC 108-1950	
MATERIAL		APPLICATION SPEC 114-13120	SIZE A2	CAGE CODE 00779
1		WEIGHT -	DRAWING NO C-1367629	RESTRICTED TO -
2		Customer Drawing	SCALE 3:1	SHEET 1 OF 4 REV B4

THIS DRAWING IS UNPUBLISHED. RELEASED FOR PUBLICATION 20
 © COPYRIGHT 20 ALL RIGHTS RESERVED.


LOC	DIST	REVISIONS					
GP	00	P	LTR	DESCRIPTION	DATE	DWN	APVD
		-		SEE SHEET 1			



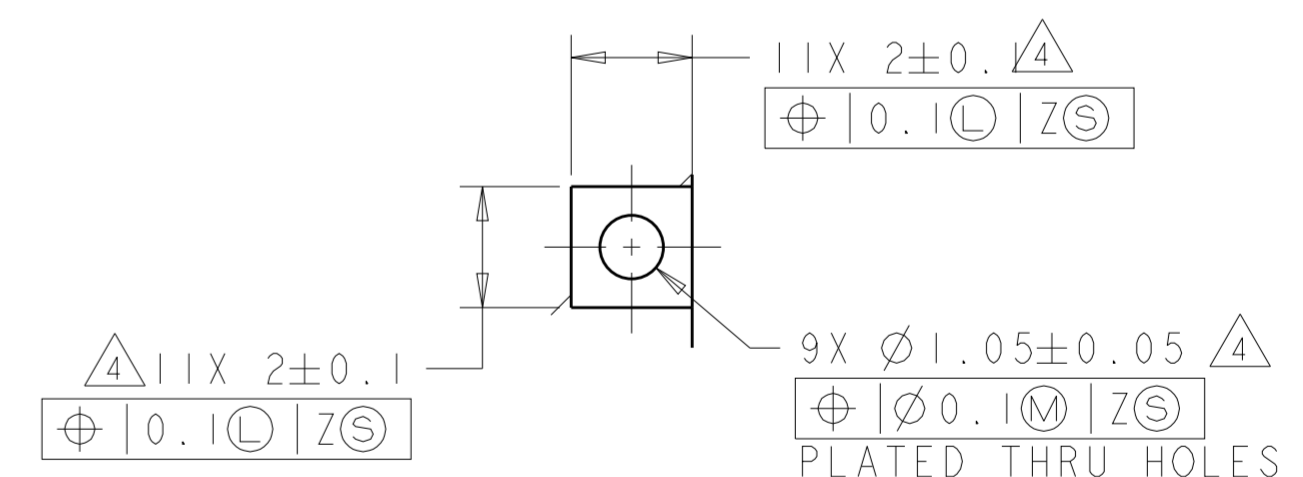
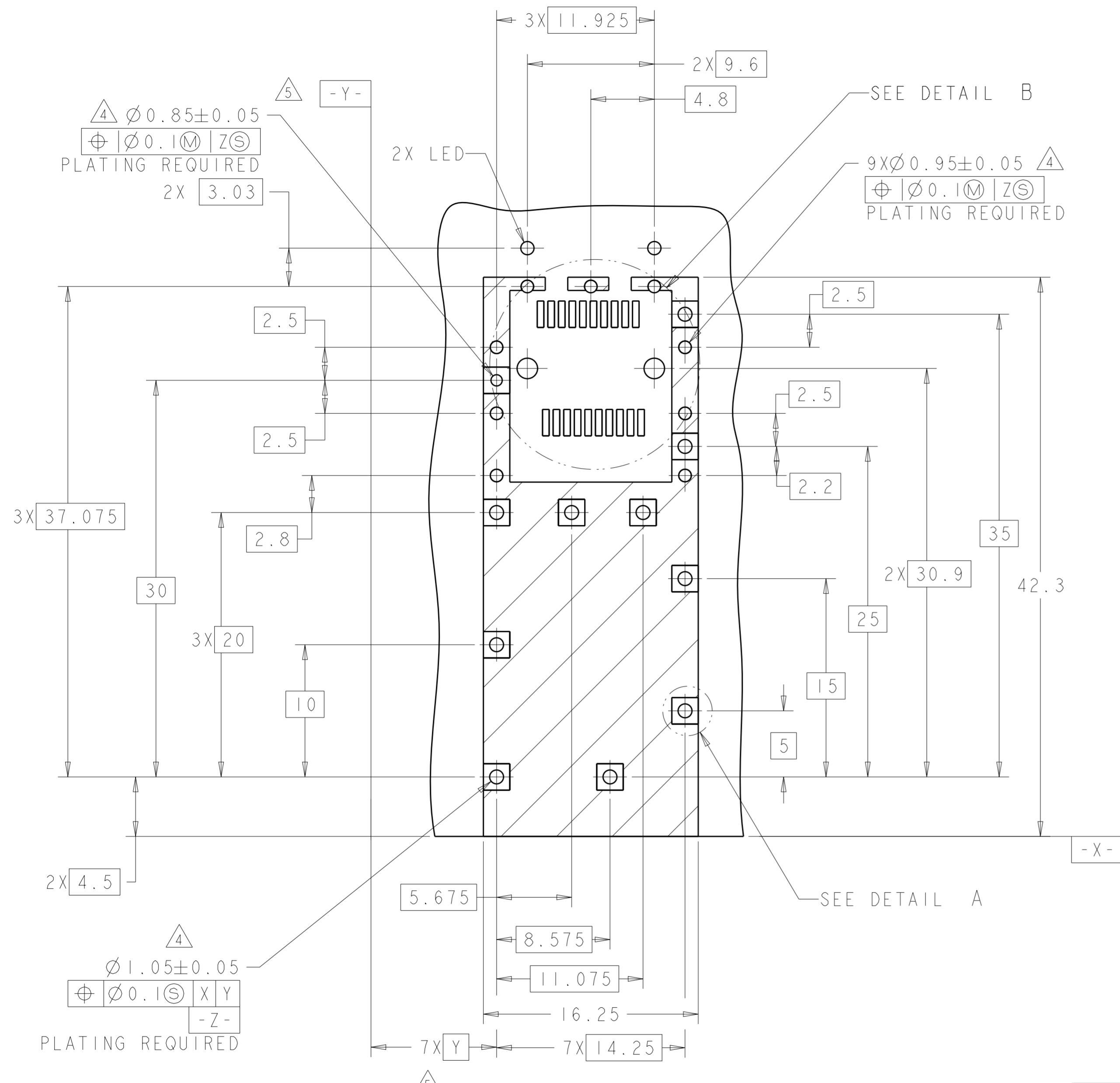
SCALE 4:1
1367629-1



SCALE 4:1
1367629-2

THIS DRAWING IS A CONTROLLED DOCUMENT.		DWN C. VALENTINE 15 JAN 2007	 TE Connectivity	
DIMENSIONS: mm		CHK E. BRIGHT 15 JAN 2007		
TOLERANCES UNLESS OTHERWISE SPECIFIED:		APVD E. BRIGHT 15 JAN 2007	NAME CAGE ASSEMBLY, 20 PRESS FIT, SFP	
0 PLC ±0.1 1 PLC ±0.1 2 PLC ±0.1 3 PLC ±0.05 4 PLC ±0.05 ANGLES ± FINISH		PRODUCT SPEC 108-1950	RESTRICTED TO	
MATERIAL		APPLICATION SPEC 114-13120	SIZE A200779	DRAWING NO. C-1367629
		WEIGHT -	SCALE 3:1 SHEET 2 OF 4 REV B4	
		Customer Drawing		

LOC	DIST	REVISIONS					
GP	00	P	LTR	DESCRIPTION	DATE	DWN	APVD
		-		SEE SHEET 1			

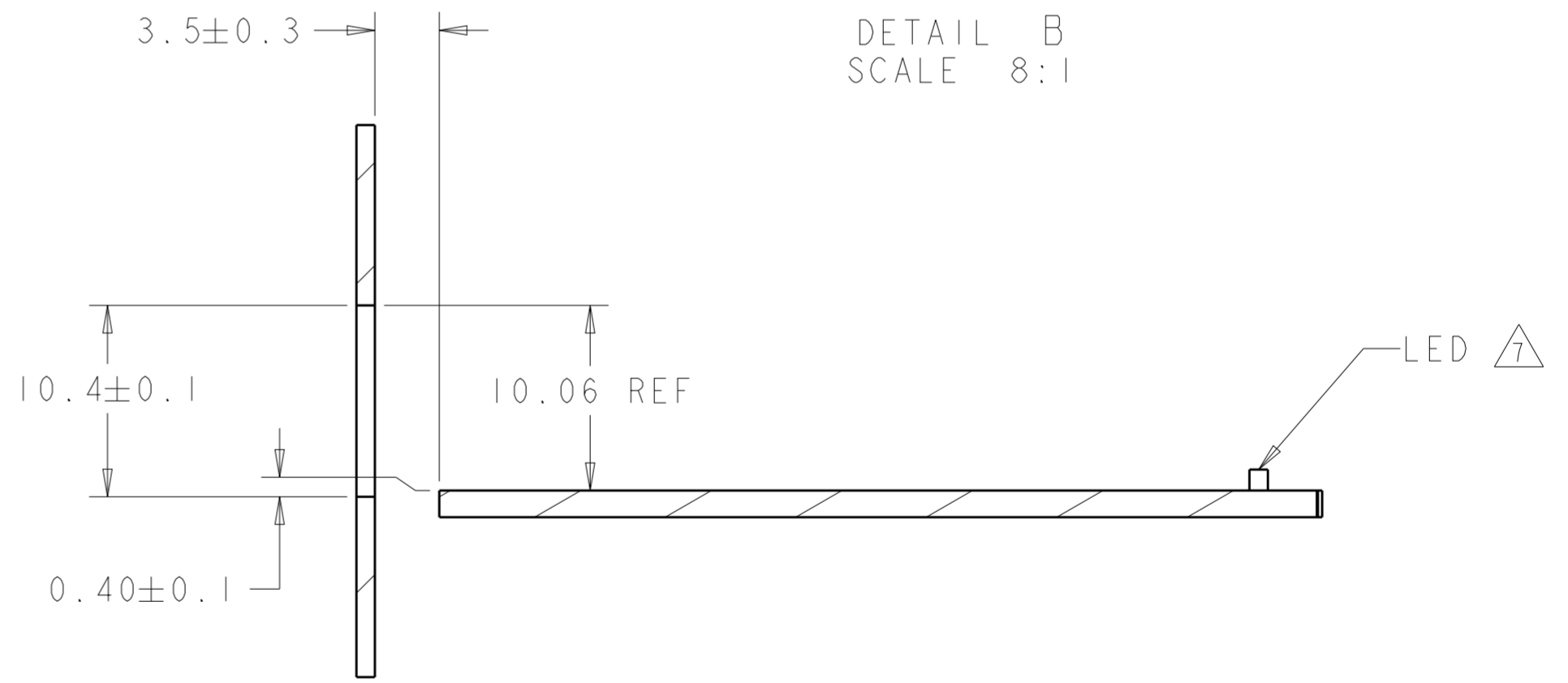
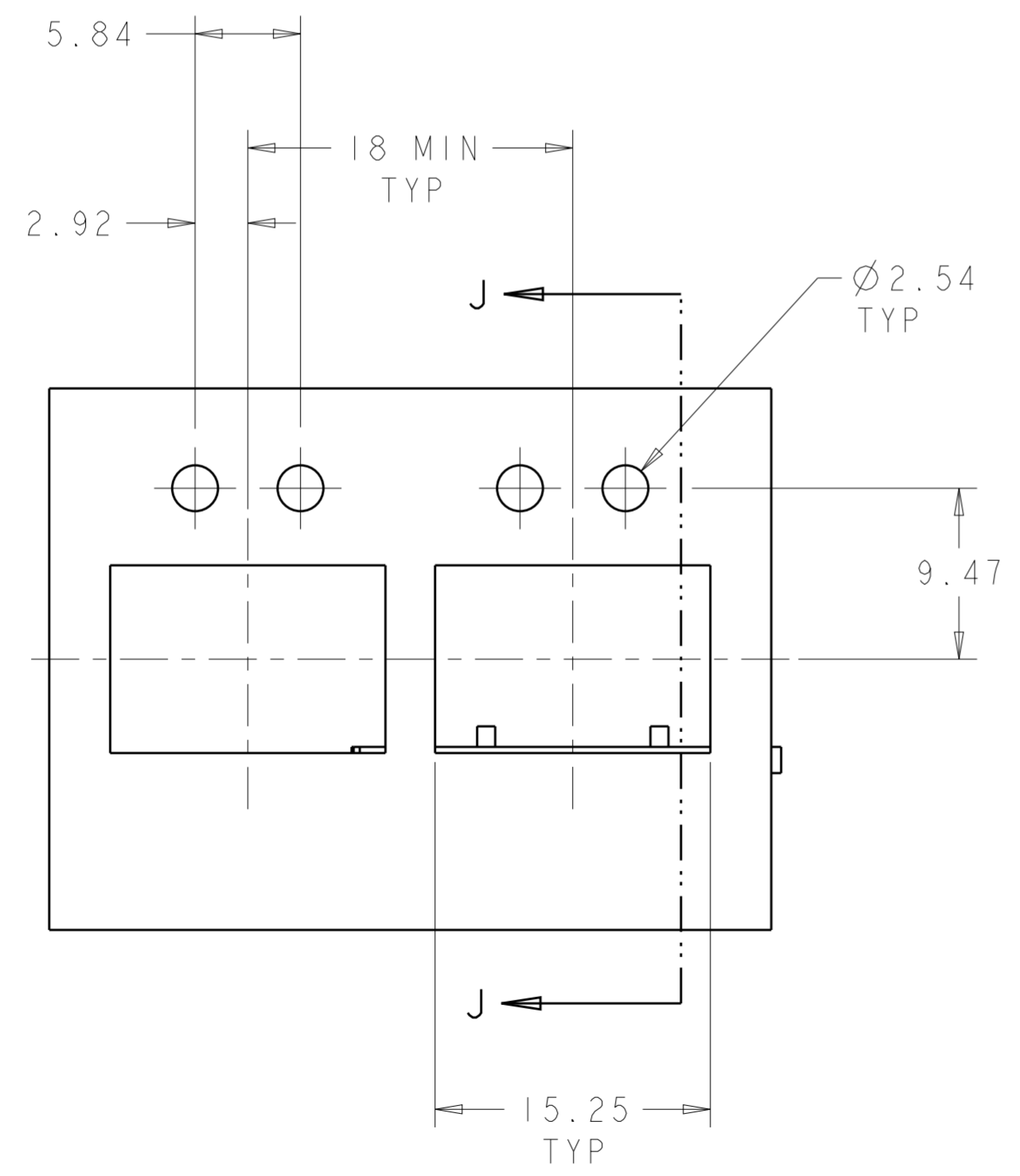
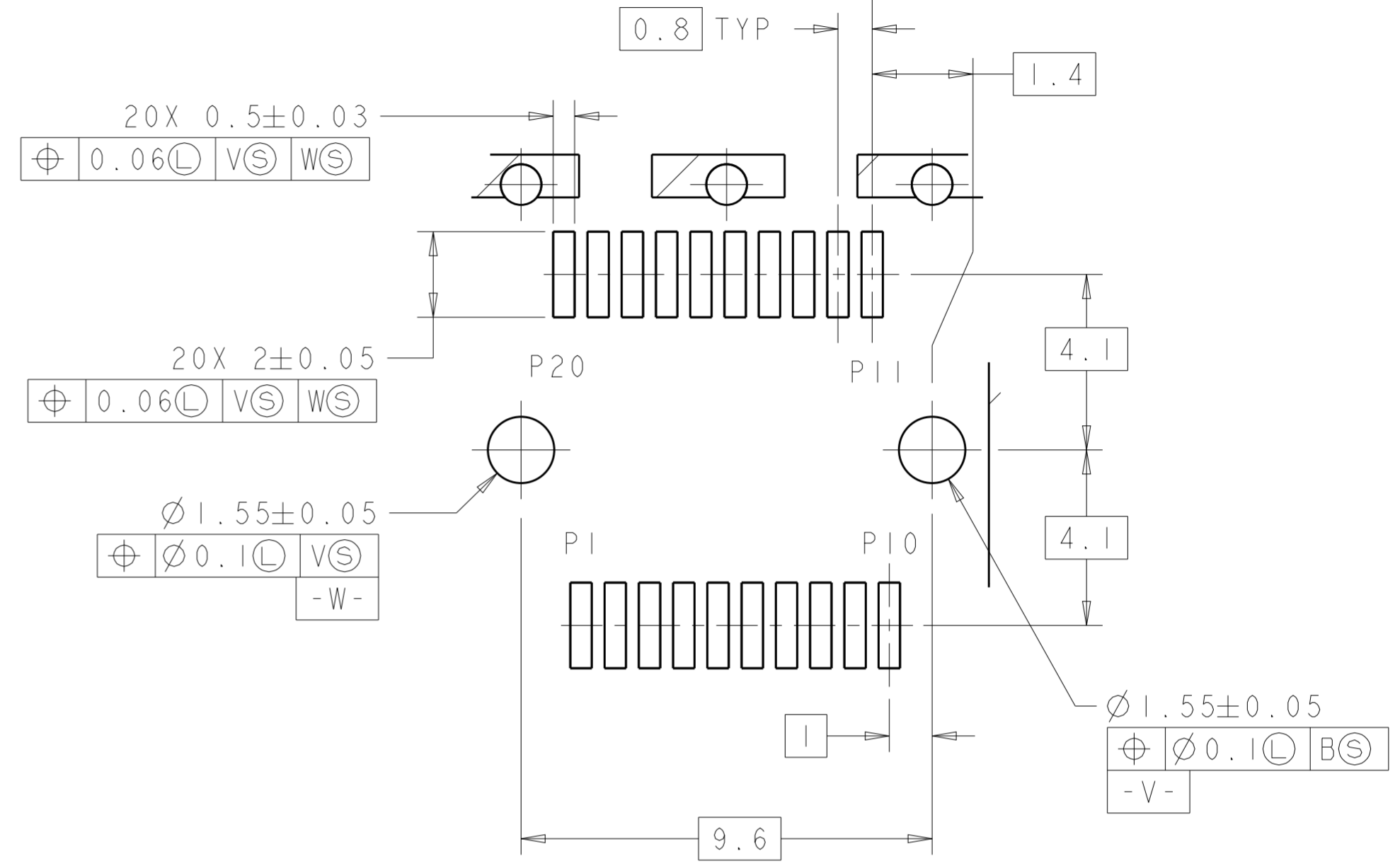
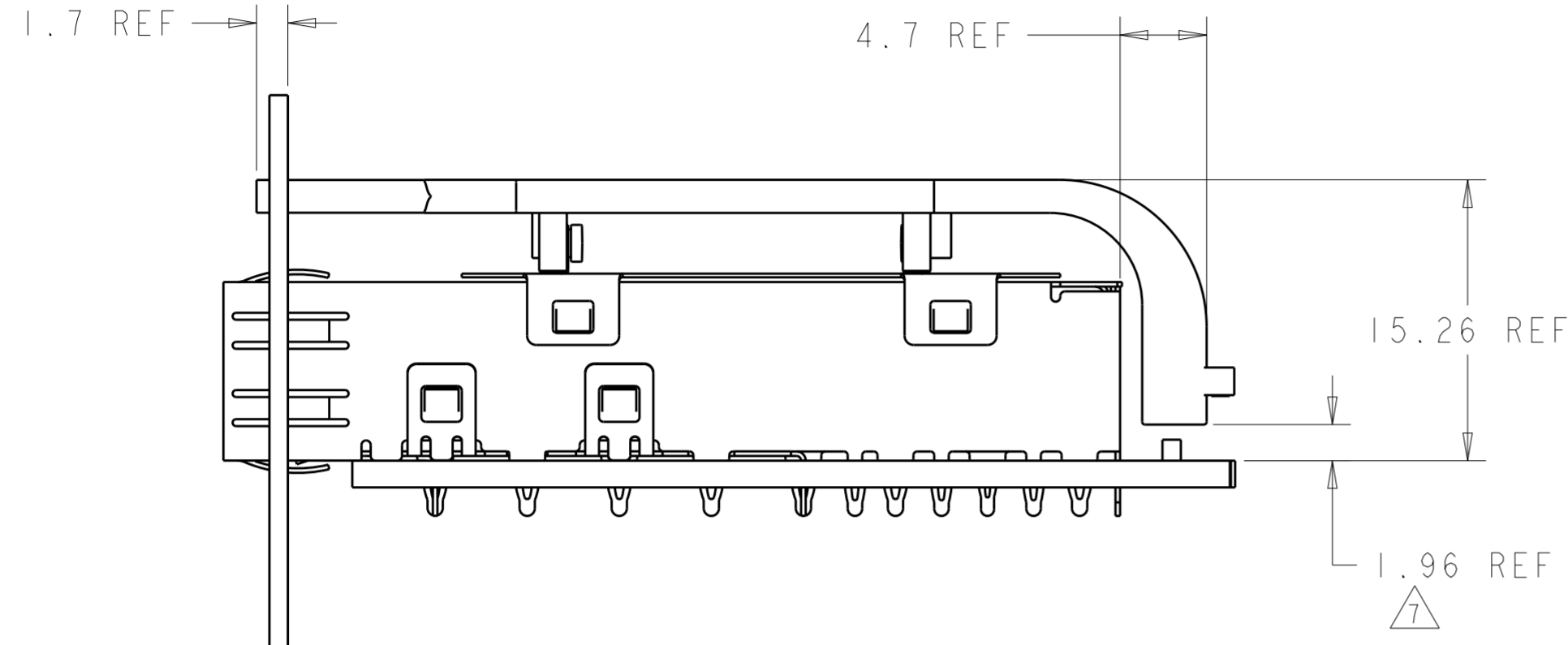


RECOMMENDED PC BOARD LAYOUT
 SCALE 4:1

THIS DRAWING IS A CONTROLLED DOCUMENT.		DWN C. VALENTINE	15 JAN 2007	TE Connectivity			
DIMENSIONS: mm		CHK E. BRIGHT	15 JAN 2007			NAME CAGE ASSEMBLY, 20 PRESS FIT, SFP	
TOLERANCES UNLESS OTHERWISE SPECIFIED: 0 PLC ±0.1 1 PLC ±0.1 2 PLC ±0.1 3 PLC ±0.05 4 PLC ±0.05 ANGLES ± FINISH		APVD E. BRIGHT	15 JAN 2007			PRODUCT SPEC 108-1950	
		APPLICATION SPEC 114-13120				RESTRICTED TO	
MATERIAL		WEIGHT		SIZE A200779			
		Customer Drawing		DRAWING NO. C-1367629			
				SCALE 3:1			
				SHEET 3 OF 4			
				REV B4			

THIS DRAWING IS UNPUBLISHED. RELEASED FOR PUBLICATION 20
 © COPYRIGHT 20 ALL RIGHTS RESERVED.

LOC	DIST	REVISIONS			
P	LTR	DESCRIPTION	DATE	DWN	APVD
GP	00	SEE SHEET 1	-	-	-



DETAIL B
SCALE 8:1

SECTION J-J

THIS DRAWING IS A CONTROLLED DOCUMENT.		DWN C. VALENTINE 15 JAN 2007	TE Connectivity	
DIMENSIONS: mm		CHK E. BRIGHT 15 JAN 2007		
TOLERANCES UNLESS OTHERWISE SPECIFIED:		APVD E. BRIGHT 15 JAN 2007	NAME CAGE ASSEMBLY, 20 PRESS FIT, SFP	
0 PLC ±0.1		PRODUCT SPEC 108-1950	SIZE CAGE CODE DRAWING NO RESTRICTED TO	
1 PLC ±0.1		APPLICATION SPEC 114-13120	A200779 C-1367629 -	
2 PLC ±0.1		WEIGHT -	SCALE 3:1 SHEET 4 OF 4 REV B4	
3 PLC ±0.05		MATERIAL -	Customer Drawing	
4 PLC ±0.05				
ANGLES ±				
FINISH				

X-ON Electronics

Largest Supplier of Electrical and Electronic Components

Click to view similar products for [I/O Connectors](#) category:

Click to view products by [TE Connectivity](#) manufacturer:

Other Similar products are found below :

[571763P](#) [58098-0628](#) [72.250.1628.2](#) [72.250.2428.2](#) [74720-0505](#) [76.350.0729.0](#) [76871-1403](#) [FCN-244F080-G/1](#) [FCN-260A9920](#) [PCR-E36PM](#) [PCS-XE26MA+](#) [G38A71314B](#) [1571250010](#) [157-22500-3](#) [MS3471L14-19P L/C](#) [172501-4002](#) [172501-6002](#) [FCN-260C008-A/L0](#) [FCN-260C024-AL0](#) [FCN-261Z008](#) [2000314-1](#) [200331-1](#) [PCR-E36FC+](#) [PCS-E28FS+](#) [PCS-XE26SLFD+](#) [PCS-XE26SLFDT+](#) [G730VID08BDC24](#) [U90B2054081210](#) [38113800006](#) [DP3AR020WQ1R200](#) [Z4.102.0680.0](#) [500-1040](#) [500-1052](#) [500-1054](#) [ZP-4008-66L](#) [0709821002](#) [DX40-20P\(55\)](#) [5554841-1](#) [MS3474W18-8P-LC*](#) [U90B3054061110](#) [U65-E04-4020](#) [ZPF000000000097891](#) [747360449](#) [10099439-003C-TRLF](#) [10137239-0021LF](#) [E9320-001-01](#) [10137239-0011LF](#) [70289-001LF](#) [70.060.1028.0](#) [109029-ZZ](#)