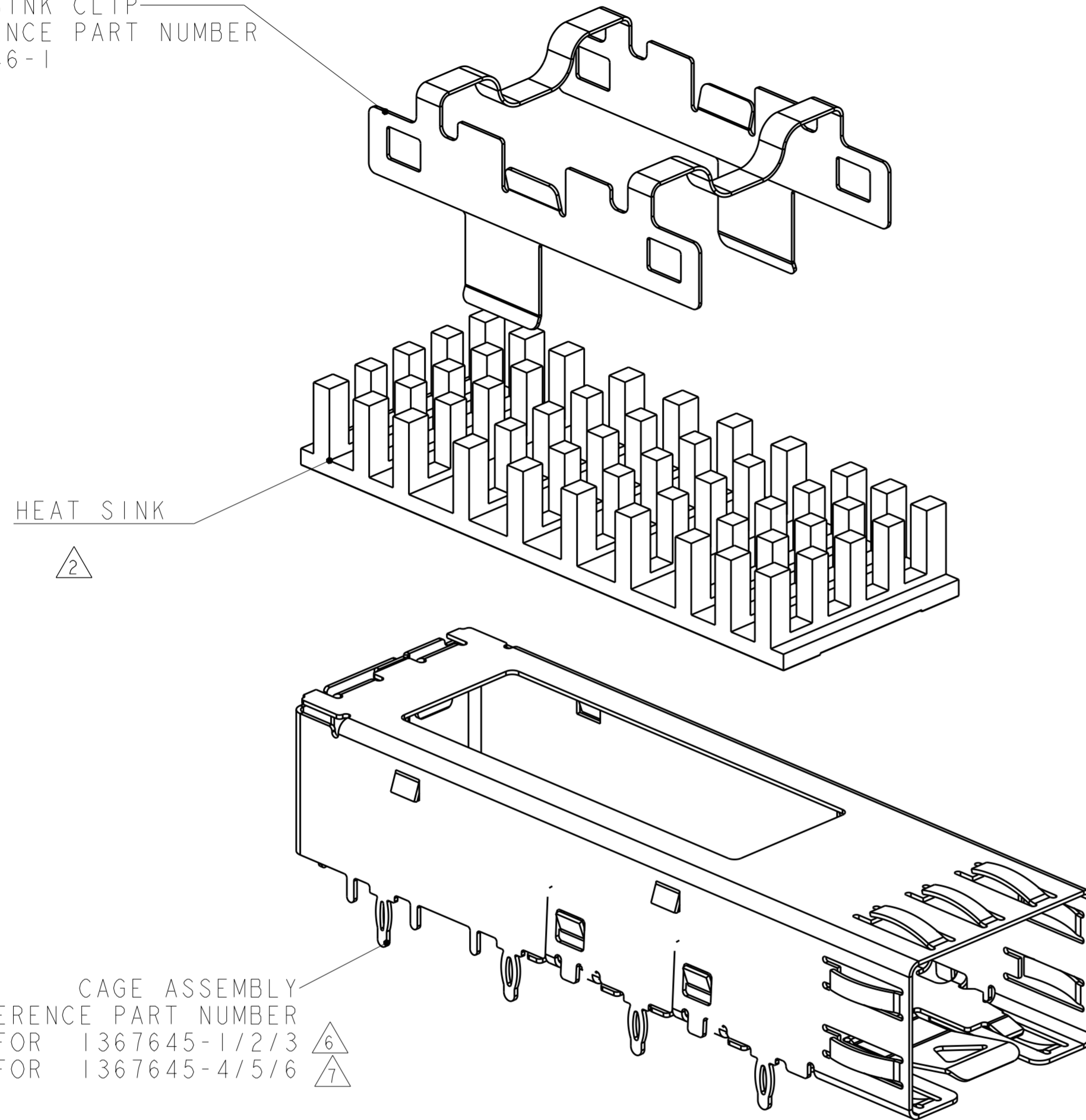


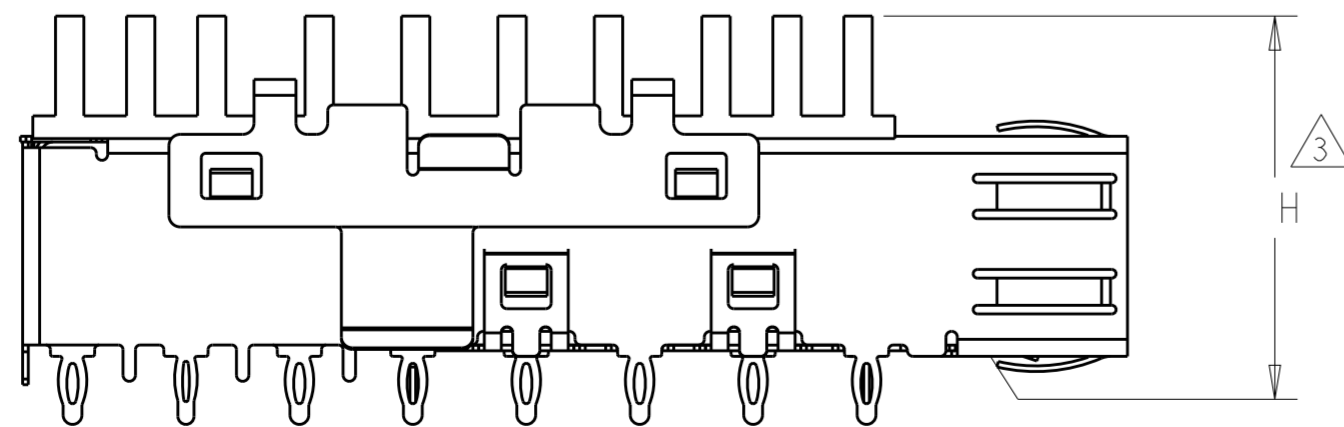
THIS DRAWING IS UNPUBLISHED. RELEASED FOR PUBLICATION 20
 © COPYRIGHT 20 BY - ALL RIGHTS RESERVED.

REVISIONS				
P	LTR	DESCRIPTION	DATE	APVD
	C2	REVISED PER ECO-14-009692	7JAN2015	CW SH

HEAT SINK CLIP
 REFERENCE PART NUMBER
 1367646-1



CAGE ASSEMBLY
 REFERENCE PART NUMBER
 1367643-1 FOR 1367645-1/2/3
 2227316-1 FOR 1367645-4/5/6



VIEW SHOWN ASSEMBLED
 SCALE 3:1

1. CAGE ASSEMBLY, HEAT SINK CLIP AND HEAT SINK SHIPPED ASSEMBLED.
2. HEAT SINK REFERENCE PART NUMBERS:
 1829903-2 = 4.2 HIGH - PCI
 1829904-2 = 6.5 HIGH - SAN
 1829905-2 = 13.5 HIGH - NETWORKING
3. DIMENSION APPLIES PRIOR TO INSERTION OF SFP MODULE.
4. MATES WITH SFP MSA COMPLIANT TRANSCEIVERS.
5. SEE COMPONENT DRAWINGS FOR COMPONENT DIMENSIONS AND INFORMATION.
6. MATERIAL AND STRUCTURE FOR CAGE ASSEMBLY COPPER ALLOY(TOP CAGE&BOTTOM CAGE 2 PIEPCE STRUCTURE)
7. MATERIAL AND STRUCTURE FOR CAGE ASSEMBLY STAINLESS STEEL(ONE PIECE DESIGN),NICKLE OVER ALL, NON-PLATED EDGES PERMISSIBLE.
8. OBSOLETE

7	22.7 MAX	NETWORKING	1367645-6
7	15.7 MAX	SAN	1367645-5
7	13.4 MAX	PCI	1367645-4
8 6	22.7 MAX	NETWORKING	1367645-3
8 6	15.7 MAX	SAN	1367645-2
8 6	13.4 MAX	PCI	1367645-1
	H	APPLICATION	PART NUMBER

DIMENSIONS:		TOLERANCES UNLESS OTHERWISE SPECIFIED:		DWN 06FEB06		TE Connectivity	
mm		0 PLC	±	CHK D.E.STAHL	06FEB06		
		1 PLC	±	CHK E.J.BRIGHT	06FEB06		
		2 PLC	±	APVD E.J.BRIGHT	06FEB06		
		3 PLC	±	APVD E.J.BRIGHT	06FEB06		
		4 PLC	±	PRODUCT SPEC		NAME	
		ANGLES	±	108-1950		KIT ASSEMBLY, PRESS FIT, DWDM SFP	
		FINISH	±	APPLICATION SPEC		SIZE CAGE CODE DRAWING NO	
MATERIAL	-		-	114-13178		A200779 C-1367645	
	-		-	WEIGHT -		RESTRICTED TO	
	-		-	Customer Drawing		SCALE 4:1 SHEET 1 OF 1 REV C2	

X-ON Electronics

Largest Supplier of Electrical and Electronic Components

Click to view similar products for [I/O Connectors](#) category:

Click to view products by [TE Connectivity](#) manufacturer:

Other Similar products are found below :

[571763P](#) [58098-0628](#) [72.250.1628.2](#) [72.250.2428.2](#) [74720-0505](#) [76.350.0729.0](#) [76871-1403](#) [FCN-244F080-G/1](#) [FCN-260A9920](#) [PCR-E36PM](#) [PCS-XE26MA+](#) [G38A71314B](#) [1571250010](#) [157-22500-3](#) [MS3471L14-19P L/C](#) [172501-4002](#) [172501-6002](#) [FCN-260C008-A/L0](#) [FCN-260C024-AL0](#) [FCN-261Z008](#) [2000314-1](#) [200331-1](#) [PCR-E36FC+](#) [PCS-E28FS+](#) [PCS-XE26SLFD+](#) [PCS-XE26SLFDT+](#) [G730VID08BDC24](#) [U90B2054081210](#) [38113800006](#) [DP3AR020WQ1R200](#) [Z4.102.0680.0](#) [500-1040](#) [500-1052](#) [500-1054](#) [ZP-4008-66L](#) [0709821002](#) [DX40-20P\(55\)](#) [5554841-1](#) [MS3474W18-8P-LC*](#) [U90B3054061110](#) [U65-E04-4020](#) [ZPF000000000097891](#) [747360449](#) [10099439-003C-TRLF](#) [10137239-0021LF](#) [E9320-001-01](#) [10137239-0011LF](#) [70289-001LF](#) [70.060.1028.0](#) [109029-ZZ](#)