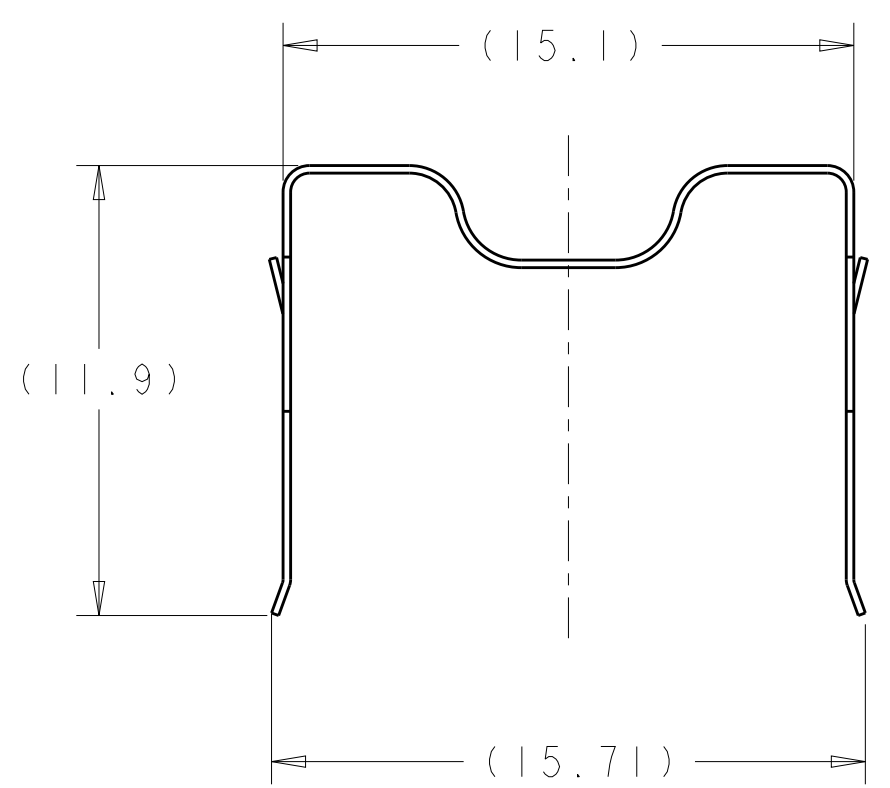
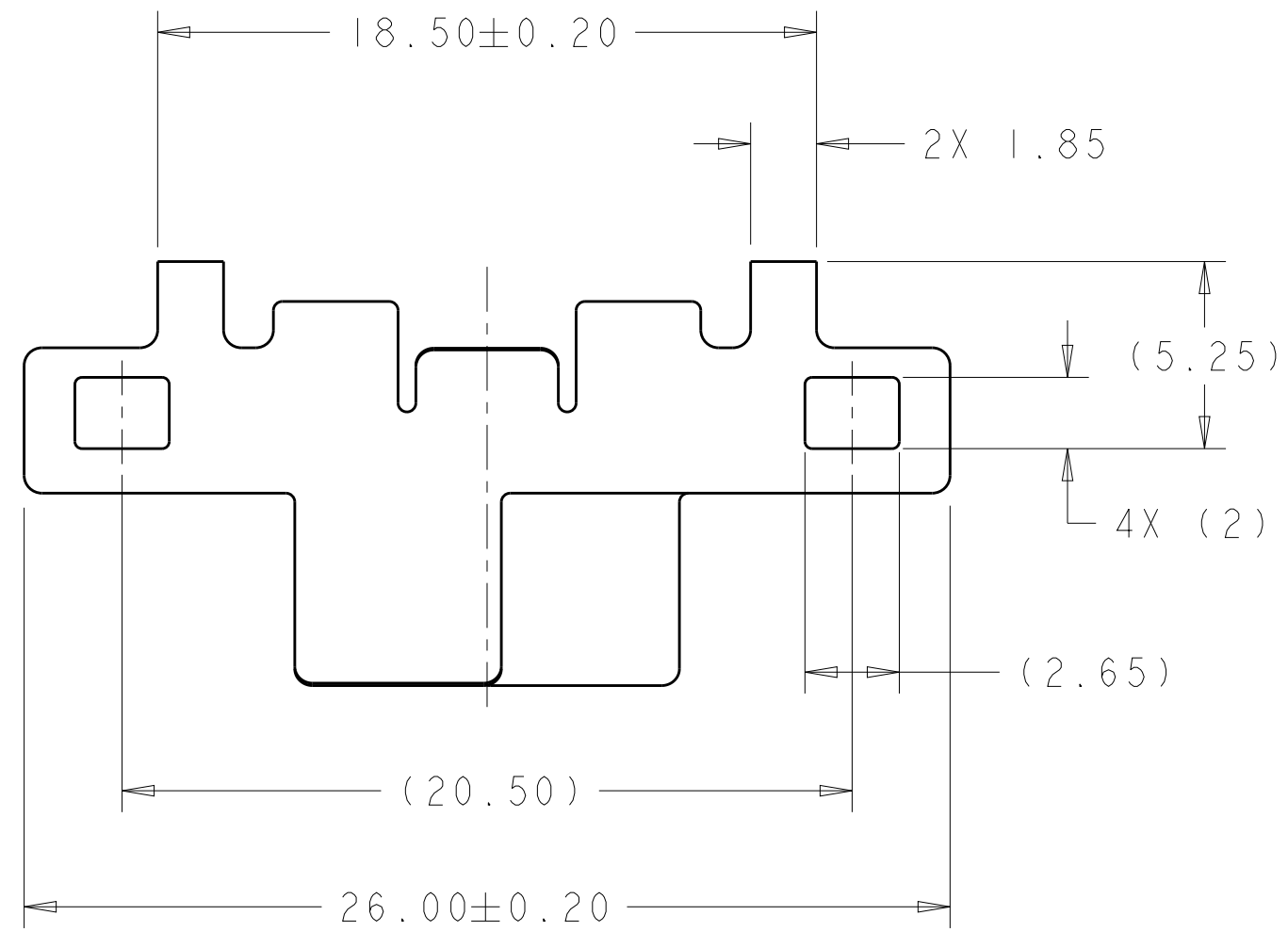



THIS DRAWING IS UNPUBLISHED. RELEASED FOR PUBLICATION 20
 © COPYRIGHT 20 BY - ALL RIGHTS RESERVED.

| LOC | DIST | REVISIONS | | | | | |
|-----|------|-----------|-----|---------------------------|-----------|-----|------|
| GP | 00 | P | LTR | DESCRIPTION | DATE | DWN | APVD |
| | | | C | REVISED PER ECO-12-009760 | 14MAY2012 | JJ | AC |
| | | | C1 | REVISED PER ECO-14-000741 | 16JAN2014 | PP | SH |
| | | | C2 | REVISED PER ECO-15-001048 | 22JAN2015 | PP | SH |
| | | | C3 | REVISED PER ECO-19-009461 | 20JUN2019 | IT | SH |



SUPERSEDED BY:
1367646-4

| | |
|----------------|----------------------|
| TRAY | 1367646-4 |
| BAG | 1367646-1 |
| PACKAGE | PART NUMBER |

| | | | | |
|--|--|--------------------------------|---|-----------------------|
| THIS DRAWING IS A CONTROLLED DOCUMENT. | | DWN P. KERLIN 11MAY2006 |  TE Connectivity | |
| DIMENSIONS: mm | | CHK E. BRIGHT 11MAY2006 | | |
| TOLERANCES UNLESS OTHERWISE SPECIFIED: | | APVD E. BRIGHT 11MAY2006 | NAME HEAT SINK CLIP, DWDM SFP | |
| 0 PLC ±- 1 PLC ±- 2 PLC ±0.10 3 PLC ±- 4 PLC ±- ANGLES ±- | | PRODUCT SPEC - | RESTRICTED TO - | |
| MATERIAL STAINLESS STEEL | | FINISH - | APPLICATION SPEC 114-13178 | SIZE A3 |
| | | WEIGHT - | 114-13178 | CAGE CODE 00779 |
| | | | Customer Drawing | DRAWING NO 1367646 |
| | | | SCALE 5:1 | SHEET 1 OF 3 |
| | | | | REV C3 |

4

3

2

1

THIS DRAWING IS UNPUBLISHED.

RELEASED FOR PUBLICATION

20

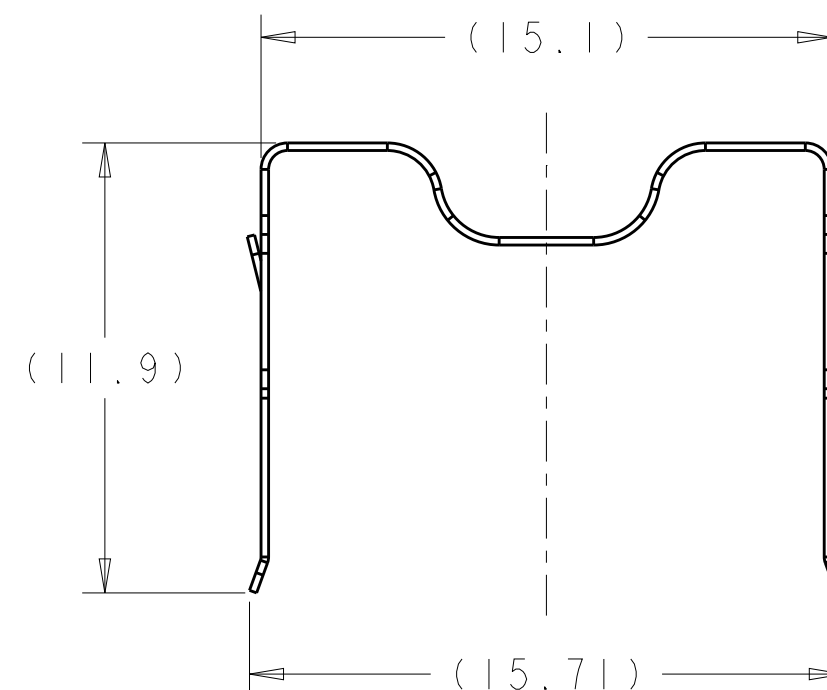
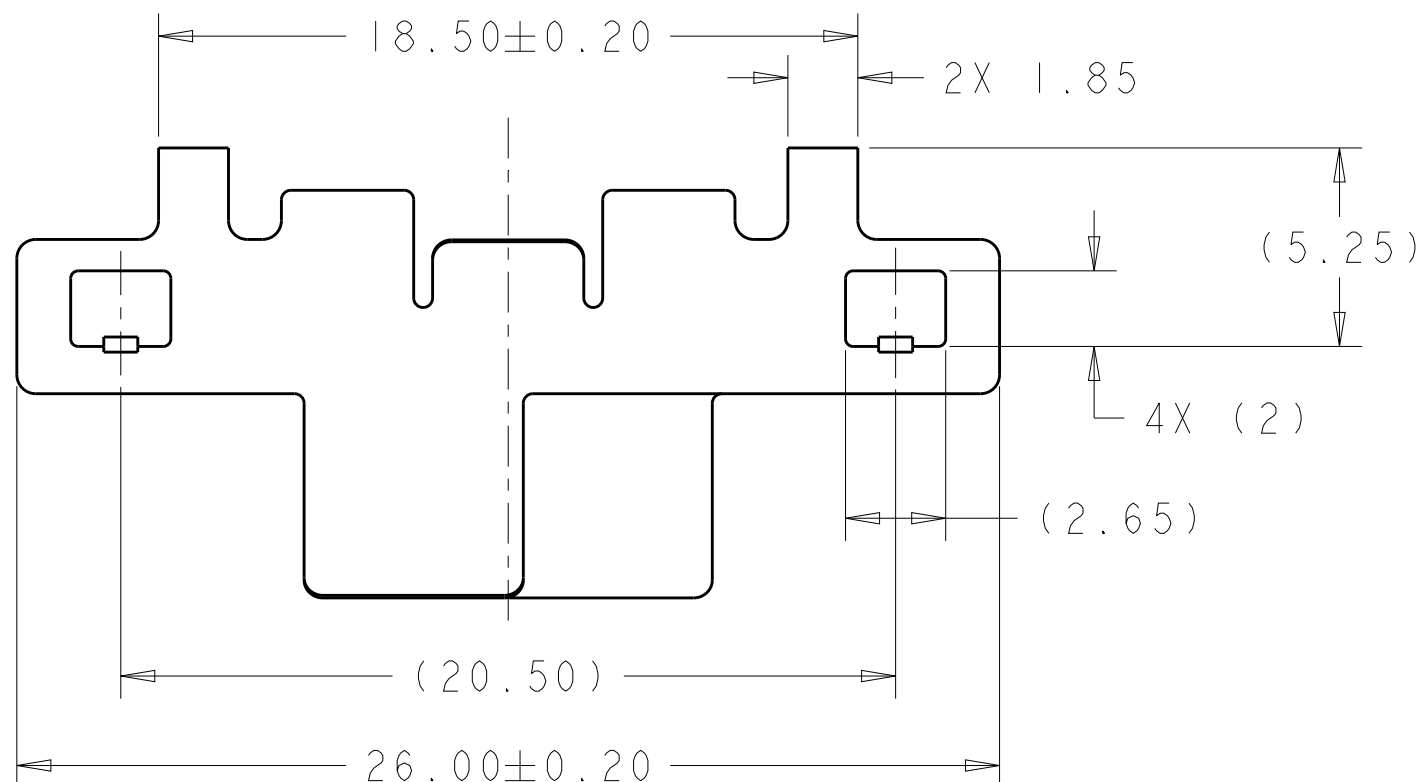
© COPYRIGHT 20 BY -

ALL RIGHTS RESERVED.

LOC GP DIST 00

REVISIONS

| P | LTR | DESCRIPTION | DATE | DWN | APVD |
|---|-----|-------------|------|-----|------|
| | | SEE SHEET 1 | | | |
| | | | | | |
| | | | | | |



| | |
|---------|-------------|
| TRAY | 1367646-8 |
| PACKAGE | PART NUMBER |

THIS DRAWING IS A CONTROLLED DOCUMENT.

DWN P. KERLIN 11MAY2006
 CHK E. BRIGHT 11MAY2006
 APVD F. BRIGHT 11MAY2006



| | |
|-------------------|--|
| DIMENSIONS: mm | TOLERANCES UNLESS OTHERWISE SPECIFIED: |
| | 0 PLC ± - |
| | 1 PLC ± - |
| | 2 PLC ± 0.10 |
| | 3 PLC ± - |
| | 4 PLC ± - |
| ANGLES ± - | |

PRODUCT SPEC -
 APPLICATION SPEC 114-13178
 WEIGHT -

NAME HEAT SINK CLIP, DWDM SFP
 -

MATERIAL - FINISH -

Customer Drawing

| | | | |
|-----------|-----------------|---------------------|-----------------|
| SIZE A3 | CAGE CODE 00779 | DRAWING NO. 1367646 | RESTRICTED TO - |
| SCALE 5:1 | | SHEET 2 OF 3 | REV C3 |

THIS DRAWING IS UNPUBLISHED.

RELEASED FOR PUBLICATION

20

© COPYRIGHT 20 BY -

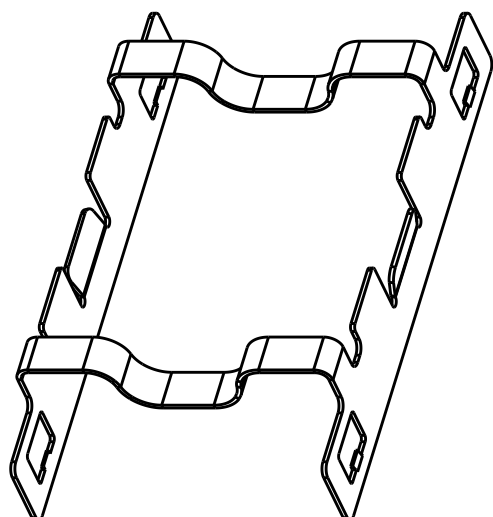
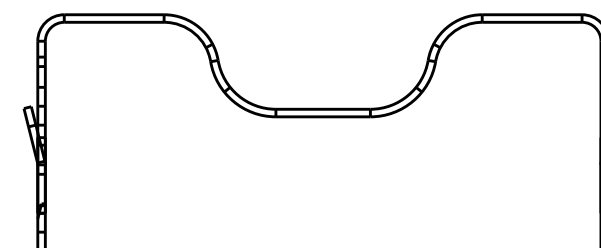
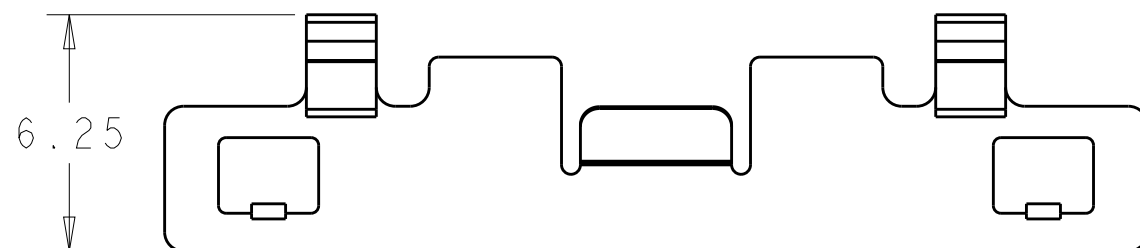
ALL RIGHTS RESERVED.

LOC
GP DIST
00

REVISIONS

| P | LTR | DESCRIPTION | DATE | DWN | APVD |
|---|-----|-------------|------|-----|------|
| - | | SEE SHEET 1 | - | - | - |
| | | | | | |
| | | | | | |

PART NUMBER: 1-1367646-0
UNSPECIFIED DIMENSIONS REFER TO PN 1367646-8



THIS DRAWING IS A CONTROLLED DOCUMENT.

| | | | |
|-------------------|--|--|-------|
| DIMENSIONS: mm | | TOLERANCES UNLESS OTHERWISE SPECIFIED: | |
| | | 0 PLC | ±- |
| | | 1 PLC | ±- |
| | | 2 PLC | ±0.10 |
| | | 3 PLC | ±- |
| | | 4 PLC | ±- |
| MATERIAL - | | FINISH - | |
| | | ANGLES ±- | |

| | | |
|------------------|-----------|-----------|
| DWN | P. KERLIN | 11MAY2006 |
| CHK | E. BRIGHT | 11MAY2006 |
| APVD | E. BRIGHT | 11MAY2006 |
| PRODUCT SPEC | | |
| - | | |
| APPLICATION SPEC | | |
| 114-13178 | | |
| WEIGHT - | | |
| Customer Drawing | | |

| | | | |
|-------------------------------------|-----------|---------------------|---------------|
| TRAY | | 1-1367646-0 | |
| PACKAGE | | PART NUMBER | |
| TE Connectivity | | | |
| NAME HEAT SINK CLIP, DWDM SFP | | | |
| SIZE | CAGE CODE | DRAWING NO | RESTRICTED TO |
| A3 | 00779 | C-1367646 | - |
| SCALE 5:1 | | SHEET 3 OF 3 REV C3 | |

X-ON Electronics

Largest Supplier of Electrical and Electronic Components

Click to view similar products for [Heat Sinks](#) category:

Click to view products by [TE Connectivity](#) manufacturer:

Other Similar products are found below :

[581102B00000G](#) [656-15ABPE](#) [657-20ABPNE](#) [7020B-TC12-MTG](#) [73452PPBA](#) [7G0011A](#) [PF720G](#) [A22-4026](#) [120-1873-007](#) [HAH10L](#)
[HAH15L](#) [1542616-1](#) [HS-2506-F1](#) [HS-87M0-F2](#) [218-40CTE3](#) [231-69PAB-15V](#) [25-7520](#) [SW50-4G](#) [231-75PAB-13V](#) [231-75PAB-15V](#) [253-](#)
[122ABE-22](#) [PSC22CB](#) [HAF10L](#) [HAQ10T](#) [D10100-28](#) [BDN183CBA01](#) [3-21053-4](#) [32438](#) [TX0506-1B](#) [TX1806B](#) [LAE66A3CB](#) [WA-DT2-](#)
[101E](#) [511-3U](#) [73381PPBA](#) [73403PPBA](#) [7G0047C](#) [COMX-440-HSP](#) [510-12M](#) [D10650-40T5](#) [V8511 Y](#) [APF40-40-13CB/A01](#)
[780653U04500G](#) [ATS-54310K-C2-R0](#) [FK 216 CB SA](#) [FK 231 SA 220](#) [648-51AB](#) [657-20ABPESC](#) [2341BG](#) [679-25AG](#) [FK 212 CB SA](#)