

THIS DRAWING IS UNPUBLISHED.

RELEASED FOR PUBLICATION

20

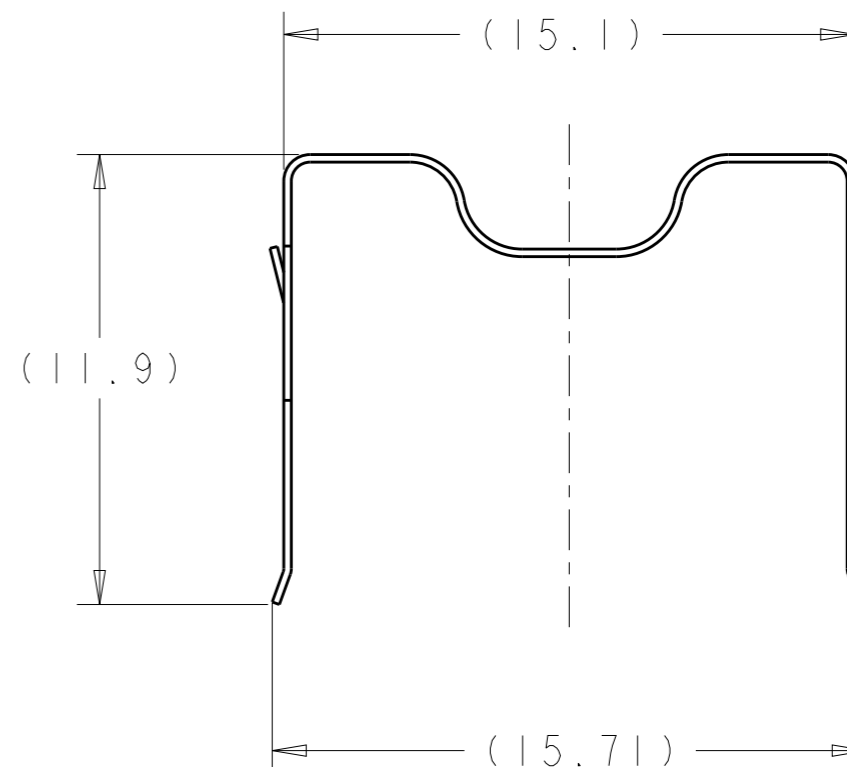
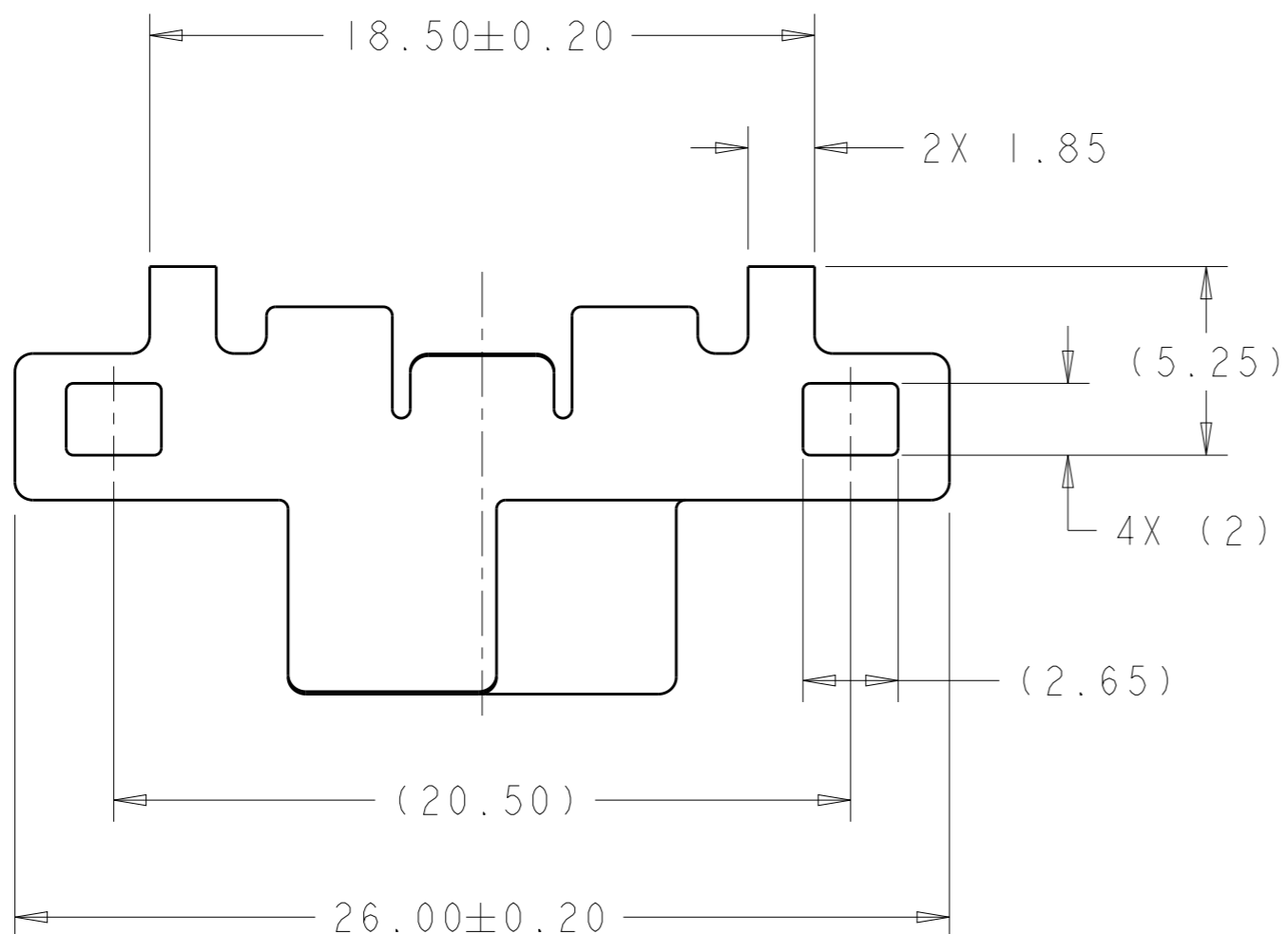
© COPYRIGHT 20 BY -

ALL RIGHTS RESERVED.

LOC GP DIST 00

REVISIONS

P	LTR	DESCRIPTION	DATE	DWN	APVD
	C	REVISED PER ECO-12-009760	14MAY2012	JJ	AC
	C1	REVISED PER ECO-14-000741	16JAN2014	PP	SH
	C2	REVISED PER ECO-15-001048	22JAN2015	PP	SH
	C3	REVISED PER ECO-19-009461	20JUN2019	IT	SH

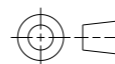


**SUPERSEDED BY:**  
1367646-4

TRAY	1367646-4
<del>BAG</del>	<del>1367646-1</del>
PACKAGE	PART NUMBER

THIS DRAWING IS A CONTROLLED DOCUMENT.

DIMENSIONS:  
mm



TOLERANCES UNLESS OTHERWISE SPECIFIED:

0 PLC	±-
1 PLC	±-
2 PLC	±0.10
3 PLC	±-
4 PLC	±-
ANGLES	±-

MATERIAL  
STAINLESS  
STEEL

FINISH  
-

DWN P. KERLIN 11MAY2006  
 CHK E. BRIGHT 11MAY2006  
 APVD E. BRIGHT 11MAY2006

PRODUCT SPEC -  
 APPLICATION SPEC 114-13178  
 WEIGHT -

Customer Drawing

**STE** TE Connectivity

NAME HEAT SINK CLIP, DWDM SFP

SIZE A3	CAGE CODE 00779	DRAWING NO. C=1367646	RESTRICTED TO -
SCALE 5:1		SHEET 1 OF 3	REV C3

4

3

2

1

THIS DRAWING IS UNPUBLISHED.

RELEASED FOR PUBLICATION

20

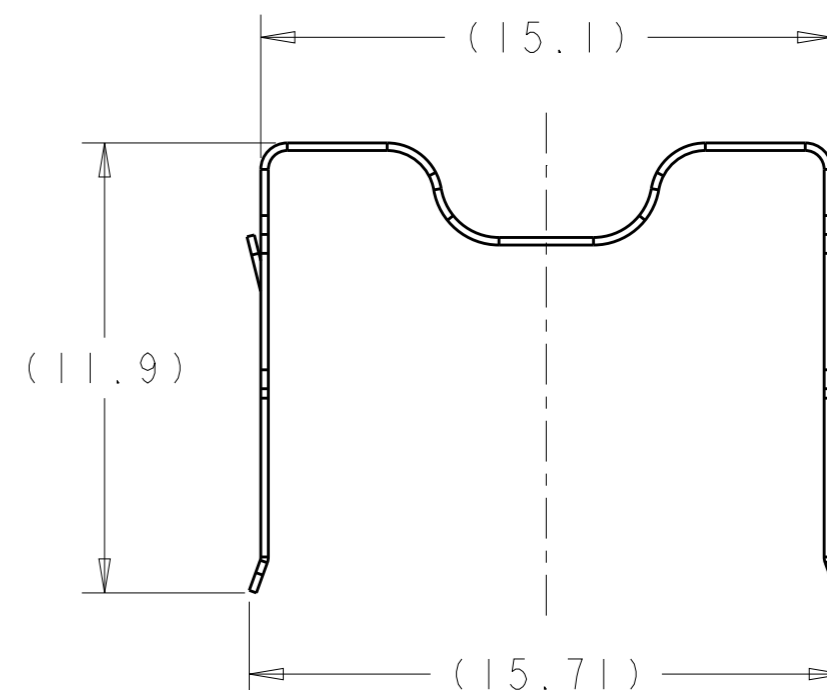
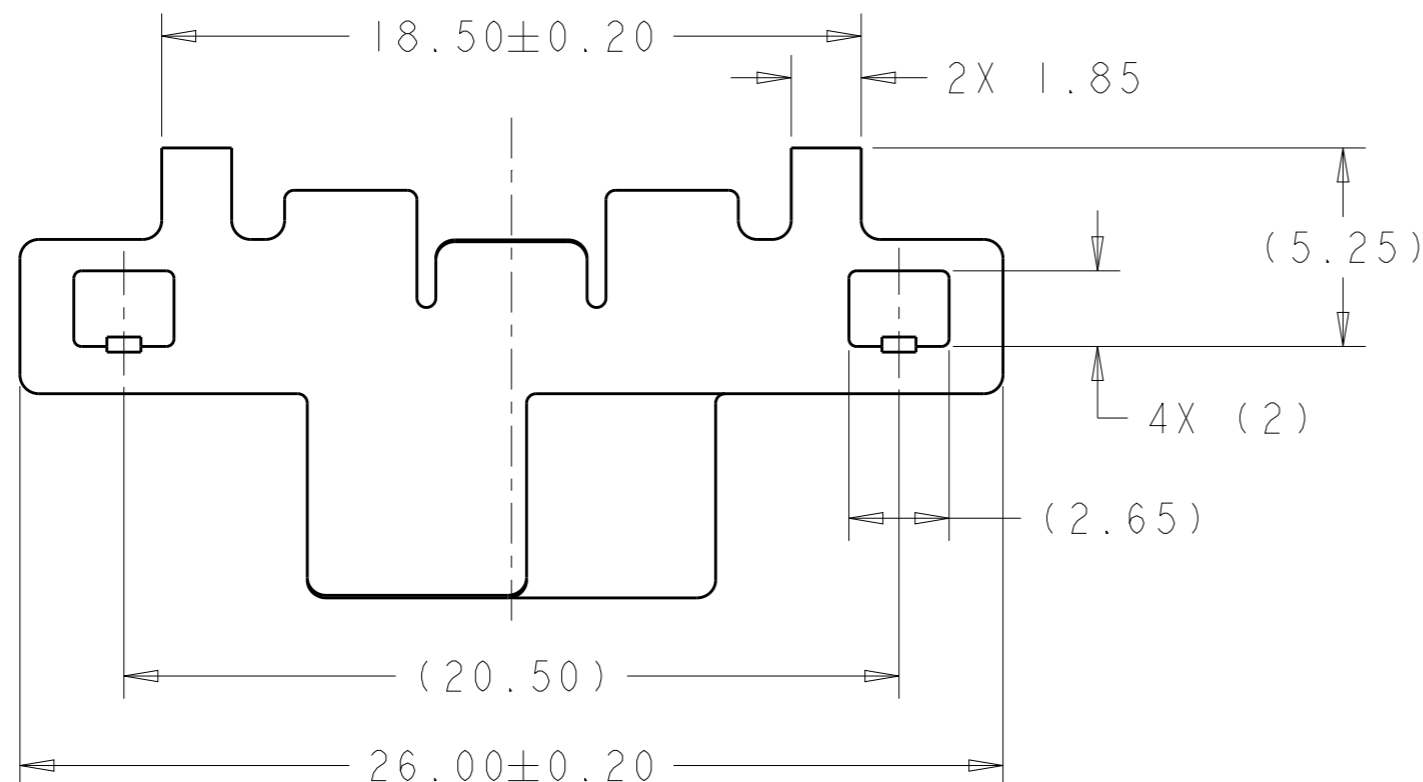
© COPYRIGHT 20 BY -

ALL RIGHTS RESERVED.

LOC GP DIST 00

REVISIONS

P	LTR	DESCRIPTION	DATE	DWN	APVD
		SEE SHEET 1			



TRAY	1367646-8
PACKAGE	PART NUMBER

THIS DRAWING IS A CONTROLLED DOCUMENT.

DIMENSIONS: mm



TOLERANCES UNLESS OTHERWISE SPECIFIED:

- 0 PLC ± -
- 1 PLC ± -
- 2 PLC ± 0.10
- 3 PLC ± -
- 4 PLC ± -
- ANGLES ± -

MATERIAL -

FINISH -

DWN P. KERLIN 11MAY2006  
 CHK E. BRIGHT 11MAY2006  
 APVD F. BRIGHT 11MAY2006

PRODUCT SPEC -

APPLICATION SPEC 114-13178

WEIGHT -

Customer Drawing

**STE** TE Connectivity

NAME HEAT SINK CLIP, DWDM SFP

SIZE A3	CAGE CODE 00779	DRAWING NO C=1367646	RESTRICTED TO -
---------	-----------------	----------------------	-----------------

SCALE 5:1 SHEET 2 OF 3 REV C3

THIS DRAWING IS UNPUBLISHED.

RELEASED FOR PUBLICATION

20

© COPYRIGHT 20 BY -

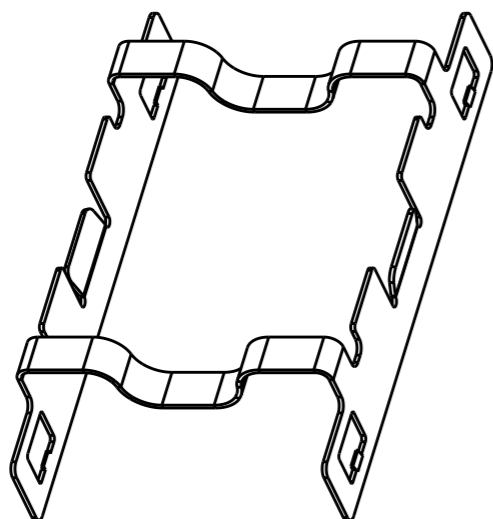
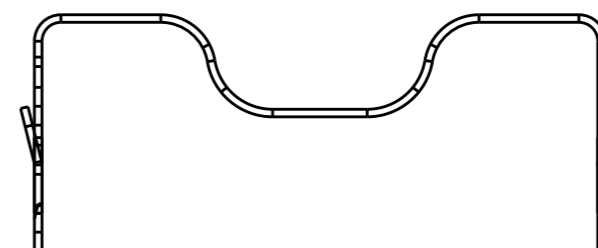
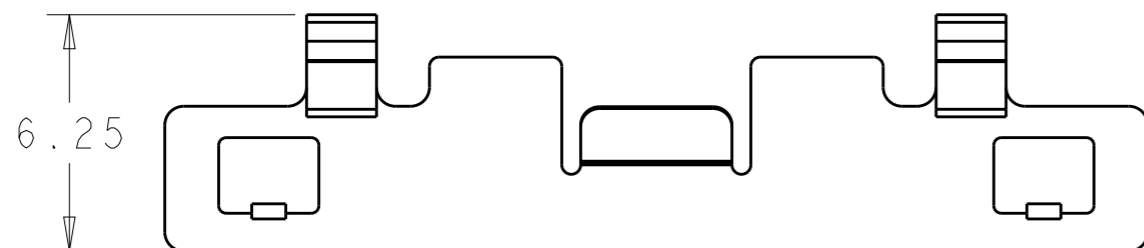
ALL RIGHTS RESERVED.

LOC  
GP DIST  
00

REVISIONS

P	LTR	DESCRIPTION	DATE	DWN	APVD
-		SEE SHEET 1	-	-	-

PART NUMBER: 1-1367646-0  
UNSPECIFIED DIMENSIONS REFER TO PN 1367646-8



THIS DRAWING IS A CONTROLLED DOCUMENT.

DIMENSIONS:	TOLERANCES UNLESS OTHERWISE SPECIFIED:
mm	0 PLC ±-
	1 PLC ±-
	2 PLC ±0.10
	3 PLC ±-
	4 PLC ±-
	ANGLES ±-

MATERIAL - FINISH -

DWN P. KERLIN 11MAY2006

CHK E. BRIGHT 11MAY2006

APVD E. BRIGHT 11MAY2006

PRODUCT SPEC -

APPLICATION SPEC 114-13178

WEIGHT -

Customer Drawing

TRAY 1-1367646-0

PACKAGE PART NUMBER

**STE** TE Connectivity

NAME HEAT SINK CLIP, DWDM SFP

SIZE CAGE CODE DRAWING NO RESTRICTED TO

A300779 C-1367646 -

SCALE 5:1 SHEET 3 OF 3 REV C3

## X-ON Electronics

Largest Supplier of Electrical and Electronic Components

*Click to view similar products for [Heat Sinks](#) category:*

*Click to view products by [TE Connectivity](#) manufacturer:*

Other Similar products are found below :

[581102B00000G](#) [656-15ABPE](#) [657-20ABPNE](#) [7020B-TC12-MTG](#) [73452PPBA](#) [7G0011A](#) [PF720G](#) [A22-4026](#) [HAH10L](#) [HAH15L](#) [HF20](#)  
[1542616-1](#) [HS-2506-F1](#) [HS-87M0-F2](#) [218-40CTE3](#) [231-69PAB-15V](#) [25-7520](#) [SW50-4G](#) [231-75PAB-13V](#) [231-75PAB-15V](#) [253-122ABE-](#)  
[22](#) [PSC22CB](#) [CLP212SG](#) [CLP-7701G](#) [HAA083](#) [HAF10L](#) [HAQ10T](#) [D10100-28](#) [TO5-002D](#) [BDN183CBA01](#) [3-21053-4](#) [32438](#) [TX0506-1B](#)  
[TX1806B](#) [LAE66A3CB](#) [WA-DT2-101E](#) [511-3U](#) [73381PPBA](#) [73403PPBA](#) [7G0047C](#) [COMX-440-HSP](#) [510-12M](#) [D10650-40T5](#) [V8511 Y](#)  
[APF40-40-13CB/A01](#) [780653U04500G](#) [ATS-54310K-C2-R0](#) [FK 216 CB SA](#) [FK 231 SA 220](#) [648-51AB](#)