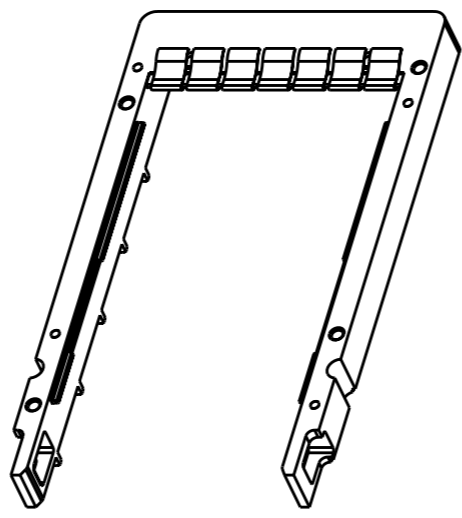


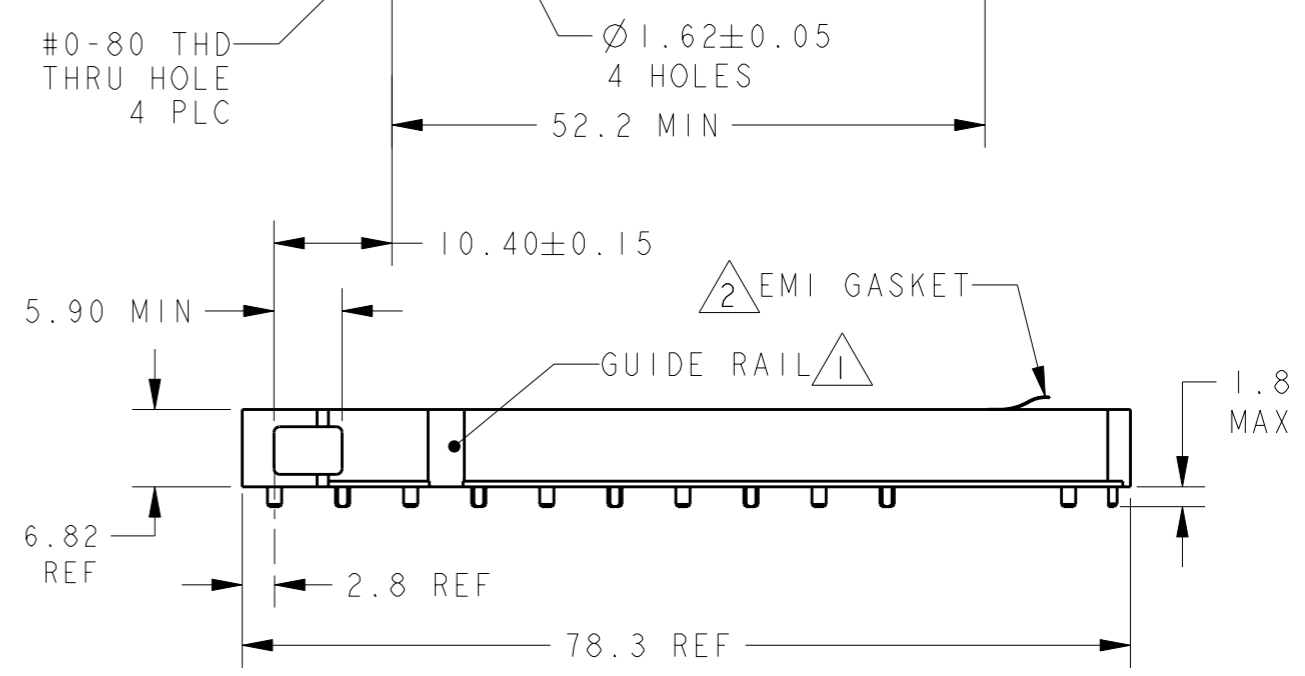
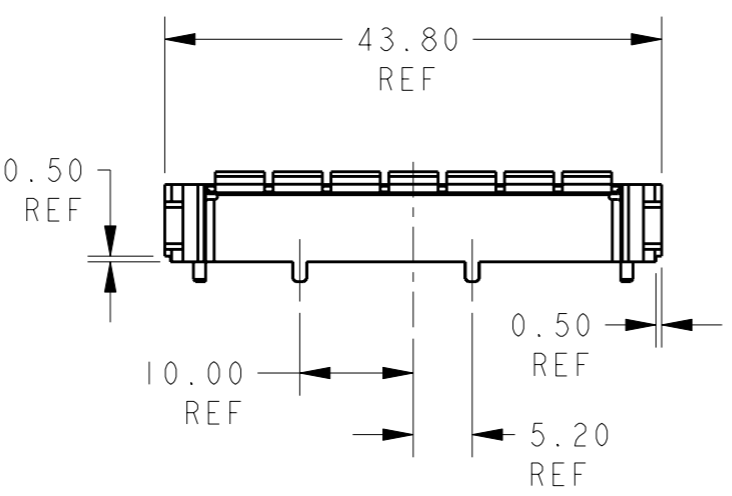
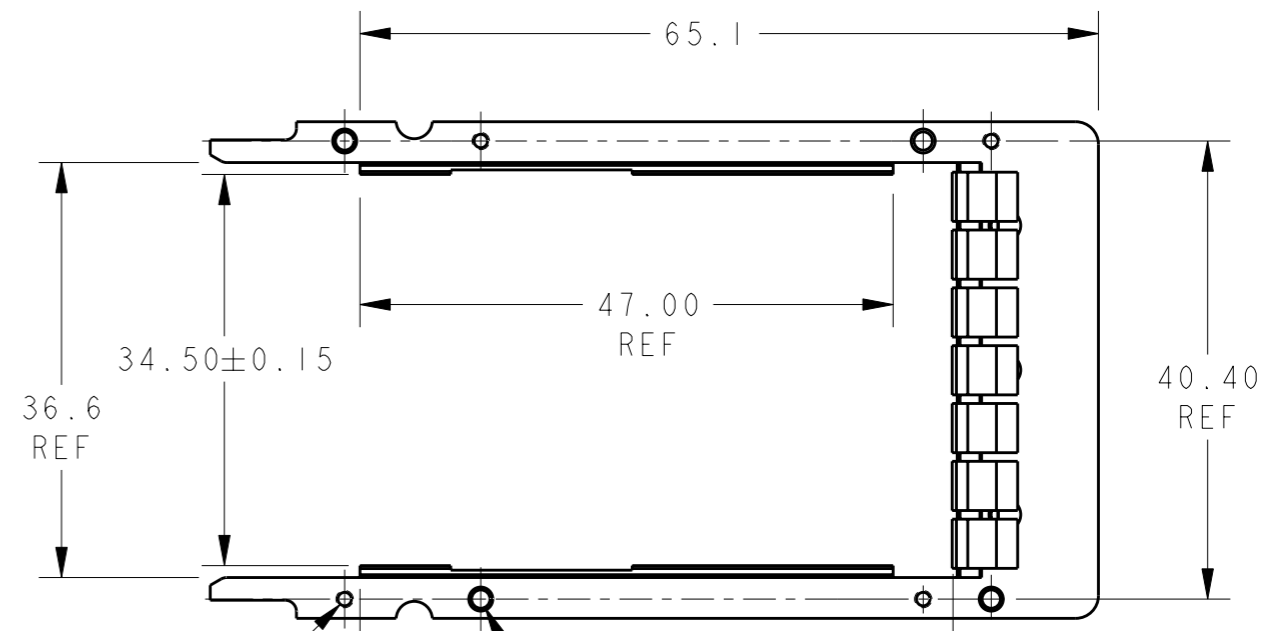
THIS DRAWING IS UNPUBLISHED. RELEASED FOR PUBLICATION 20
 © COPYRIGHT 20 BY TYCO ELECTRONICS CORPORATION. ALL RIGHTS RESERVED.

LOC	DIST	REVISIONS					
		P	LTR	DESCRIPTION	DATE	DWN	APVD
-	-		A	RELEASED PER ECO-07-007698	11APR07	BM	MS
			AI	ECR-08-019072	31JUL08	AZ	SY

- 1. GUIDE RAIL MATERIAL: ZINC
GUIDE RAIL PLATING: 1.27 μM MIN THICK NICKEL,
OVER 5.0 μM MIN THK COPPER
- 2. EMI GASKET MATERIAL: COPPER ALLOY
EMI GASKET PLATING: MATTE TIN, 2.0 μM MIN THK
- 3. DATUMS X AND Y TO BE ESTABLISHED BY CUSTOMER
- 4. DESIGN ACCEPTS MODULES THAT ARE COMPLIANT WITH X2 SPECIFICATION REV 2.0b
- 5. SEE CUSTOMER DRAWING 1367337-1 FOR CONNECTOR PAD DIMENSIONS
- 6. RECOMMENDATION FOR PCB HOLES:
A. HOLE DIA. AFTER DRILLING: 1.55 +0.02
B. HOLE DIA. AFTER TIN-LEAD PLAT: 1.45+.05
C. 25-50 MICROMETERS COPPER UNDERPLATE
D. MAXIMUM 35 MICROMETERS TIN-LEAD PLATING
- 7. 3.0 MINIMUM PCB THICKNESS FOR BELLY TO BELLY APPLICATION
- 8. BEZEL REQUIREMENTS PER X2 MSA SPECIFICATION REV 2.0b
- 9. #0-80 SOCKET HEAD CAP SCREW SUPPLIED BY CUSTOMER. 4 PLACES.
- 10. OPTIONAL HOLES FOR M3 SCREW / STANDOFFS
- 11. CROSS HATCH AREA DENOTES RAISED SURFACE, 0.5mm OFF HOST BOARD
- 12. SURFACE OF RAIL IN CONTACT WITH HOST BOARD
- 13. REFERENCE INSTRUCTION SHEET 408-10102 FOR ADDITIONAL INFORMATION.



SCALE 1:1



PART NUMBER 1367710-1

THIS DRAWING IS A CONTROLLED DOCUMENT FOR TYCO ELECTRONICS CORPORATION IT IS SUBJECT TO CHANGE AND THE CONTROLLING ENGINEERING ORGANIZATION SHOULD BE CONTACTED FOR THE LATEST REVISION.		DWN D.E.STAHL 16JUN2005	Tyco Electronics Harrisburg, PA 17105-3608	
DIMENSIONS: mm		CHK E.BRIGHT 16JUN2005		
TOLERANCES UNLESS OTHERWISE SPECIFIED:		APVD E.BRIGHT 16JUN2005	NAME X2 CAST METAL GUIDE FRAME, TYPE 2	
0 PLC ±.5 1 PLC ±.2 2 PLC ±.1 3 PLC ±.05 4 PLC ±. ANGLES ±.1		PRODUCT SPEC -	RESTRICTED TO -	
MATERIAL -		FINISH -	APPLICATION SPEC -	SIZE A3
		WEIGHT -	WEIGHT -	CAGE CODE 300779
				DRAWING NO 1367710
				SCALE 3:2
				SHEET 1 OF 4
				REV AI

4

3

2

1

THIS DRAWING IS UNPUBLISHED. RELEASED FOR PUBLICATION 20
 © COPYRIGHT 20 BY TYCO ELECTRONICS CORPORATION. ALL RIGHTS RESERVED.

LOC	DIST	REVISIONS			
P	LTR	DESCRIPTION	DATE	DWN	APVD
-	-	SEE SHEET 1	-	-	-

D

D

C

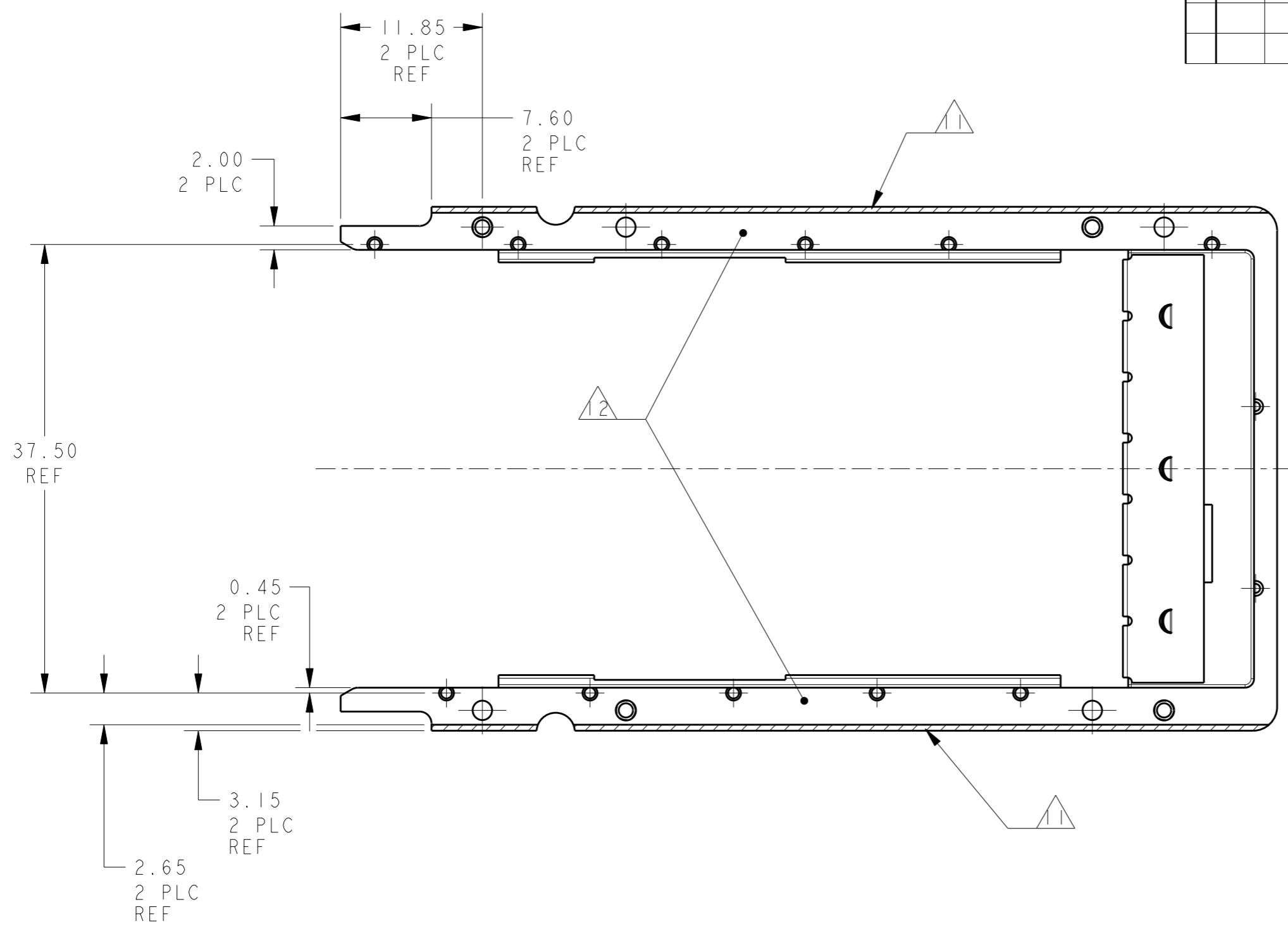
C

B

B

A

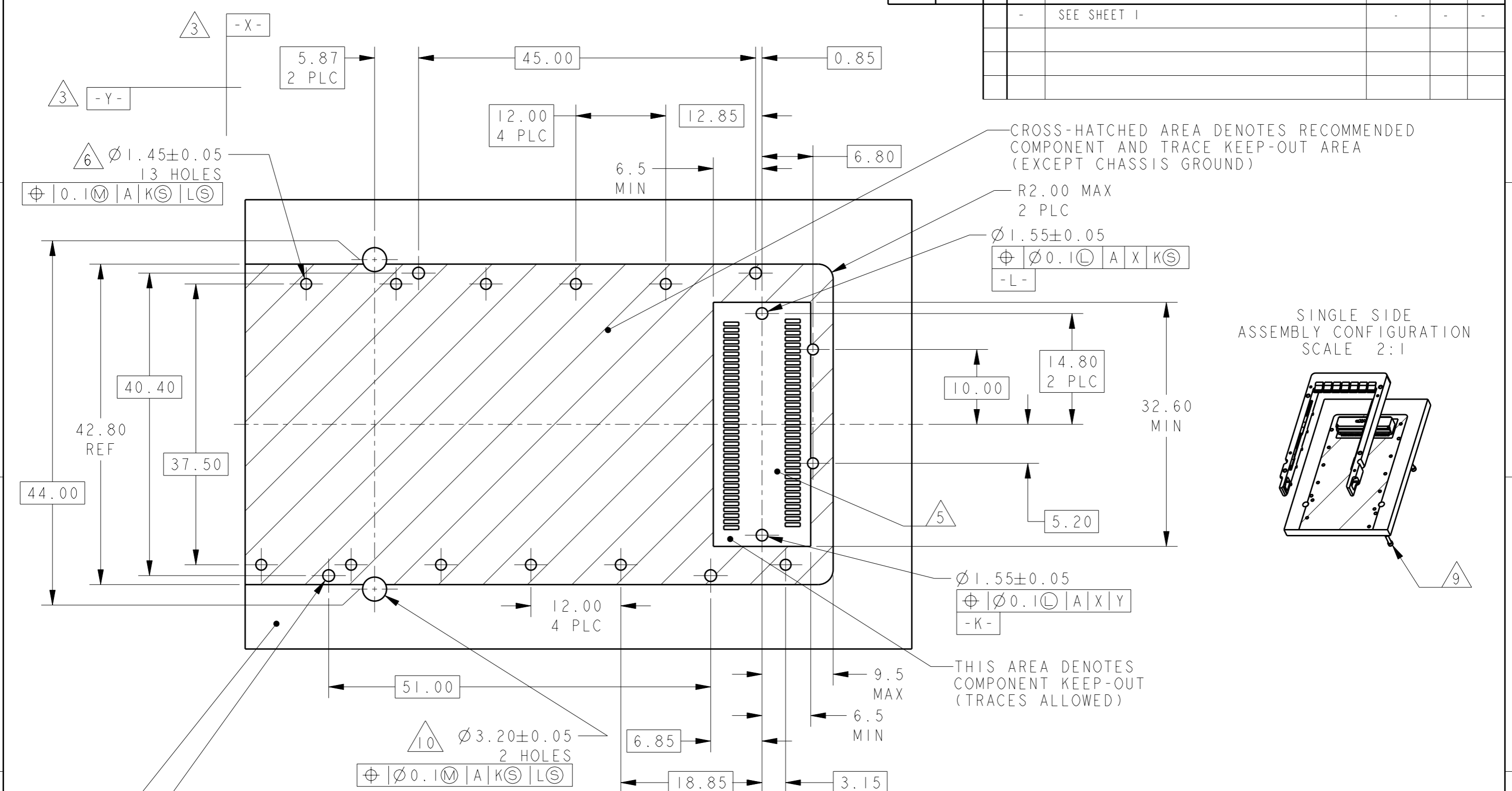
A



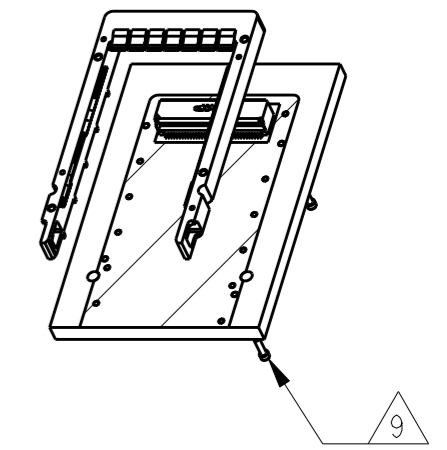
<small>THIS DRAWING IS A CONTROLLED DOCUMENT FOR TYCO ELECTRONICS CORPORATION IT IS SUBJECT TO CHANGE AND THE CONTROLLING ENGINEERING ORGANIZATION SHOULD BE CONTACTED FOR THE LATEST REVISION.</small>		DWN D.E. STAHL 16JUN2005 CHK E. BRIGHT 16JUN2005 APVD E. BRIGHT 16JUN2005		Tyco Electronics Harrisburg, PA 17105-3608	
DIMENSIONS: mm		TOLERANCES UNLESS OTHERWISE SPECIFIED: 0 PLC ±.5 1 PLC ±.2 2 PLC ±.1 3 PLC ±.05 4 PLC ±. ANGLES ±.1		NAME X2 CAST METAL GUIDE FRAME, TYPE 2	
		MATERIAL - FINISH -		PRODUCT SPEC - APPLICATION SPEC - WEIGHT -	
CUSTOMER DRAWING		SCALE 3:2		SIZE A3 CAGE CODE 00779 DRAWING NO C-1367710 SHEET 2 OF 4 REV A	

THIS DRAWING IS UNPUBLISHED. RELEASED FOR PUBLICATION 20
 © COPYRIGHT 20 BY TYCO ELECTRONICS CORPORATION. ALL RIGHTS RESERVED.

LOC	DIST	REVISIONS			
P	LTR	DESCRIPTION	DATE	DWN	APVD
-	-	SEE SHEET 1	-	-	-



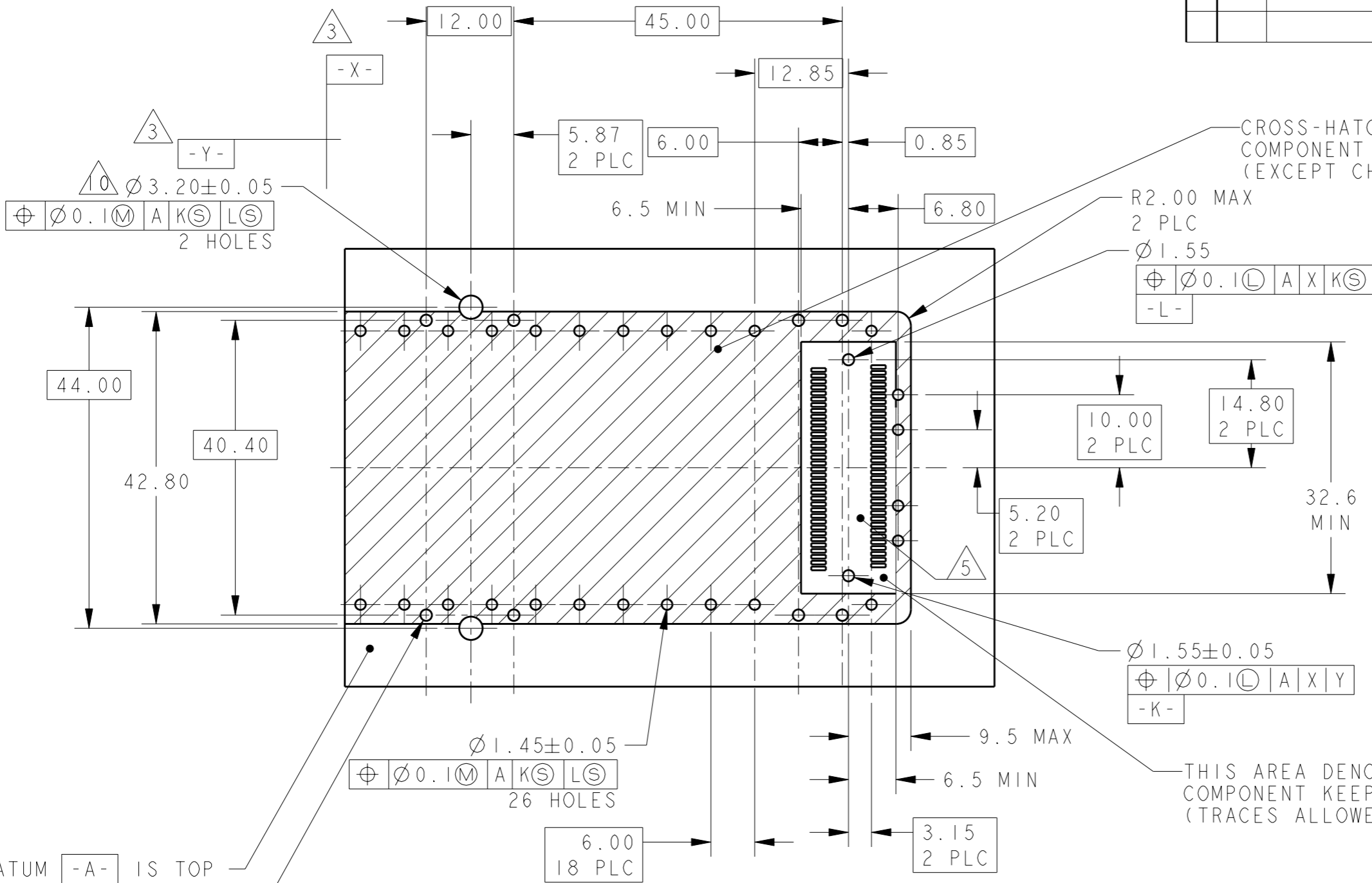
SINGLE SIDE ASSEMBLY CONFIGURATION SCALE 2:1



THIS DRAWING IS A CONTROLLED DOCUMENT FOR TYCO ELECTRONICS CORPORATION IT IS SUBJECT TO CHANGE AND THE CONTROLLING ENGINEERING ORGANIZATION SHOULD BE CONTACTED FOR THE LATEST REVISION.		DWN D.E.STAHL 16JUN2005 CHK E.BRIGHT 16JUN2005 APVD E.BRIGHT 16JUN2005		tyco Tyco Electronics Electronics Harrisburg, PA 17105-3608	
DIMENSIONS: mm		TOLERANCES UNLESS OTHERWISE SPECIFIED: 0 PLC ±.5 1 PLC ±.2 2 PLC ±.1 3 PLC ±.05 4 PLC ±. ANGLES ±.1		NAME X2 CAST METAL GUIDE FRAME, TYPE 2	
MATERIAL -		FINISH -		PRODUCT SPEC - APPLICATION SPEC - WEIGHT -	
CUSTOMER DRAWING		SCALE 3:2		SHEET 3 OF 4 REV A	

THIS DRAWING IS UNPUBLISHED. RELEASED FOR PUBLICATION 20
 © COPYRIGHT 20 BY TYCO ELECTRONICS CORPORATION. ALL RIGHTS RESERVED.

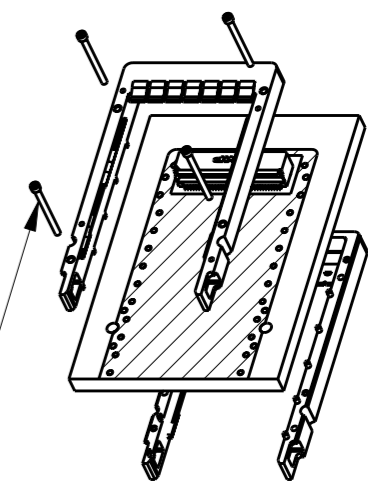
LOC	DIST	P	LTR	DESCRIPTION	DATE	DWN	APVD
-	-	-	-	SEE SHEET 1	-	-	-



CROSS-HATCHED AREA DENOTES RECOMMENDED COMPONENT AND TRACE KEEP-OUT AREA (EXCEPT CHASSIS GROUND)

R2.00 MAX 2 PLC
 Ø 1.55
 Ø 0.1 (L) A X K (S)
 -L-

X2 RECOMMENDED PCB LAYOUT FOR BELLY TO BELLY CONFIGURATION SCALE 2:1



THIS AREA DENOTES COMPONENT KEEP-OUT AREA (TRACES ALLOWED)

DATUM -A- IS TOP SURFACE OF HOST BOARD

THIS DRAWING IS A CONTROLLED DOCUMENT FOR TYCO ELECTRONICS CORPORATION IT IS SUBJECT TO CHANGE AND THE CONTROLLING ENGINEERING ORGANIZATION SHOULD BE CONTACTED FOR THE LATEST REVISION.

DIMENSIONS:	TOLERANCES UNLESS OTHERWISE SPECIFIED:
mm	0 PLC ±.5
	1 PLC ±.2
	2 PLC ±.1
	3 PLC ±.05
	4 PLC ±.
	ANGLES ±.1
MATERIAL	FINISH
-	-

DWN	D.E. STAHL	16JUN2005		Tyco Electronics	
CHK	E. BRIGHT	16JUN2005		Harrisburg, PA 17105-3608	
APVD	E. BRIGHT	16JUN2005			
PRODUCT SPEC			NAME	X2 CAST METAL GUIDE FRAME, TYPE 2	
APPLICATION SPEC			SIZE	CAGE CODE	DRAWING NO
WEIGHT			A3	00779	C-1367710
CUSTOMER DRAWING			SCALE	SHEET	OF
			3:2	4	4
			REV	A	

X-ON Electronics

Largest Supplier of Electrical and Electronic Components

Click to view similar products for [I/O Connectors](#) category:

Click to view products by [TE Connectivity](#) manufacturer:

Other Similar products are found below :

[571763P](#) [72.250.1628.2](#) [72.250.2428.2](#) [74720-0505](#) [76.350.0729.0](#) [76871-1403](#) [FCN-244F080-G/1](#) [FCN-260A9920](#) [MP-5T180MUNNA-005](#)
[PCR-E36PM](#) [PCS-XE26MA+](#) [G38A71314B](#) [1571250010](#) [157-22500-3](#) [MS3471L14-19P L/C](#) [91-569786-35H](#) [172501-4002](#) [172501-6002](#)
[FCN-260C008-A/L0](#) [FCN-260C024-AL0](#) [FCN-261Z008](#) [2000314-1](#) [200331-1](#) [PCR-E36FC+](#) [PCS-E28FS+](#) [PCS-XE26SLFD+](#) [PCS-](#)
[XE26SLFDT+](#) [G730VID08BDC24](#) [U90B2054081210](#) [UE86K842720321](#) [38113800006](#) [DP3AR020WQ1R200](#) [Z4.102.0680.0](#) [500-1040](#)
[500-1052](#) [500-1054](#) [ZP-4008-66L](#) [0709821002](#) [10-565995-597N](#) [DX40-20P\(55\)](#) [5554841-1](#) [MS3474W18-8P-LC*](#) [U90B3054061110](#) [U65-](#)
[E04-4020](#) [ZPF000000000097891](#) [557-262M2-06C](#) [747360449](#) [10099439-003C-TRLF](#) [10137239-0021LF](#) [E9320-001-01](#)