

THIS DRAWING IS UNPUBLISHED. RELEASED FOR PUBLICATION 20  
 © COPYRIGHT 20 BY - ALL RIGHTS RESERVED.

REVISIONS				
P	LTR	DESCRIPTION	DATE	APVD
B		REVISED PER ECR-19-009721	01JUL2019	M.G D.Z

- NOTE;
- THIS HOUSING ACCEPTS TAB TERMINAL:  
 -TAB CONTACT: 177917-□ (AWG#16-#20)  
 177916-□ (AWG#22-#26)
  - MATING CONN. P/N  
 -PLUG HSG: □-368575-□  
 -REC CONTACT: 177915-□ (AWG#16-#20)  
 177914-□ (AWG#22-#26)
  - APPLICABLE DOUBLE LOCK PLATE: □-368590-1
  - GENERAL TOLERANCES: ±0.3
  - APPLICATOIN PANEL THICKNESS: 0.8~2.0 (SEE FIG 1.)
  - INSERT CONN. FROM PRESS DIRECTION SIDE FOR METAL PANEL.
  - EDGE OF THICKNESS MAY MUST NOT ROUND FOR MOLDED PANEL.
  - ALL PARTS COMPLY WITH GLOW WIRE REQUIREMENT FOR PARTS OF NON-METALLIC MATERIAL SUPPORTING A CURRENT-CARRYING CONNECTION DETAILED IN IEC 60335-1, SECTION 30(GWT)

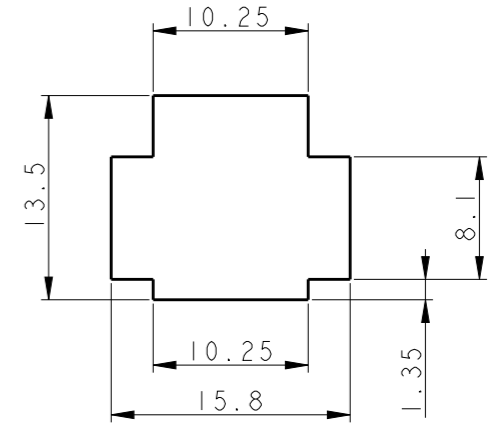
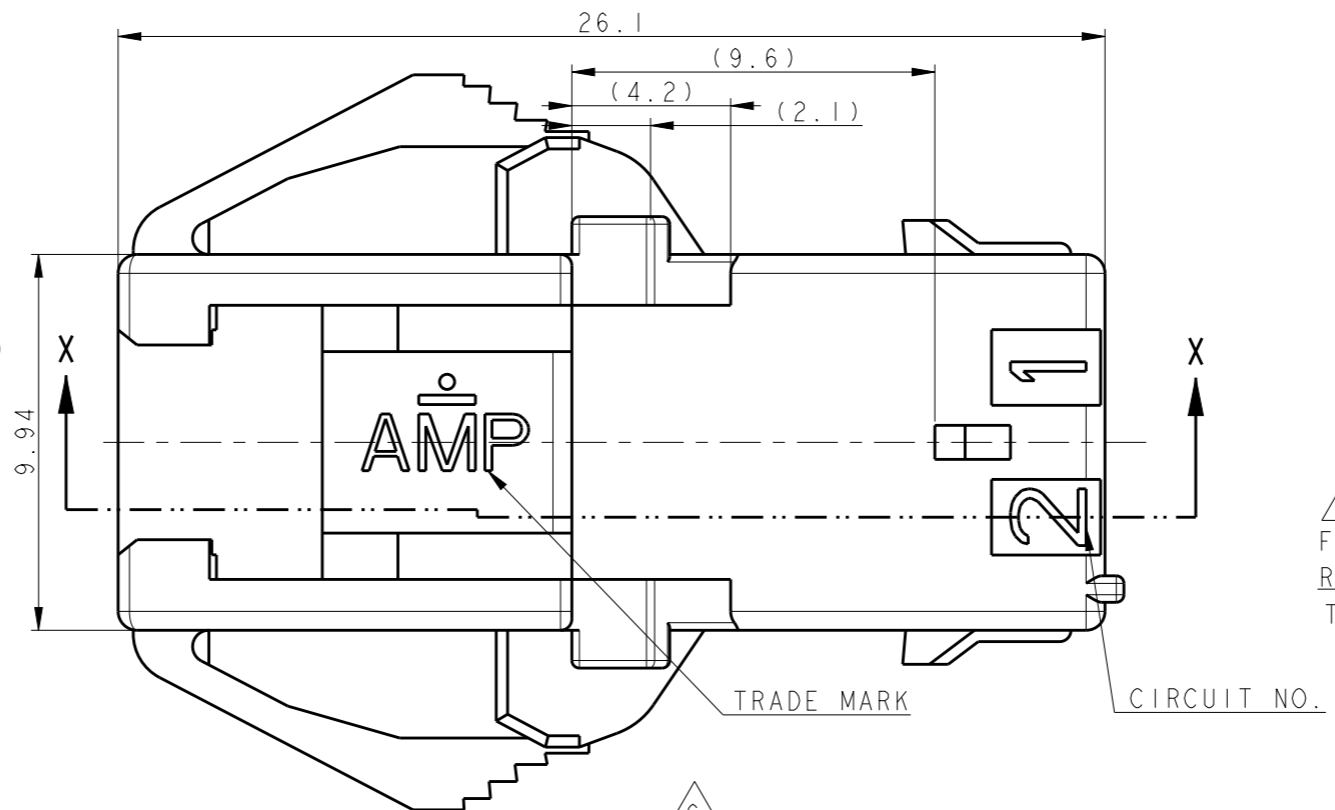
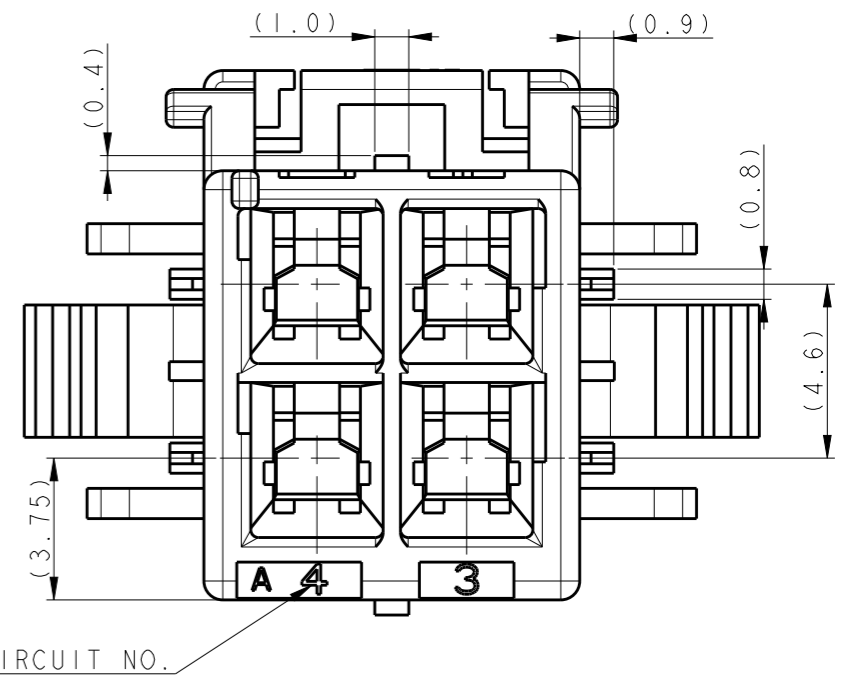
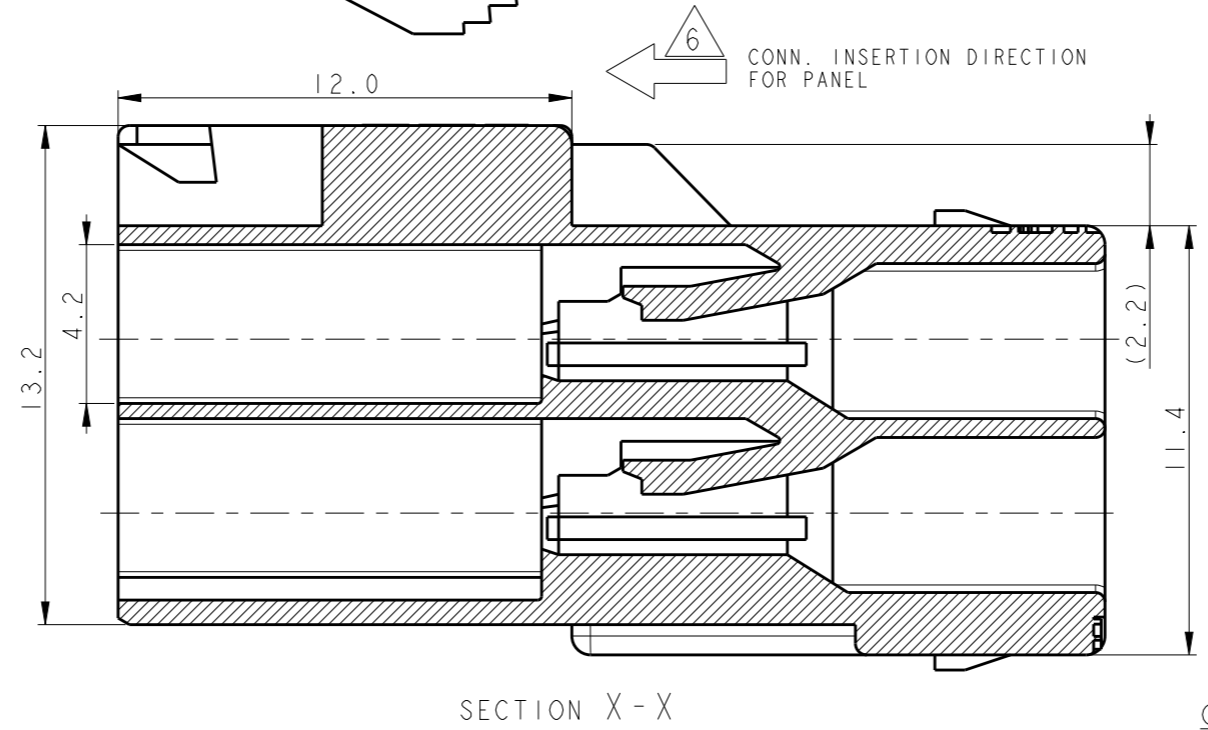
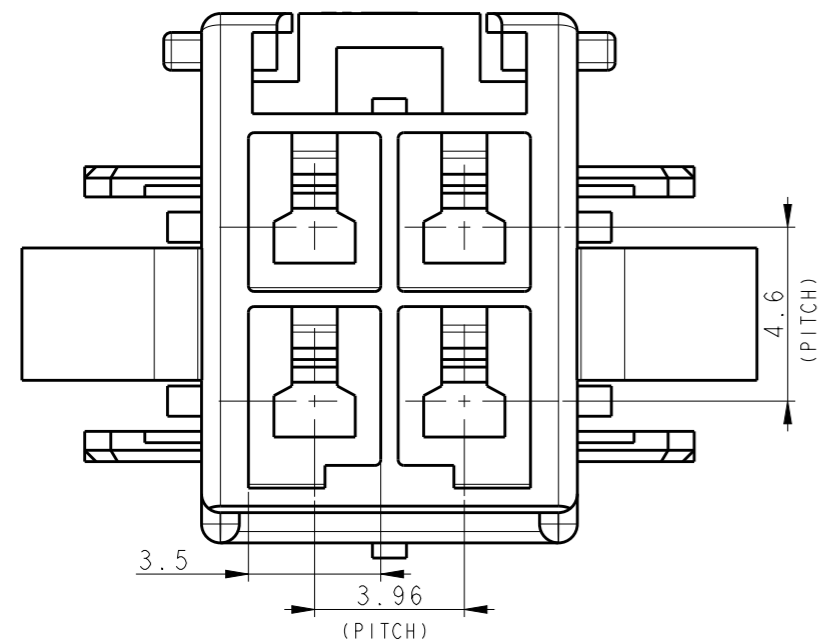


FIG 1.  
 RECOMMENDED PANEL OPENING DIMENSION  
 TOLERANCES: ±0.13



1-368589-6	PA66 UL94V-0	BLUE
1-368589-4		YELLOW
1-368589-2		RED
1-368589-1		NATURAL
368589-6	PA66 UL94V-2	BLUE
368589-4		YELLOW
368589-2		RED
368589-1		NATURAL
P/N	MATERIAL	COLOR

THIS DRAWING IS A CONTROLLED DOCUMENT.

DIMENSIONS:	TOLERANCES UNLESS OTHERWISE SPECIFIED:
mm	0 PLC ±
	1 PLC ±
	2 PLC ±
	3 PLC ±
	4 PLC ±
MATERIAL	ANGLES ±
SEE TABLE	FINISH -

DWN	SC KIM
CHK	BW KANG
APVD	JK SONG
PRODUCT SPEC	108-5410
APPLICATION SPEC	114-5175
WEIGHT	-
CUSTOMER DRAWING	

TE Connectivity		NAME	
		PDL 4P CAP HSG 3.96mm D/R P/M (GWT)	
SIZE	CAGE CODE	DRAWING NO	RESTRICTED TO
A3	00779	C-368589	-
SCALE		SHEET	REV
5:1		1 OF 1	B

## X-ON Electronics

Largest Supplier of Electrical and Electronic Components

*Click to view similar products for [Heavy Duty Power Connectors](#) category:*

*Click to view products by [TE Connectivity](#) manufacturer:*

Other Similar products are found below :

[647757-1](#) [6643411-1](#) [6646058-2](#) [6646137-1](#) [6646138-1](#) [6646479-1](#) [6646608-1](#) [6646786-1](#) [6646940-1](#) [6651091-1](#) [6651525-1](#) [6651529-1](#)  
[6651788-1](#) [696475-1](#) [702-32-01109](#) [703-25-02205](#) [73000005059](#) [73000005642](#) [73080255059](#) [73080965046](#) [765-15-0080A](#) [765-16-0080B](#)  
[765-18-0080D](#) [829992-1](#) [902-77-02113](#) [PS00/A0620/6300](#) [PS25/A0420/63](#) [129-1J](#) [1409400](#) [AN0024023](#) [E6374G1](#) [e6389g2](#) [157-43GW8](#)  
[MS3117-14AC](#) [1643543-1](#) [1650540-1](#) [1651811-2](#) [1766260-1](#) [1766282-1](#) [1766966-1](#) [1791340000](#) [NLDFT-3-BL-L-S120-M40A](#) [NLDFT-N-](#)  
[W-L-C240-M40B](#) [NLS-2-R-C240-M40B](#) [NLS-N-W-C240-M40B](#) [NPS-3-BL-T6](#) [1986615-1](#) [2-1589900-8](#) [2199314-1](#) [KA8102](#)