

4

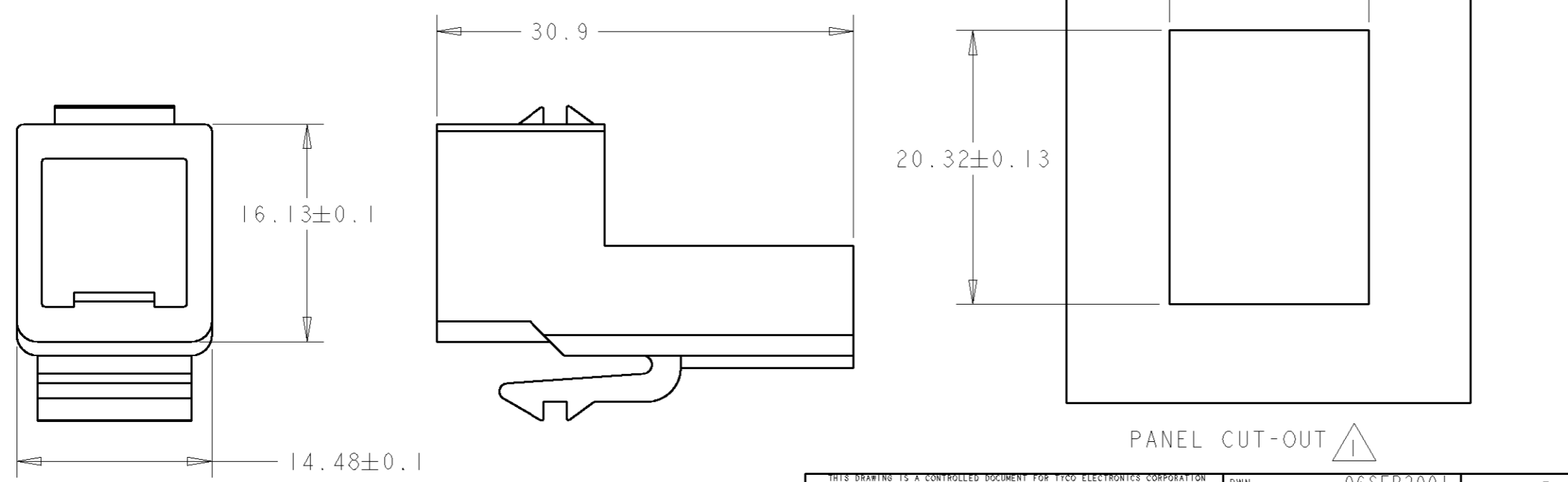
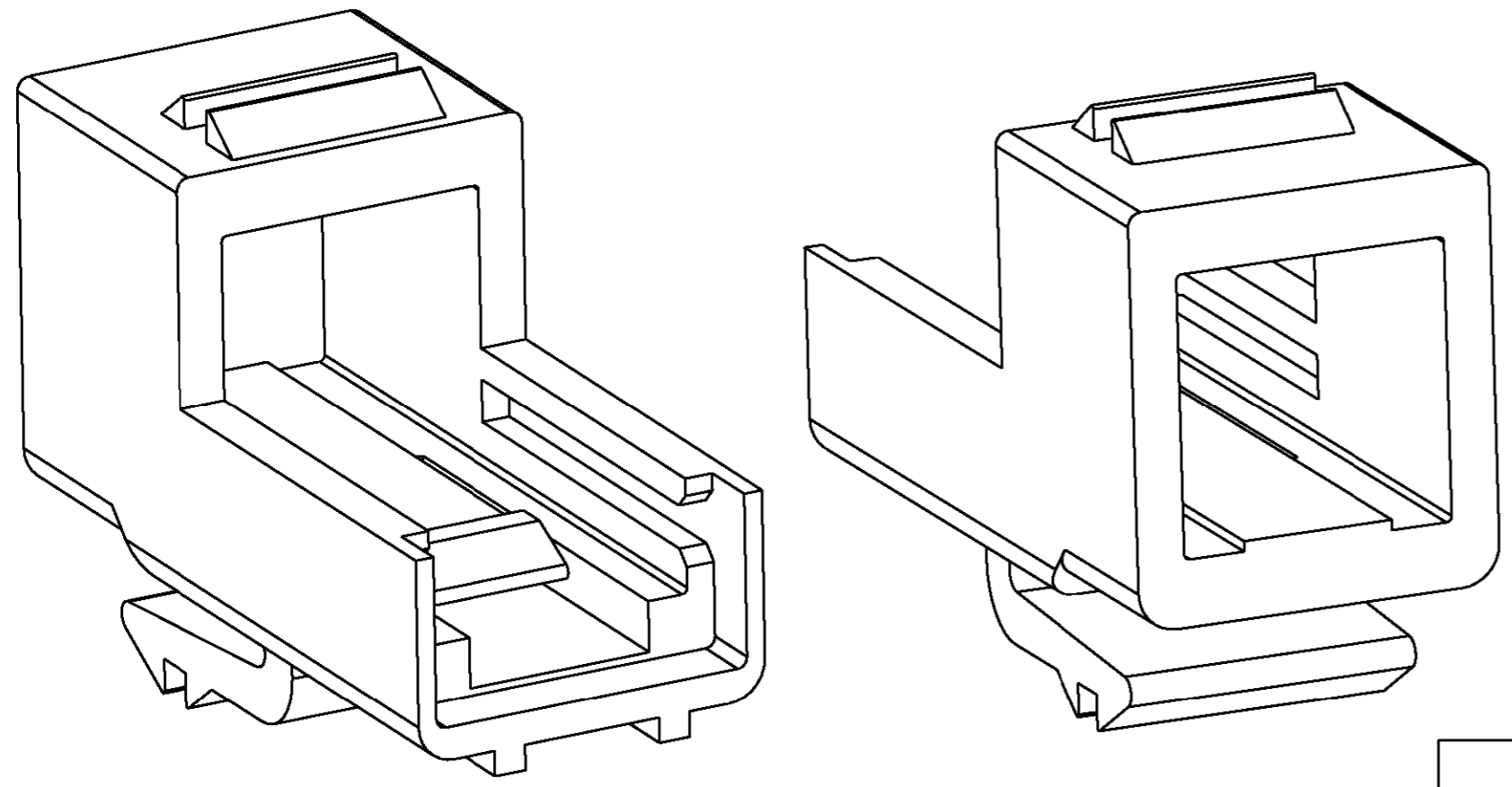
3

2

1

THIS DRAWING IS UNPUBLISHED. RELEASED FOR PUBLICATION 20
 © COPYRIGHT 20 BY TYCO ELECTRONICS CORPORATION. ALL RIGHTS RESERVED.

LOC	DIST	REVISIONS					
		P	LTR	DESCRIPTION	DATE	DWN	APVD
CE	00		O	RELEASE PER NPR 00-124	06SEP2001	BB	BE
			A	REVISE PER 0A00-0508-03	16OCT2003	BB	DR
			B	REVISE PER 0A00-0413-04	19AUG2004	BB	DK
			C	REVISE PER 0A00-0096-05	03MAR2005	BB	DK



SLATE	2-1374416-6
BROWN	2-1374416-5
AQUA	2-1374416-4
ROSE	2-1374416-3
ELECT. IVORY	1-1374416-1
VIOLET	1-1374416-0
GREEN	1374416-9
YELLOW	1374416-8
RED	1374416-7
BLUE	1374416-6
ORANGE	1374416-5
GRAY	1374416-4
WHITE	1374416-3
BLACK	1374416-2
ALMOND	1374416-1
COLOR	PART NUMBER

⚠ PANEL THICKNESS IS 1.65/1.50mm.
 2. BULK PACKAGE, 6 PCS.

THIS DRAWING IS A CONTROLLED DOCUMENT FOR TYCO ELECTRONICS CORPORATION
 IT IS SUBJECT TO CHANGE AND THE CONTROLLING ENGINEERING ORGANIZATION
 SHOULD BE CONTACTED FOR THE LATEST REVISION.

DIMENSIONS:	TOLERANCES UNLESS OTHERWISE SPECIFIED:
mm	
	0 PLC ±0.1
	1 PLC ±0.1
	2 PLC ±0.05
	3 PLC ±
	4 PLC ±
	ANGLES ±
	±
MATERIAL	FINISH
-	-

DWN	B. BRIGGS	06SEP2001
CHK	B. BRIGGS	06SEP2001
APVD	B. EDWARDS	06SEP2001
PRODUCT SPEC	-	-
APPLICATION SPEC	-	-
WEIGHT	-	-
CUSTOMER DRAWING		

tyco Tyco Electronics		Harrisburg, PA 17105-3608	
NAME CONNECTOR JACK HOUSING, 39mm, MT-RJ FIELD TERMINATION			
SIZE	CAGE CODE	DRAWING NO	RESTRICTED TO
A3	00779	©-1374416	-
SCALE 4:1		SHEET 1	OF 1
		REV	C

X-ON Electronics

Largest Supplier of Electrical and Electronic Components

Click to view similar products for [Fibre Optic Connectors](#) category:

Click to view products by [TE Connectivity](#) manufacturer:

Other Similar products are found below :

[0004700001](#) [6100-R](#) [6313](#) [F709034706](#) [F709722200](#) [F709730000](#) [F718183204](#) [F727403500](#) [F727752800](#) [8119](#) [9440F20-27S-190](#) [944-120-6001](#) [9441F10SL-3S](#) [9444W28-21S](#) [9444W36-10S](#) [9446F10SL-4S](#) [9446W20-16S](#) [953-101-5310-P](#) [954-101-57202B](#) [A0270169](#) [12-9122](#) [12-5702](#) [AX101713](#) [AX102420](#) [AX103923](#) [AX104024](#) [AX104193](#) [AX104230](#) [AX104562](#) [AX105203-B25](#) [AX105205-S1](#) [EHSC2M](#) [181-011-126](#) [181-011-S](#) [181-057-126](#) [HRFC-R2\(40\)](#) [NKSOPBUY](#) [20500002116](#) [2064996-1](#) [20800001065](#) [2170](#) [9132](#) [2612](#) [2620](#) [9291](#) [9440F16-10S](#) [9440F20-18S](#) [9446F16-10S-190](#) [953-106-50231](#) [953-120-5003](#)