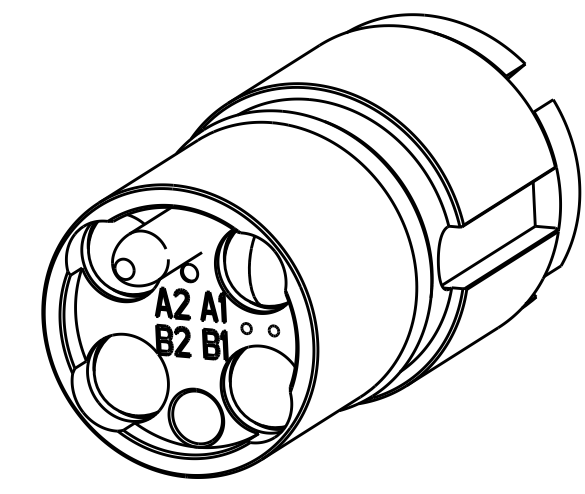


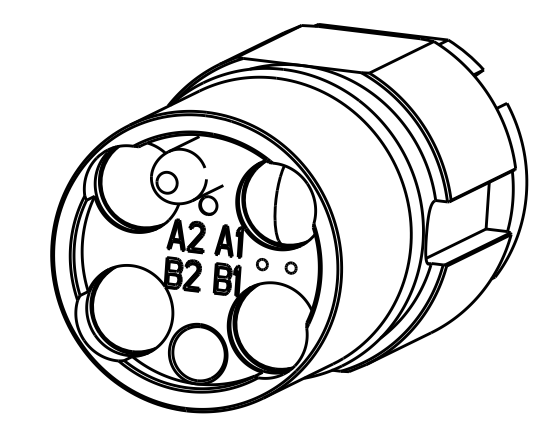
THIS DRAWING IS UNPUBLISHED. RELEASED FOR PUBLICATION 20
 © COPYRIGHT 20 BY - ALL RIGHTS RESERVED.

REVISIONS				
P	LTR	DESCRIPTION	DATE	APVD
D1		ECR-12-003450	22FEB2012	KG DW
D2		ECR-16-011101	04NOV2016	KG DW
E		ECR-17-017775	12DEC2017	KG DW
E1		CORRECTED STATUS ERROR	10JAN2018	KG DW

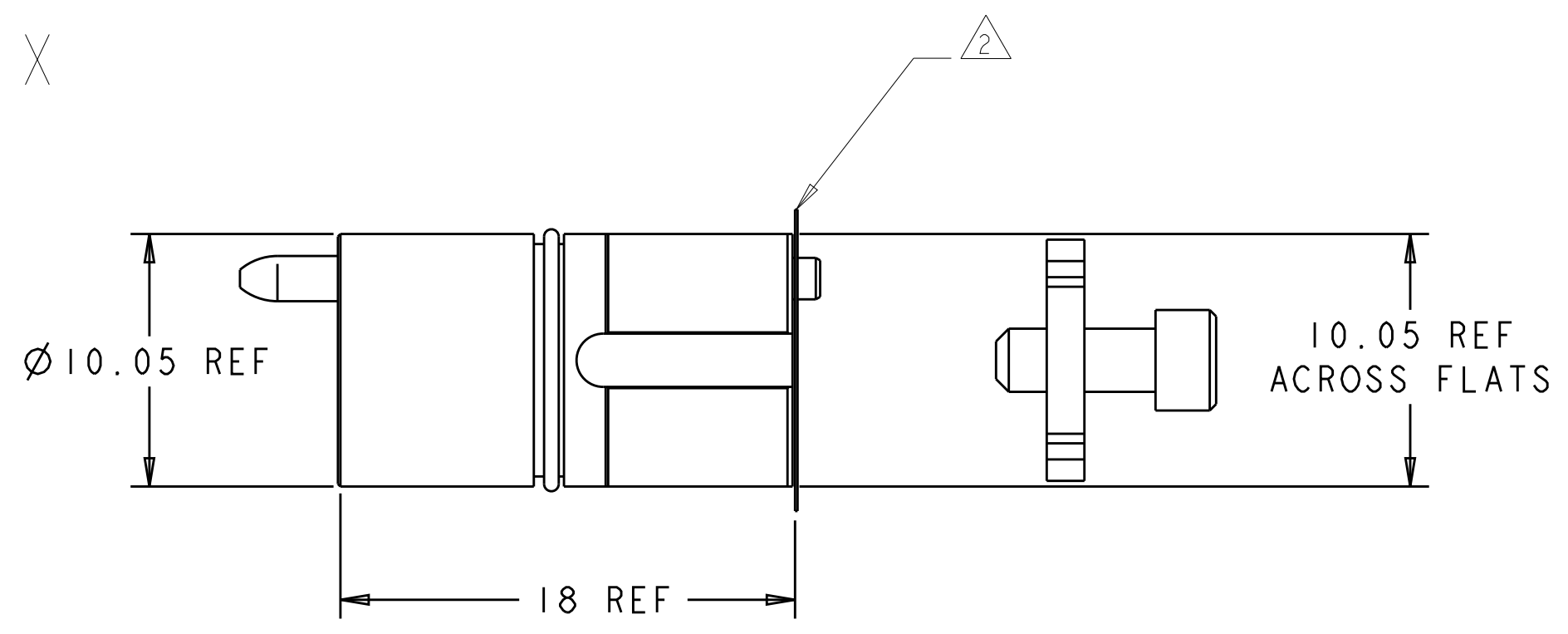
1. THIS PRODUCT HAS NOT COMPLETED VALIDATION TESTING.
2. PROTECTIVE LABEL APPLIED AFTER FINAL CLEAN ROOM TEST TO PREVENT OPTICAL CAVITY CONTAMINATION. REMOVE ONLY WHEN READY TO ASSEMBLE.
3. FOR USE WITH FERRULE ASSEMBLY KIT P/N 1754700-2 OR 1754699-1, ONE PER FIBER.
4. FOR USE WITH JACKETED CABLE FERRULE ASSEMBLY P/N 1754456-2, ONE PER FIBER.
5. MULTIMODE IDENTIFIER.



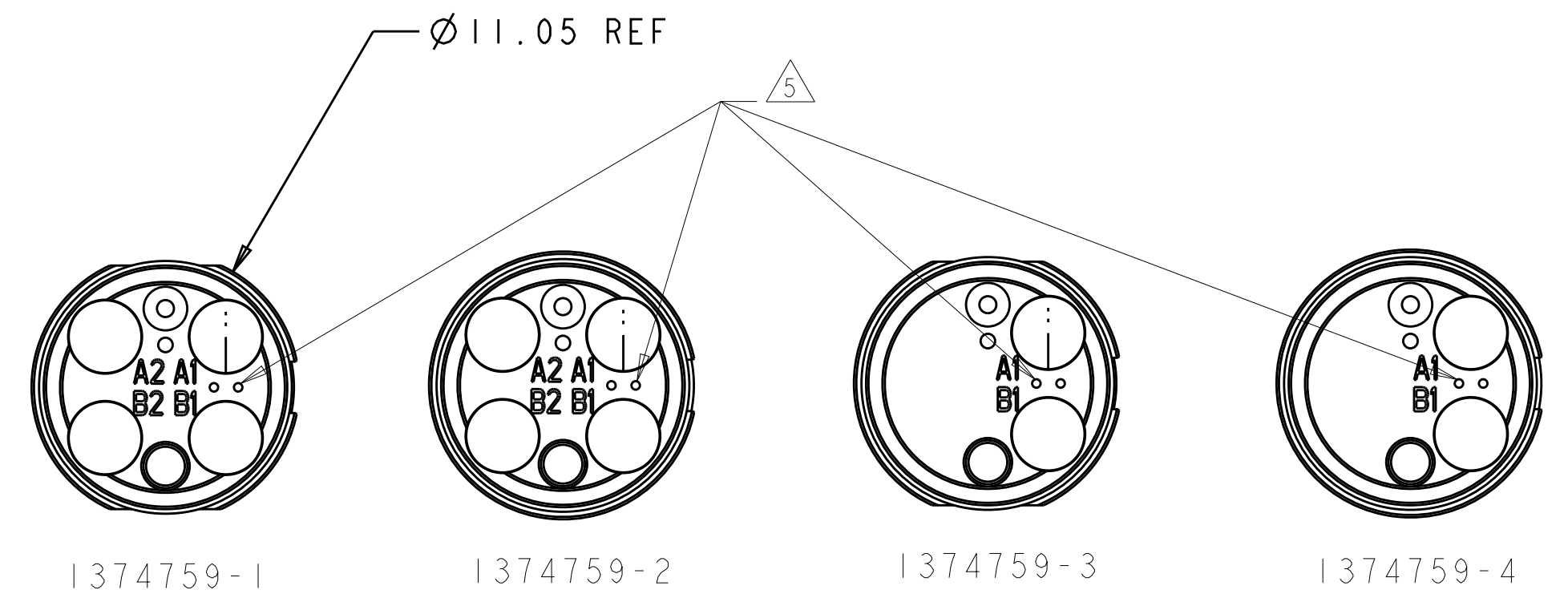
1374759-2



1374759-1



1374759-1



VIEW X - X

(SHOWN WITHOUT PROTECTIVE LABEL)

4	OBSOLETE	2 CHANNEL, 850/1300nm MM	1374759-8
4	OBSOLETE	2 CHANNEL, 850/1300nm MM, ARINC	1374759-7
4	OBSOLETE	4 CHANNEL, 850/1300nm MM	1374759-6
4	OBSOLETE	4 CHANNEL, 850/1300nm MM, ARINC	1374759-5
3		2 CHANNEL, 850/1300nm MM	1374759-4
3		2 CHANNEL, 850/1300nm MM, ARINC	1374759-3
3		4 CHANNEL, 850/1300nm MM	1374759-2
3		4 CHANNEL, 850/1300nm MM, ARINC	1374759-1
		DESCRIPTION	PART NUMBER

THIS DRAWING IS A CONTROLLED DOCUMENT.		DWN 19APR2004 K. GLATFELTER	STE TE Connectivity	
DIMENSIONS: mm		CHK 07JUN2004 D. WERTMAN		
TOLERANCES UNLESS OTHERWISE SPECIFIED:		APVD 07JUN2004 D. WERTMAN	NAME INSERT ASSEMBLY, MINI EB 850/1300nm, MM	
0 PLC ±		PRODUCT SPEC	SIZE CAGE CODE DRAWING NO RESTRICTED TO	
1 PLC ±		APPLICATION SPEC	A200779 C-1374759	
2 PLC ±		WEIGHT	SCALE 4:1 SHEET OF REV E1	
3 PLC ±		CUSTOMER DRAWING		
4 PLC ±				
ANGLES ±				
FINISH				
MATERIAL STAINLESS ALLOYS- & NBR				
N/A				

X-ON Electronics

Largest Supplier of Electrical and Electronic Components

Click to view similar products for [Fiber Optic Connectors](#) category:

Click to view products by [TE Connectivity](#) manufacturer:

Other Similar products are found below :

[0004700001](#) [6100-R](#) [6313](#) [F709034706](#) [F709722200](#) [F709730000](#) [F718183204](#) [F727403500](#) [F727752800](#) [FCXO-12-3BY](#) [FO-SCREW\(M2X6\)](#) [9440F20-27S-190](#) [944-120-6001](#) [944-125-6003](#) [9441F10SL-3P](#) [953-101-5310-P](#) [954-101-57202B](#) [A0270169](#) [12-9122](#) [12-5702](#) [143025NC](#) [DSAKB](#) [AX101713](#) [AX102420](#) [AX103923](#) [AX104193](#) [AX104230](#) [AX104562](#) [AX104683](#) [AX105203-B25](#) [AX105205-S1](#) [EHSC2M](#) [17-300800](#) [180-044NF06-11-2S](#) [180-044NF06-17-8P](#) [180-044NF07-11-2S](#) [181-011-126](#) [181-011-S](#) [181-057-126](#) [BT34IW](#) [HRFCP-HSCJ-1\(61\)](#) [HRFC-R2\(40\)](#) [NKSOPBUY](#) [20500002116](#) [2064996-1](#) [20800001065](#) [2170](#) [9132](#) [2612](#) [2620](#)