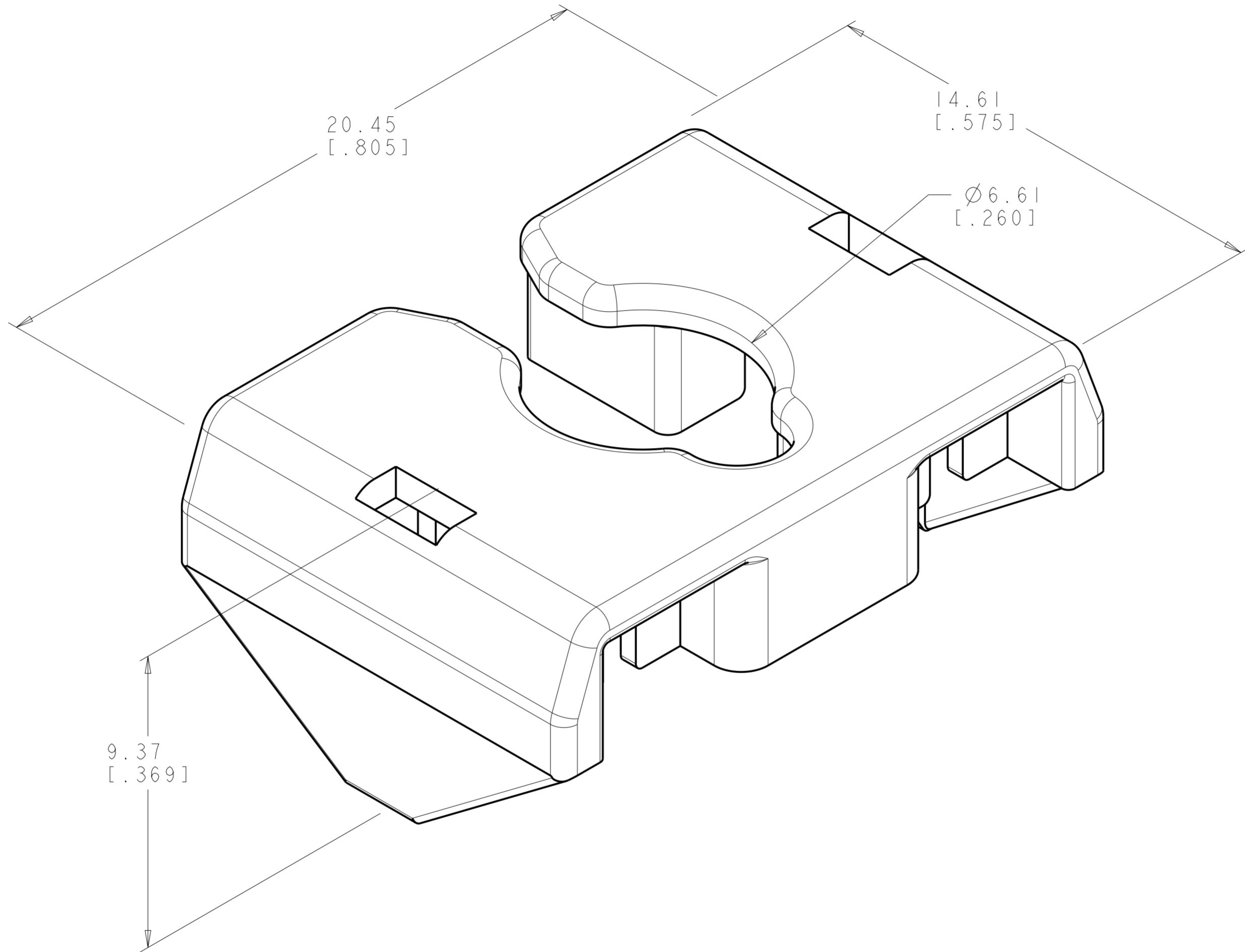


THIS DRAWING IS UNPUBLISHED. RELEASED FOR PUBLICATION
 © 2016 COMMScope, INC. CONFIDENTIAL NOTICE: THESE DRAWINGS AND SPECIFICATIONS ARE THE PROPRIETARY PROPERTY OF COMMScope, INC. AND MAY BE USED ONLY FOR THE SPECIFIC PURPOSE AUTHORIZED IN WRITING BY COMMScope, INC.

REVISIONS				
P	LTR	DESCRIPTION	DATE	APVD
0		RLSD PER EC 0B40-0252-01	30OCT2001	LS CD
A		REV PER BNS_CD_BRAND	09FEB2017	GG DC



- 1 MATERIAL - POLYCARBONATE, CLEAR.
- 2 DIMENSIONS ARE MAXIMUM UNLESS OTHERWISE NOTED.
- 3 PACKAGE 25 STRAIN RELIEFS PER POLYBAG.

3	1375157-1
PACKAGED	PART NO.

THIS DRAWING IS A CONTROLLED DOCUMENT.		DWN L SMITH 30OCT2001	COMMScope, INC.	
DIMENSIONS: MM [INCHES]		CHK L HALL 30OCT2001		
TOLERANCES UNLESS OTHERWISE SPECIFIED:		APVD C DOOLEY 30OCT2001	NAME STRAIN RELIEF	
0 PLC ±	± 2	PRODUCT SPEC	-	
1 PLC ±	±	APPLICATION SPEC	-	
2 PLC ±	±	WEIGHT	-	
3 PLC ±	±	CUSTOMER DRAWING	-	
4 PLC ±	±	SCALE 10.1	SHEET 1 OF 1	
ANGLES ±	±	RESTRICTED TO	-	
FINISH	1	REV A	-	

X-ON Electronics

Largest Supplier of Electrical and Electronic Components

Click to view similar products for [Wire Ducting & Raceways](#) category:

Click to view products by [TE Connectivity](#) manufacturer:

Other Similar products are found below :

[800A-LB](#) [801I-LSP](#) [802A-ECSP](#) [802I-ICSP](#) [923223-000](#) [PRAF6WH-X](#) [A0405538](#) [1301150342](#) [1301160034](#) [1301170070](#) [1301180011](#)
[1301230083](#) [1301230153](#) [1301240273](#) [1301250006](#) [1302261238](#) [1302261321](#) [1302262552](#) [1302263103](#) [1302263178](#) [1302263259](#)
[1302263816](#) [1302263860](#) [1302264375](#) [1302264390](#) [1301150343](#) [1301160030](#) [1301170050](#) [1301170051](#) [1301170061](#) [1301180013](#)
[1301230086](#) [1301230130](#) [1301240054](#) [1302260055](#) [1302260376](#) [1302261343](#) [1302261344](#) [1302262674](#) [1302263095](#) [1302263166](#)
[1302263209](#) [1302263513](#) [1302263851](#) [1302263870](#) [1302264137](#) [1302264218](#) [DD1/J](#) [AX102007](#) [AX102261](#)