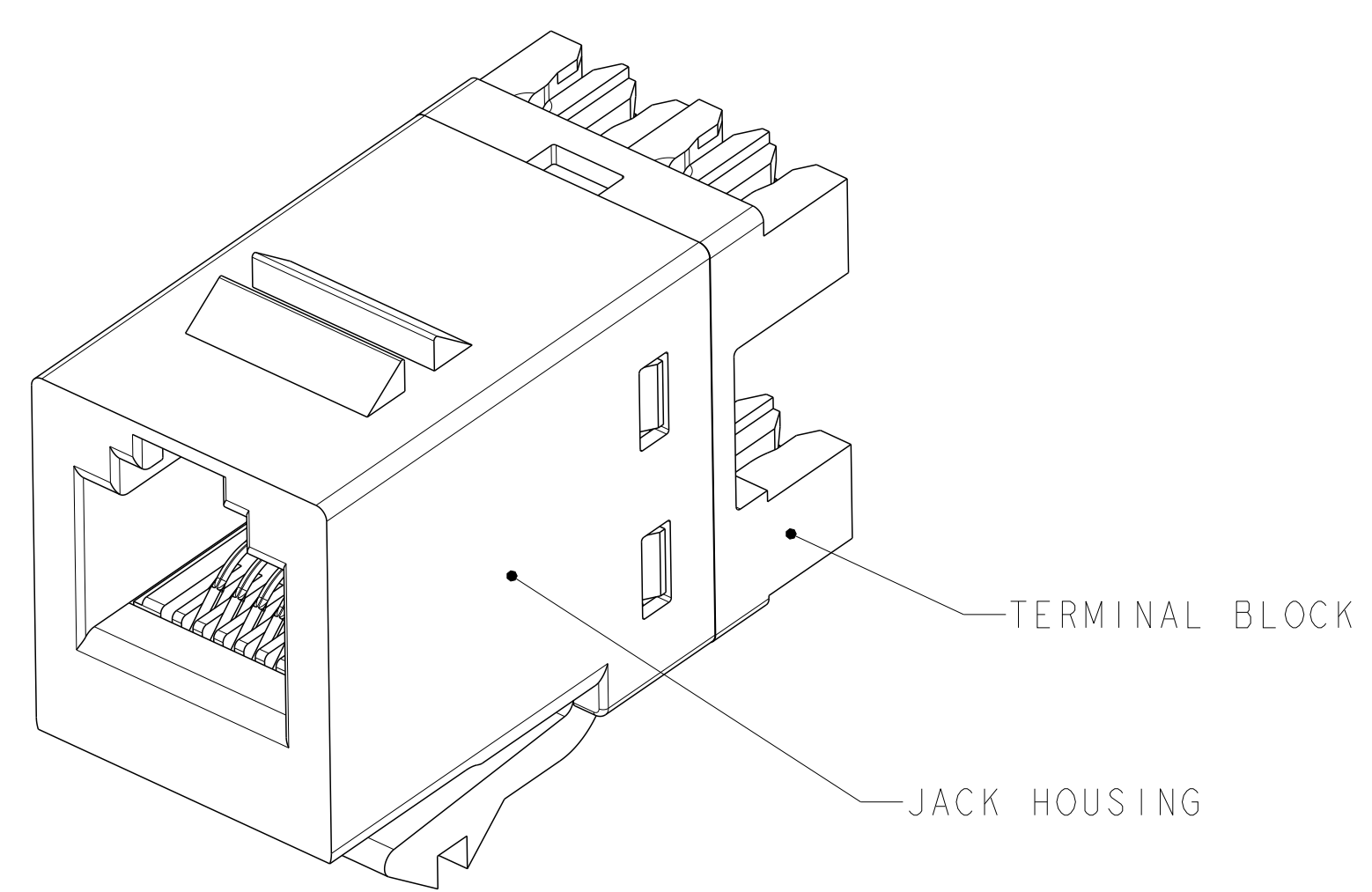
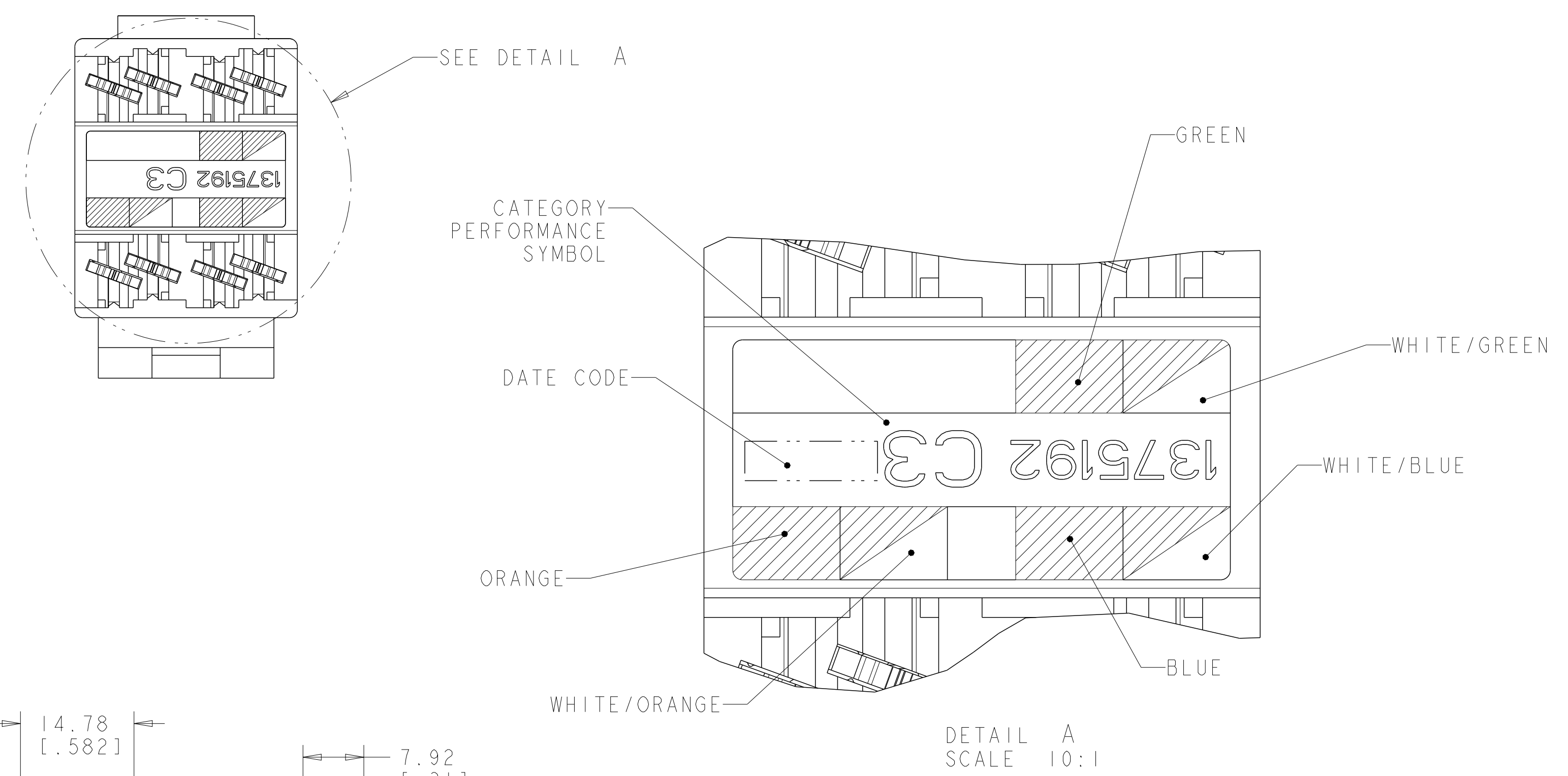
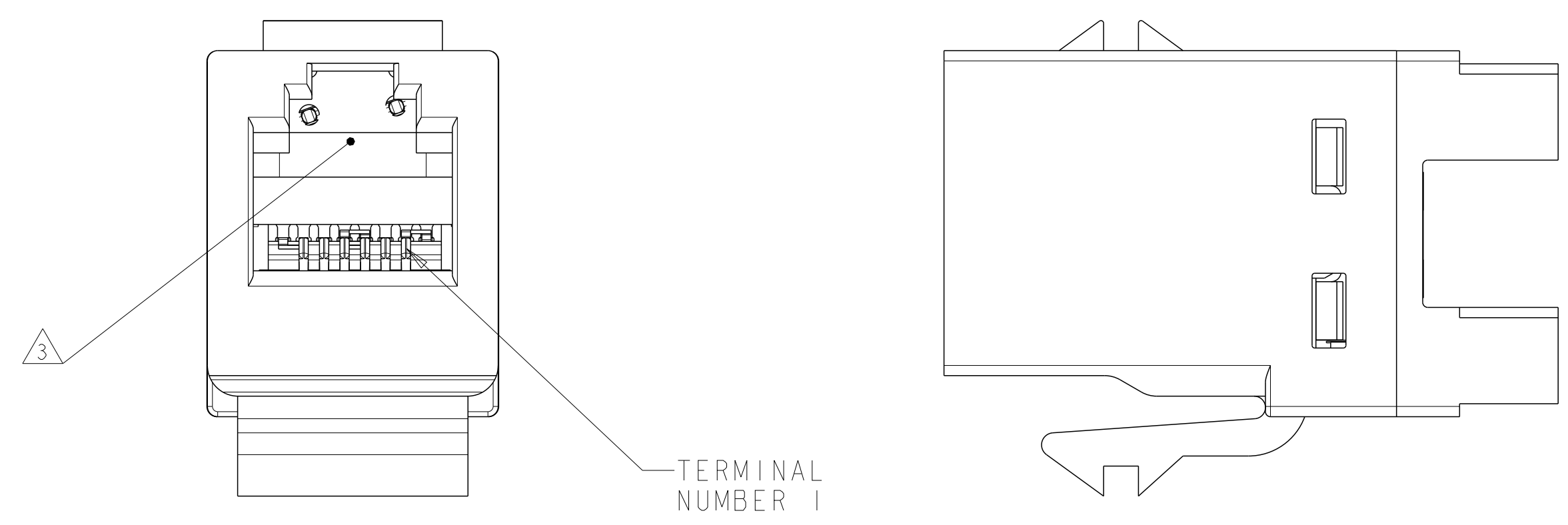


REVISIONS			
REV	DESCRIPTION	DATE	APPROVED
K	40096544CMO	21-AUG-2019	JH

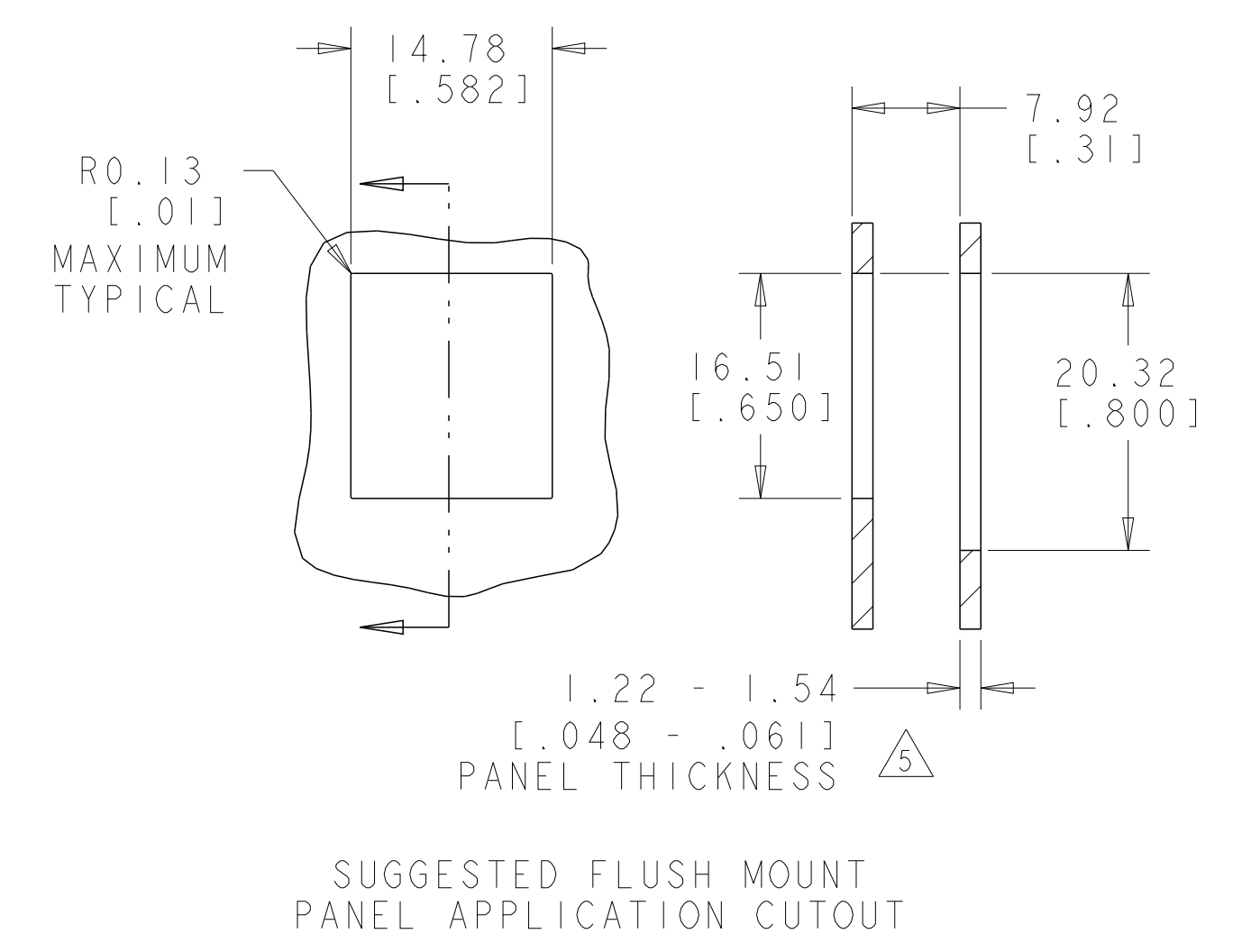
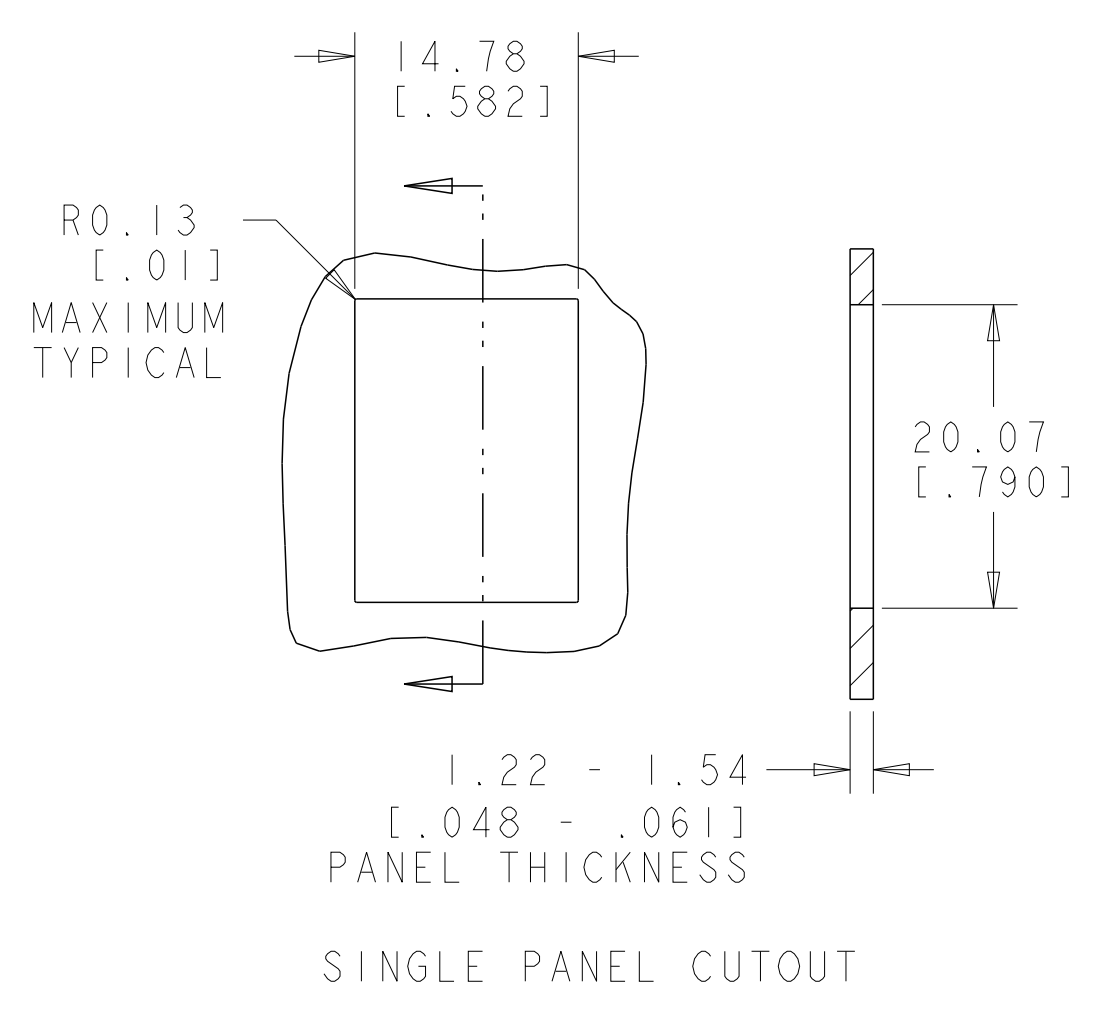


- 1 MATERIAL: JACK HOUSING - POLYCARBONATE, 94V-0 RATED.
110 BLOCK - POLYCARBONATE.
ARRAY TRAY - PBT POLYESTER.
JACK CONTACTS ARRAY - BERYLLIUM COPPER, PLATED WITH 1.27µm [.000050] MINIMUM THICK GOLD IN LOCALIZED AREA AND 3.81µm [.000150] MINIMUM THICK MATTE TIN IN BOARD INTERFACE AREA OVER 1.27µm [.000050] MINIMUM THICK NICKEL UNDERPLATE.
IDC TERMINALS - PHOSPHOROUS BRONZE, PLATED WITH 3.81µm [.00015] MINIMUM THICK MATTE TIN OVER 1.27µm [.00005] MINIMUM THICK NICKEL UNDERPLATE.
- 2. SL 110 JACK WILL TERMINATE 22-24 AWG SOLID AND 24-26 AWG STRANDED CONDUCTORS, 1.27(.050) MAXIMUM INSULATION DIAMETER.
- 3 CAVITY CONFORMS TO FCC RULES AND REGULATIONS PART 68 SUBPART F REQUIREMENTS.
- 4. MOUNTING PANEL THICKNESS 1.47 - 1.60 [.058 - .063].
- 5 THESE TWO SUGGESTED CUTOUT OPENINGS ARE USED IN TANDEM WITH DUAL FRONT AND BACK CUTOUTS.
- 6 ONE MODULAR JACK ASSEMBLY PER POLYBAG.
- 7 REFER TO 408-8858 FOR TERMINATION INSTRUCTIONS USING SL SERIES TOOL TERMINATION. REFER TO 408-8602 FOR TERMINATION INSTRUCTIONS USING 110 PUNCH DOWN TOOL.



COLOR CODE	110 BLOCK	MODULAR JACK
WHITE/BLUE		4
BLUE		3
WHITE/ORANGE		2
ORANGE		5
WHITE/GREEN		1
GREEN		6
WHITE/BROWN		
BROWN		

ELECTRICAL SCHEMATIC (USOC)



108-131001	7	1	6	ALPINE WHITE	1-1375192-3
				BLACK	1375192-2
				LIGHT ALMOND	1375192-1
PRODUCT SPEC	APPLICATION SPEC	MATERIAL	PACKAGE	HOUSING COLOR	PART NUMBER

COMMSCOPE, INC.					
UNITS	mm [INCHES]	DRAFTER	TITLE	SIZE	SCALE
TOLERANCE	VALUE	T. PITTS	ASSEMBLY, SL 110 JACK, CATEGORY 3	A	4:1
0 PLC	-	ENGINEER	C. DOOLEY	DOCUMENT NO.	1375192
1 PLC	-				
2 PLC	-				
3 PLC	-				
4 PLC	-				
ANGLE TOL	-				
SURFACE TOL	-				
CUSTOMER DRAWING				REVISION	SHEET
				K	1 OF 1

X-ON Electronics

Largest Supplier of Electrical and Electronic Components

Click to view similar products for [Modular Connectors / Ethernet Connectors](#) category:

Click to view products by [TE Connectivity](#) manufacturer:

Other Similar products are found below :

[8949-H88/06BLKA/SN](#) [74441-0010/BKN](#) [MP1010RX-1000](#) [MP44RX-1000](#) [PHJ-4P4C-1-V-4](#) [PHP-6P6C-5](#) [GAX-3-66](#) [GAX-8-62](#) [GDCX-PA-66-50](#) [GDCX-PN-64](#) [GDCX-PN-66](#) [GDCX-PN-66-50](#) [GDLX-A-66](#) [GDLX-N-66](#) [GDLX-S-66](#) [GDLX-S-88K](#) [GDTX-S-88-50](#) [GDX-PA-1010](#) [GLX-N-1010M-BLK](#) [GLX-S-88M-BLK](#) [GMX-N-1010](#) [GMX-S-1010](#) [GMX-S-66](#) [GMX-SMT4-N-88](#) [GPX-2-64](#) [GSGX-N-2-88](#) [GSGX-N-4-88](#) [GSX-NS2-88-3.05](#) [GSX-NS2-88-3.05-50](#) [GSX-NS-88-3.05-50](#) [PT-108A-8C-UL](#) [PT-J951-8C](#) [PTS-J531-8CS-50UL](#) [1-1775629-2](#) [A-2014-0-4](#) [GWLX-S-88-GR](#) [GWLX-S9-88-YG](#) [DC-1021-8-WH-6](#) [1300530003](#) [1324640-4](#) [RJ11FTVC2G](#) [RJ11FTVC2N](#) [RJFTVX2SA1G](#) [132764-001](#) [1413235](#) [MP88X-1000](#) [MPS88RX-5000](#) [E5288-S000K3-L](#) [E5908-15A242-L](#) [155302-001](#)