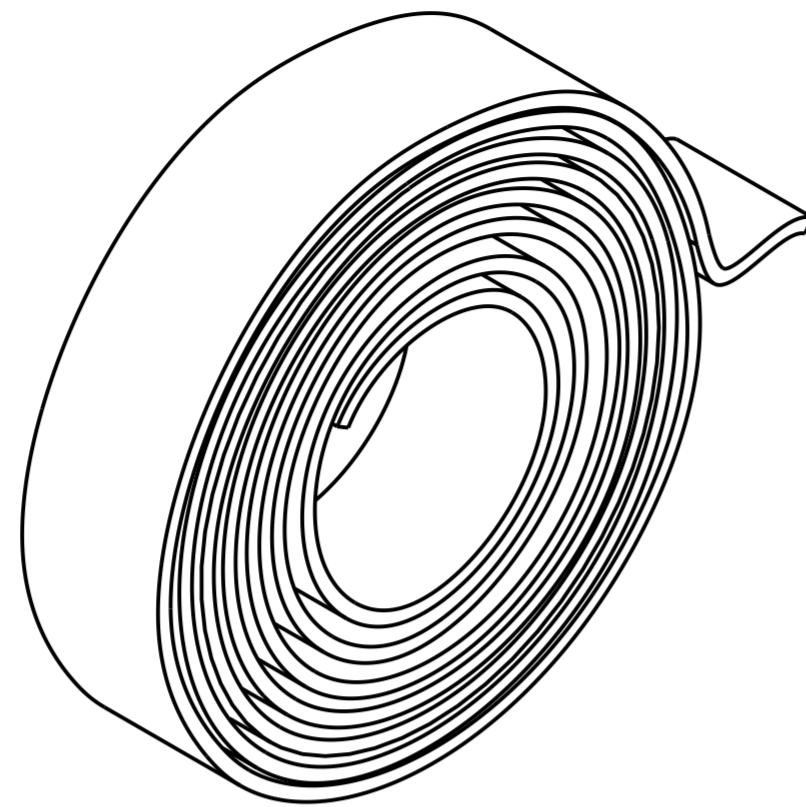


THIS DRAWING IS UNPUBLISHED. RELEASED FOR PUBLICATION  
 © 2016 COMMSCOPE, INC. CONFIDENTIAL NOTICE: THESE DRAWINGS AND SPECIFICATIONS ARE THE PROPRIETARY PROPERTY OF COMMSCOPE, INC. AND MAY BE USED ONLY FOR THE SPECIFIC PURPOSE AUTHORIZED IN WRITING BY COMMSCOPE, INC.

REVISIONS				
P	LTR	DESCRIPTION	DATE	APVD
B		REV; ECO-12-015755	17SEP2012	GG SH
C		REV; ECO-15-006158	14APR2015	GG SH
D		REV PER BNS_CD_BRAND	07FEB2017	GG DC



PERFORATED ROLL

- 1 EACH PART NUMBER INCLUDES 10 INDIVIDUAL UNITS AS SHOWN IN FIGURE A.
- 2 MATERIAL: HOOK AND LOOP NYLON, SEE TABLE FOR COLORS.
- 3 DIMENSIONS FOR REFERENCE ONLY.

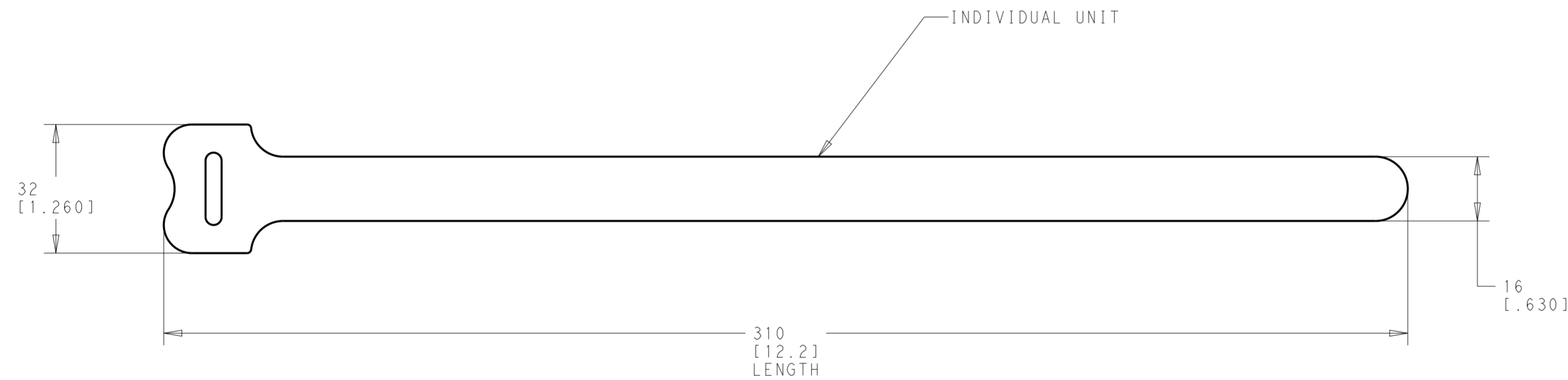


FIGURE A

BLACK	1 1375254-2
COLOR	PART NUMBER

THIS DRAWING IS A CONTROLLED DOCUMENT.		DWN L HALL 20OCT00	<b>COMMSCOPE, INC.</b>		
DIMENSIONS: MM [INCHES]		CHK L SMITH 20OCT00			
TOLERANCES UNLESS OTHERWISE SPECIFIED:		APVD S HERNDON 20OCT00			
0 PLC ±	1 PLC ±	2 PLC ±	3 PLC ±	4 PLC ±	NAME HOOK AND LOOP CABLE TIE, 1 INCH X 12 INCH
MATERIAL 2 -		FINISH -		PRODUCT SPEC -	APPLICATION SPEC -
WEIGHT -		SIZE A2	CAGE CODE G-1375254	DRAWING NO -	RESTRICTED TO -
Customer Drawing		SCALE 1:1	SHEET 1 OF 1	REV D	

## X-ON Electronics

Largest Supplier of Electrical and Electronic Components

*Click to view similar products for [Cable Ties](#) category:*

*Click to view products by [TE Connectivity](#) manufacturer:*

Other Similar products are found below :

[65034-C](#) [65037-C](#) [770-1751-10](#) [REL50L0C2](#) [20093-0](#) [SF600-120X](#) [SJ3518FR-1x50](#) [SJ3526N-Beige-2"x50yd](#) [SJ3526N BLACK 58" X 50YD](#) [SJ3571](#) [SJ-3571-1"x50yd-Black](#) [PLT2S-C4](#) [34-455-C](#) [3722](#) [561-B110120](#) [561-N3510](#) [TYZ528M](#) [34-463-C](#) [URT20S-M](#) [06226](#) [08350-0](#) [08600-0](#) [08376-0](#) [10325-0](#) [10362-0](#) [10606-0](#) [561-EZ250](#) [561-EZ625](#) [SJ3527N-Beige-2"x50yd](#) [SJ3527N-LOOP-BLACK-1](#) [SJ3572-2"x50yd-Black](#) [CF5625-000](#) [65004-C](#) [65005-C](#) [65007-C](#) [65036-C](#) [157-00039](#) [770-1708](#) [770-1753-10](#) [770-1752](#) [SPNY-041-9](#) [SF400-120X](#) [3719](#) [08582-0](#) [08386-0](#) [10431-0](#) [08359-0](#) [10620-0](#) [10345-0](#) [08416-0](#)