

4

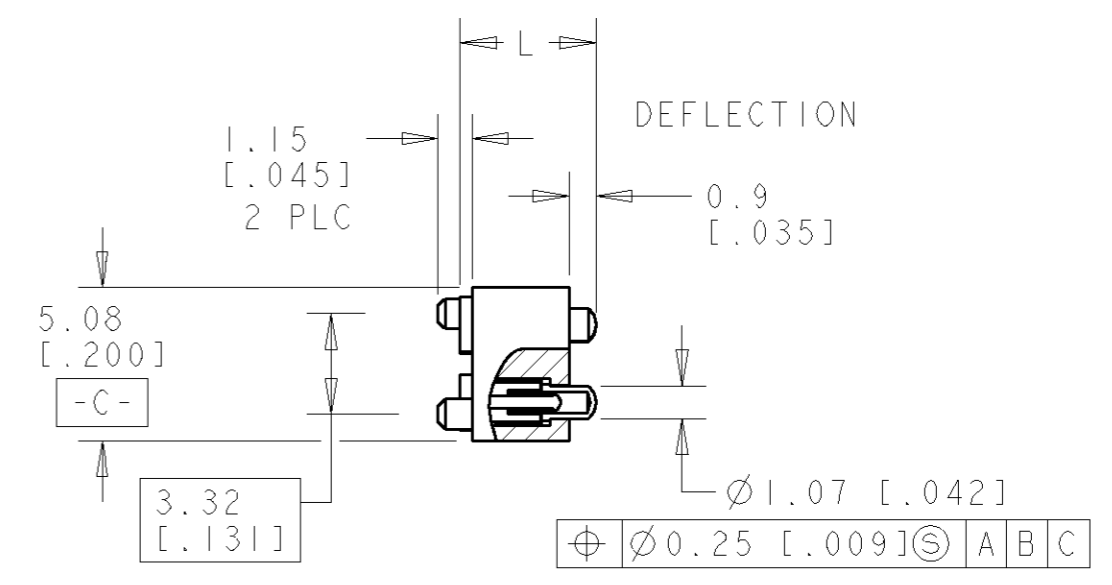
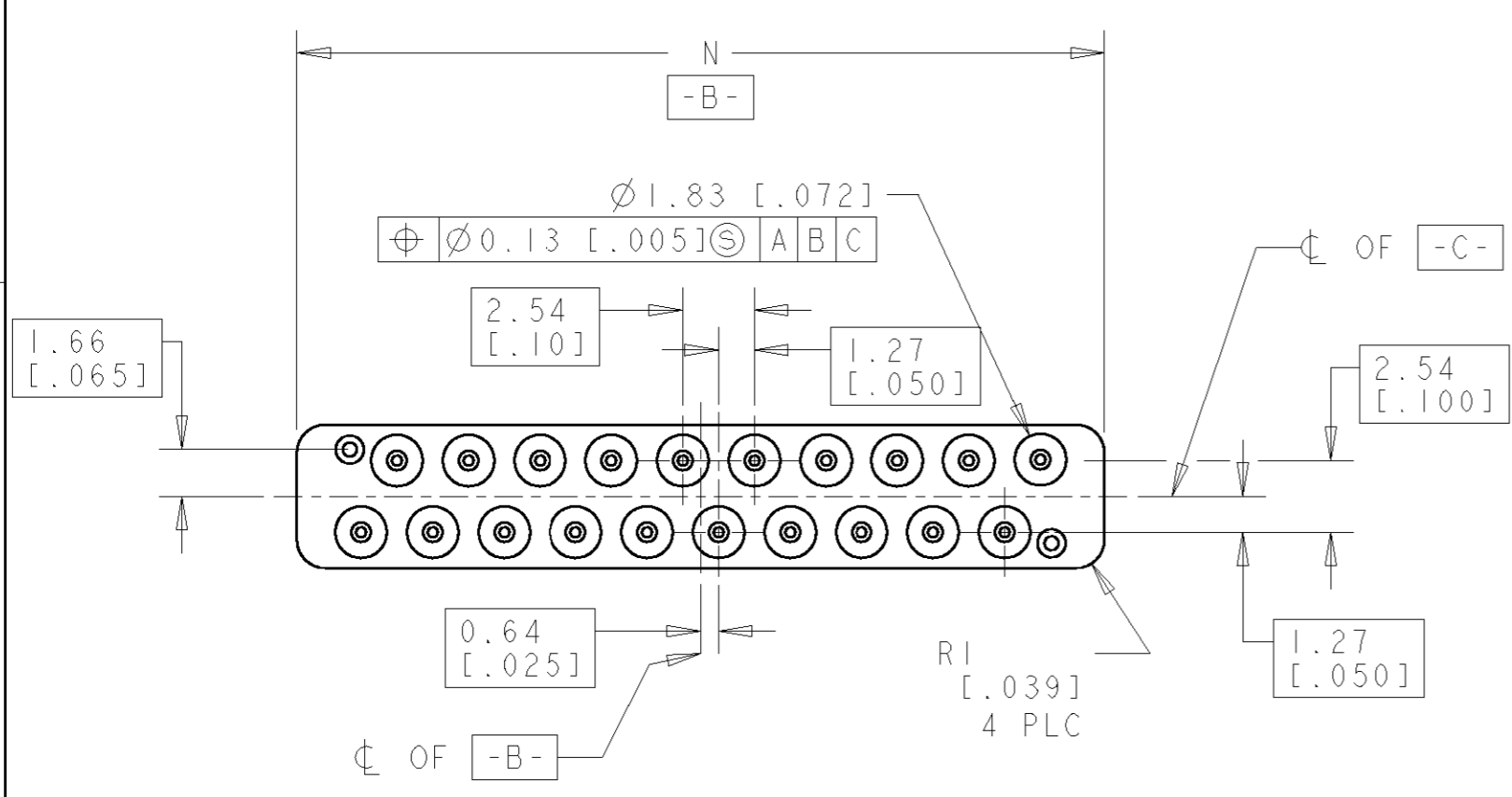
3

2

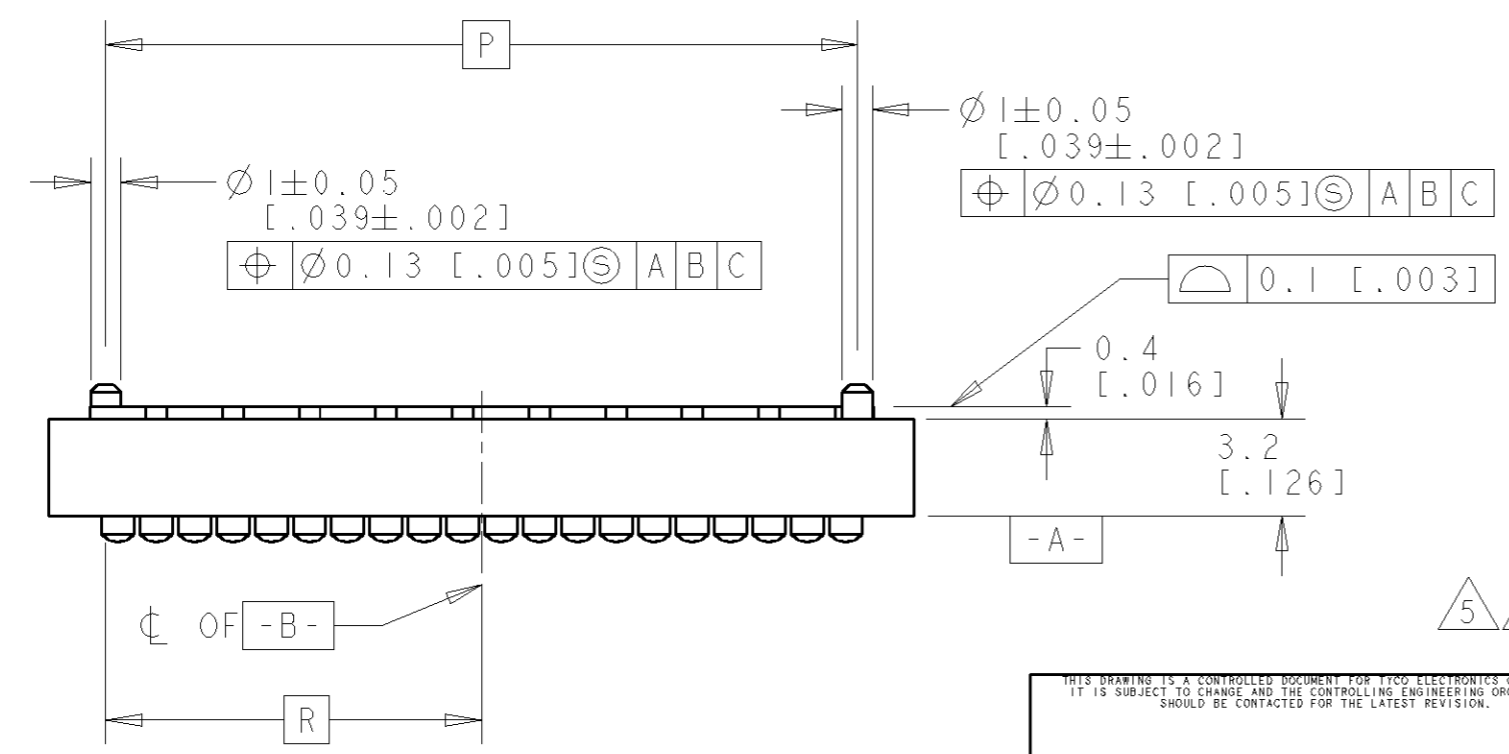
1

THIS DRAWING IS UNPUBLISHED. RELEASED FOR PUBLICATION
 © COPYRIGHT 19 BY TYCO ELECTRONICS CORPORATION. ALL RIGHTS RESERVED.

LOC	DIST	REVISIONS					
		P	LTR	DESCRIPTION	DATE	DWN	APVD
AD	00		0	RELEASED PER PG3C-0120-01	26MAR2001	RB	KW
			A	REV PER EC 0G3C-133-02	17OCT2002	MB	KW
			B	REV PER 0G3C-0768-04	30NOV04	RB	KW



DEFLECTION STATE	L ± 0.1	NORMAL FORCE
MINIMUM	4.3	0.44 ± 0.15N
NOMINAL	4.02	0.64 ± 0.15N
MAXIMUM	3.70	0.88 ± 0.15N



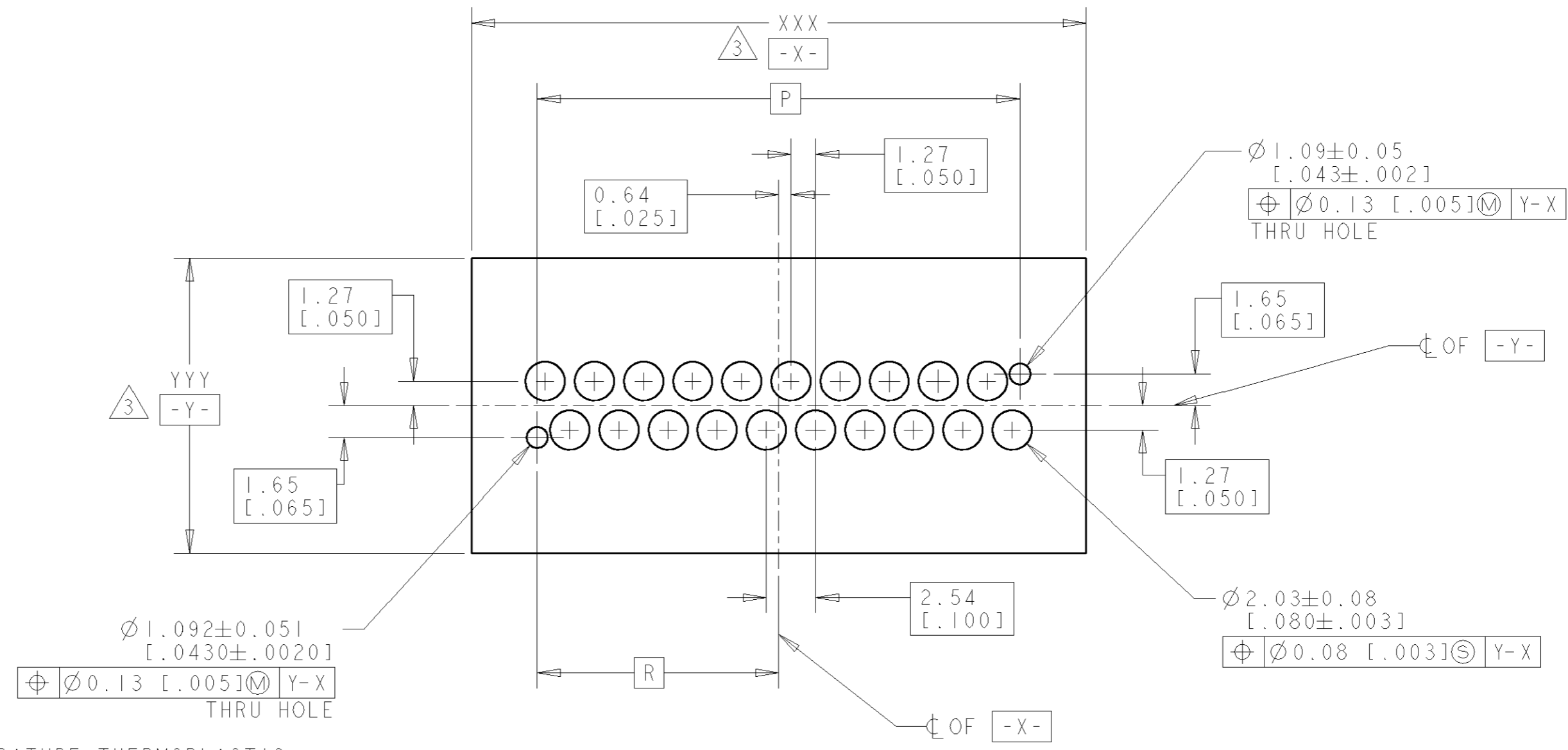
PART NUMBER	POSN	N	P	R
1375737-1	12	18.51	14.76	7.38
1375737-2	16	23.59	19.84	9.92
1375737-3	20	28.67	24.92	12.46
1375737-4	24	33.75	30.00	15.00
3-1375737-1	12	18.51	14.76	7.38

THIS DRAWING IS A CONTROLLED DOCUMENT FOR TYCO ELECTRONICS CORPORATION. IT IS SUBJECT TO CHANGE AND THE CONTROLLING ENGINEERING ORGANIZATION SHOULD BE CONTACTED FOR THE LATEST REVISION.

DIMENSIONS: mm [INCHES]	TOLERANCES UNLESS OTHERWISE SPECIFIED: 0 PLC ±0.13 1 PLC ±0.13 2 PLC ±0.13 3 PLC ±0.13 4 PLC ±0.13 ANGLES ±	DWN L. CASTAGNA 08FEB00 CHK G. GRIFFITH 19JUN00 APVD G. GRIFFITH 19JUN00	AMP Incorporated Harrisburg, PA 17105-3608
MATERIAL -	FINISH -	PRODUCT SPEC - APPLICATION SPEC - WEIGHT -	
MATERIAL - FINISH -		CUSTOMER DRAWING	SIZE A3 CAGE CODE 00779 C=1375737 DRAWING NO 1375737 RESTRICTED TO -
		SCALE 1:1	SHEET 1 OF 2 REV B

THIS DRAWING IS UNPUBLISHED. RELEASED FOR PUBLICATION
 © COPYRIGHT 19 BY TYCO ELECTRONICS CORPORATION. ALL RIGHTS RESERVED.

LOC	DIST	REVISIONS			
P	LTR	DESCRIPTION	DATE	DWN	APVD
AD	00	-	-	-	-
		SEE SHEET 1			



RECOMMENDED PC BOARD LAYOUT

1 MATERIAL:
 HOUSING - HIGH TEMPERATURE THERMOPLASTIC,
 30% GLASS FILLED,
 FLAME RETARDED UL 94 V-0,
 COLOR: BLACK.
 CONTACTS - SCREW MACHINED BRASS.

2 FINISH:
 CONTACT PISTON AND CONTACT BODY -
 0.0005 [.000020] MIN GOLD OVER 0.0025 [.000100] NICKEL.
 SPRING - FLASH 0.0001 [.000004] GOLD.

3 DIMENSIONS ESTABLISHED BY CUSTOMER.

4 PRELIMINARY PART - NOT RELEASED FOR PRODUCTION.

5 PART PACKAGED ON TAPE/REEL.

<small>THIS DRAWING IS A CONTROLLED DOCUMENT FOR TYCO ELECTRONICS CORPORATION IT IS SUBJECT TO CHANGE AND THE CONTROLLING ENGINEERING ORGANIZATION SHOULD BE CONTACTED FOR THE LATEST REVISION.</small>		DWN L. CASTAGNA 08FEB00 CHR G. GRIFFITH 19JUN00 APVD G. GRIFFITH 19JUN00		AMP AMP Incorporated Harrisburg, PA 17105-3608	
DIMENSIONS: mm [INCHES]		TOLERANCES UNLESS OTHERWISE SPECIFIED:		NAME LOW PROFILE PROBE CONNECTOR SPRING CONTACT, SURFACE MOUNT	
		0 PLC ±0.13 1 PLC ±0.13 2 PLC ±0.13 3 PLC ±0.13 4 PLC ±0.13 ANGLES ±		PRODUCT SPEC - APPLICATION SPEC -	
MATERIAL -		FINISH -		WEIGHT -	
CUSTOMER DRAWING		SIZE A3 CAGE CODE 00779 DRAWING NO. C-1375737		RESTRICTED TO -	
SCALE 1:1		SHEET 2 OF 2		REV B	

X-ON Electronics

Largest Supplier of Electrical and Electronic Components

Click to view similar products for IC & Component Sockets category:

Click to view products by TE Connectivity manufacturer:

Other Similar products are found below :

[714-43-102-31-012000](#) [0066-3-17-15-30-14-02-0](#) [0134-0-15-15-32-27-04-0](#) [614-DG5](#) [6527-0-00-15-00-00-03-0](#) [670](#) [672](#) [673](#) [712-93-120-41-001000](#) [714-93-104-31-018000](#) [8059-4G1-LF](#) [807-22-001-10-001101](#) [807-22-001-10-003101](#) [807-22-001-10-004101](#) [807-22-001-10-006101](#) [807-22-001-30-011101](#) [807-22-001-30-012101](#) [807-22-001-30-013101](#) [807-22-001-30-014101](#) [8-1437531-4](#) [8150-6P10](#) [833-93-034-10-001000](#) [835-43-014-10-001000](#) [851-41-006-10-001000](#) [851-43-008-20-001000](#) [851-43-014-20-001000](#) [851-93-006-20-001000](#) [851-93-010-20-001000](#) [853-43-020-10-001000](#) [86.010.0053.0](#) [116-43-306-41-003000](#) [116-43-308-41-007000](#) [116-87-308-41-007101](#) [PX-68LCC](#) [PX-84LCC](#) [121-13-318-41-001000](#) [121-13-320-41-001000](#) [121-13-308-41-001000](#) [123-43-314-41-801000](#) [123-43-420-41-001000](#) [123-43-636-41-001000](#) [123-87-320-41-001101](#) [122-13-316-41-001000](#) [123-13-624-41-001000](#) [123-43-306-41-001000](#) [123-43-322-41-801000](#) [123-43-428-41-001000](#) [123-43-624-41-001000](#) [12-3513-11](#) [123-91-320-41-001000](#)