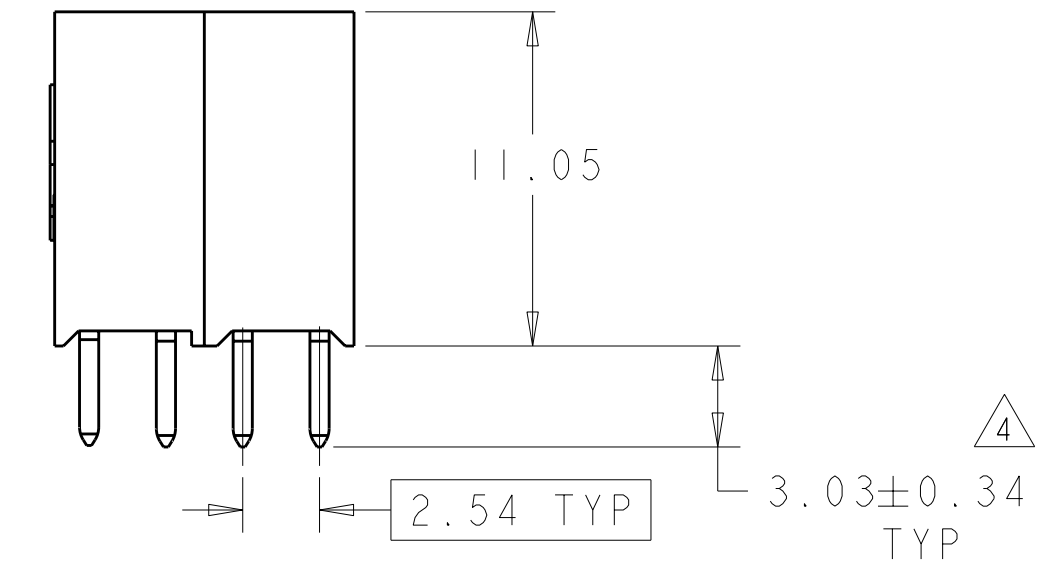
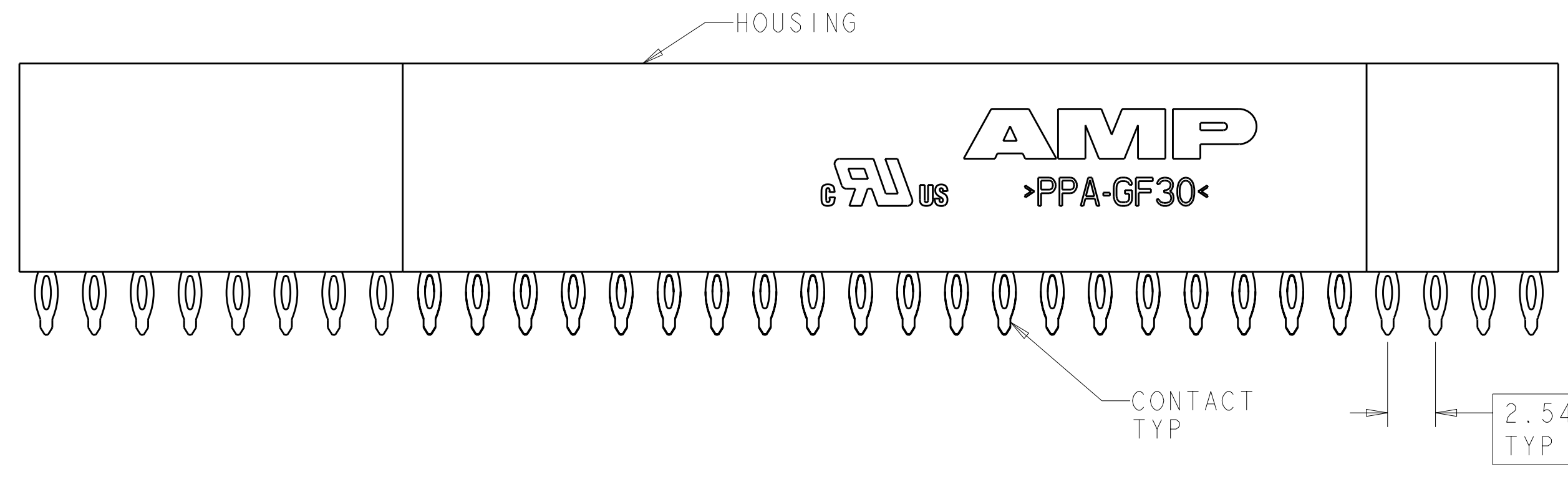
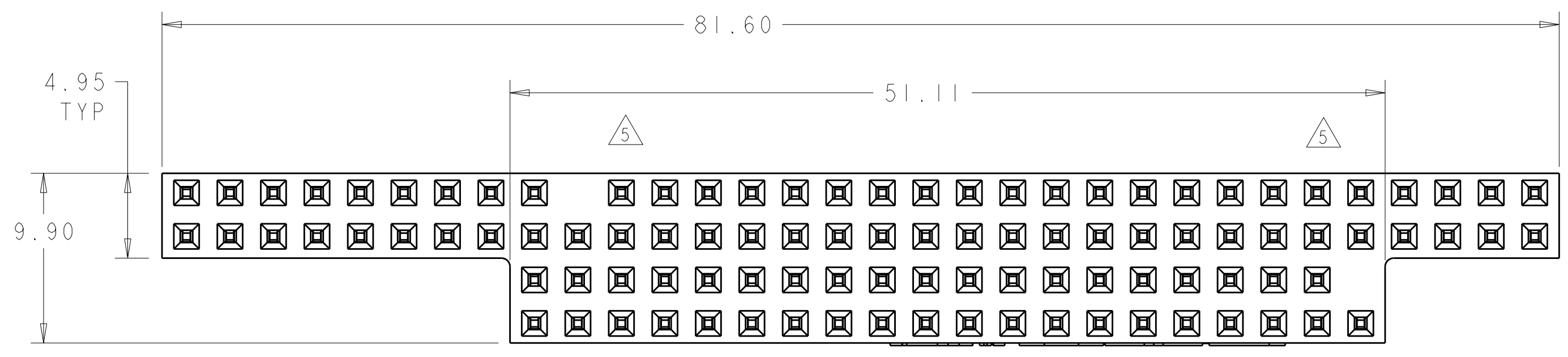
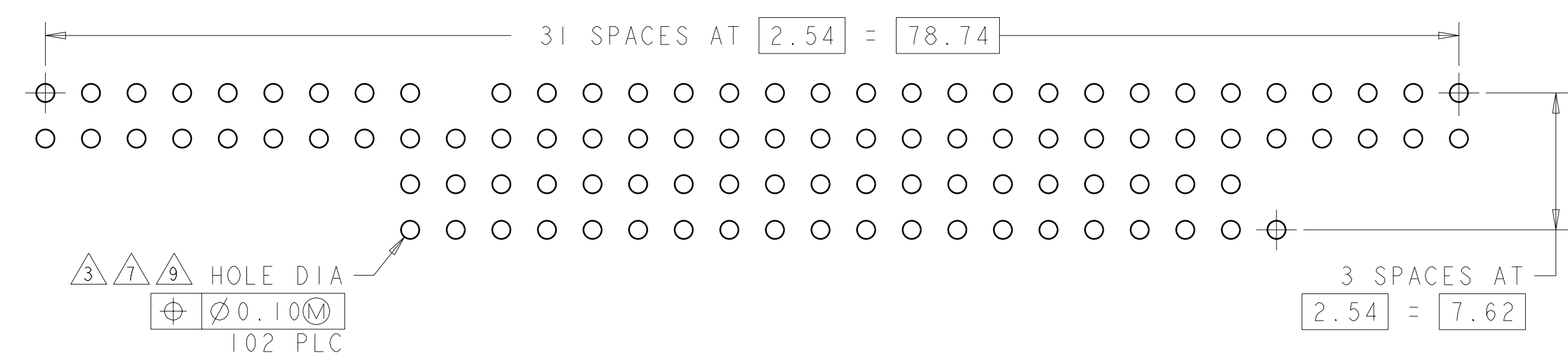


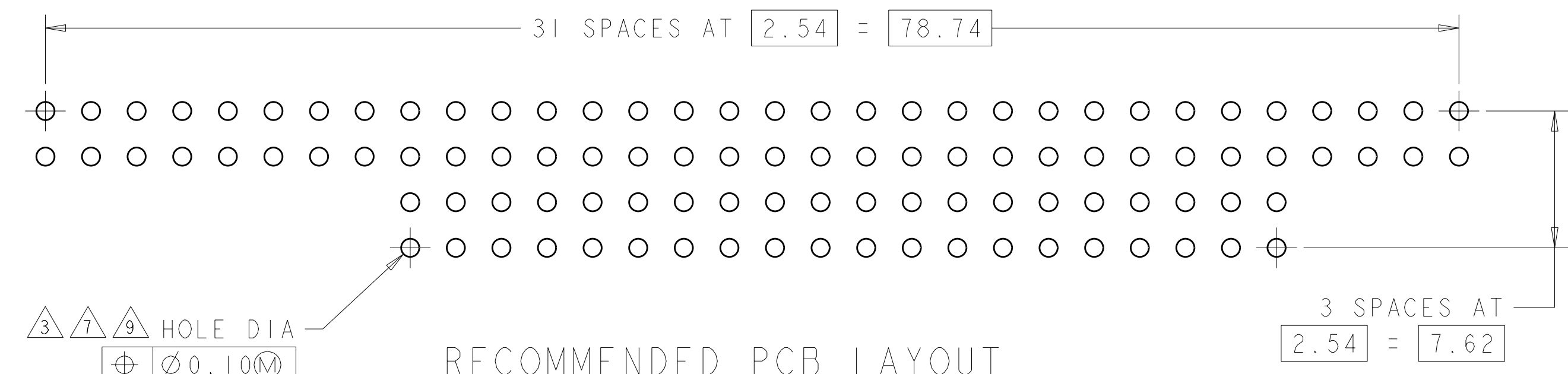
LOC	DIST	REV	DATE	BY	CHKD	APVD
AD	00	E1	24MAR2011	RK	HMR	



- △ HOUSING: HIGH TEMPERATURE, GLASS FILLED NYLON, COLOR: BLACK.  
CONTACTS: PHOSPHOR BRONZE.
- △ CONTACTS: 0.00038 MIN GOLD ON MATING RECEPTACLE END, 0.00254 BRIGHT TIN-LEAD ON REMAINDER, ALL OVER 0.00127 NICKEL.
- △ PCB HOLE RECOMMENDATIONS:  
A. DRILL HOLE DIAMETER TO BE 1.15±0.02.  
B. PLATING TO BE 0.005 MIN TIN-LEAD OVER 0.025-0.075 COPPER.  
C. RECOMMENDED FINISH HOLE SIZE IS 1.03±0.08.
- △ DIMENSION AFTER SEATING TO PCB.
- △ NO CONTACT IN THIS POSITION, FOR PART NUMBER 1375796-1 & -3, ONLY
- △ CONTACTS: 0.00038 MIN GOLD ON MATING RECEPTACLE END, 0.00254-0.00508 MATTE TIN ON REMAINDER, ALL OVER 0.00127 NICKEL.
- △ PCB HOLE RECOMMENDATIONS FOR SILVER IMMERSION PLATING:  
A. DRILL HOLE DIAMETER TO BE 1.20±0.02.  
B. PLATING TO BE 0.0001524-0.0004064 SILVER OVER 0.0508±0.0254 COPPER.  
C. RECOMMENDED FINISH HOLE SIZE IS 1.10-1.19.
- △ TO BE USED ON SILVER IMMERSION PLATED PCB'S (NOTE 7).
- △ PCB HOLE RECOMMENDATIONS FOR ENIG PLATING:  
A. DRILL HOLE DIAMETER TO BE 1.20±0.02.  
B. PLATING TO BE 0.000051-0.000127 GOLD OVER 0.00305-0.00610 NICKEL ALL OVER 0.0508±0.0254 COPPER.  
C. RECOMMENDED FINISH HOLE SIZE IS 1.10-1.19.
- △ TO BE USED ON STANDARD PCB (NOTE 3) OR ENIG PLATED PCB (NOTE 9).



RECOMMENDED PCB LAYOUT FOR 1375796-1 & -3



RECOMMENDED PCB LAYOUT FOR 1375796-2 & -4

REV	DESCRIPTION	DATE	BY	CHKD	APVD
8	NO				
8	YES				
10	NO				
10	YES				

THIS DRAWING IS A CONTROLLED DOCUMENT.		DWG: W.G. LENKER 02JUN2000		REV: L.BREKOSKY 15JAN2001	
DIMENSIONS: mm		TOLERANCES UNLESS OTHERWISE SPECIFIED:		APVD: J. OLSON 13JUN2001	
9 PLC ± 1 PLC ± 2 PLC ±0.13 3 PLC ± 4 PLC ± ANGLES ±		FINISH: 6/2		NAME: ASSEMBLY, PC/104, NON-STACKTHROUGH CONTACTS, PRESS FIT	
MATERIAL: 1		WEIGHT: -		SIZE: CAGE CODE DRAWING NO: 114-13021	
CUSTOMER DRAWING		SCALE: 4:1		SHEET 1 OF 1	

## X-ON Electronics

Largest Supplier of Electrical and Electronic Components

*Click to view similar products for [PC/104 Connectors](#) category:*

*Click to view products by [TE Connectivity](#) manufacturer:*

Other Similar products are found below :

[ESQ-106-14-T-S](#) [ESQ-110-24-T-D](#) [4P01-2D02-DA](#) [4P02-2D02-DA](#) [10153301-32111LF](#) [10153301-20111LF](#) [10153301-20211LF](#) [10153301-32211LF](#) [10153302-32111LF](#) [10153302-20111LF](#) [10153302-20211LF](#) [10153302-32211LF](#) [10153303-30111LF](#) [10153304-30211LF](#) [10153305-30211LF](#) [M20-6113245](#) [RM322-0802012900](#) [ESQ-103-23-L-S](#) [ESQ-105-44-G-S](#) [ESQ-106-23-S-D](#) [ESQ-106-44-S-D](#) [ESQ-107-12-L-D](#) [ESQ-107-14-L-D](#) [ESQ-107-23-L-D](#) [ESQ-109-12-G-S](#) [ESQ-110-12-G-D](#) [ESQ-113-12-G-D](#) [ESQ-114-14-L-S](#) [ESQ-116-12-S-D](#) [ESQ-116-34-G-D](#) [ESQ-117-14-G-D](#) [ESQ-117-23-T-D](#) [ESQ-118-13-G-D](#) [ESQ-120-12-T-D](#) [ESQ-120-48-G-D](#) [ESQ-120-49-G-D](#) [ESQ-130-12-G-D](#) [ESQ-102-12-G-D](#) [ESQ-103-44-T-S](#) [ESQ-104-12-T-S](#) [ESQ-104-44-G-D](#) [ESQ-105-12-L-S](#) [ESQ-105-14-L-S](#) [ESQ-106-44-G-S](#) [ESQ-107-14-G-D](#) [ESQ-108-14-L-S](#) [ESQ-108-44-S-S](#) [ESQ-110-14-G-D](#) [ESQ-110-23-L-S](#) [ESQ-111-12-G-D](#)