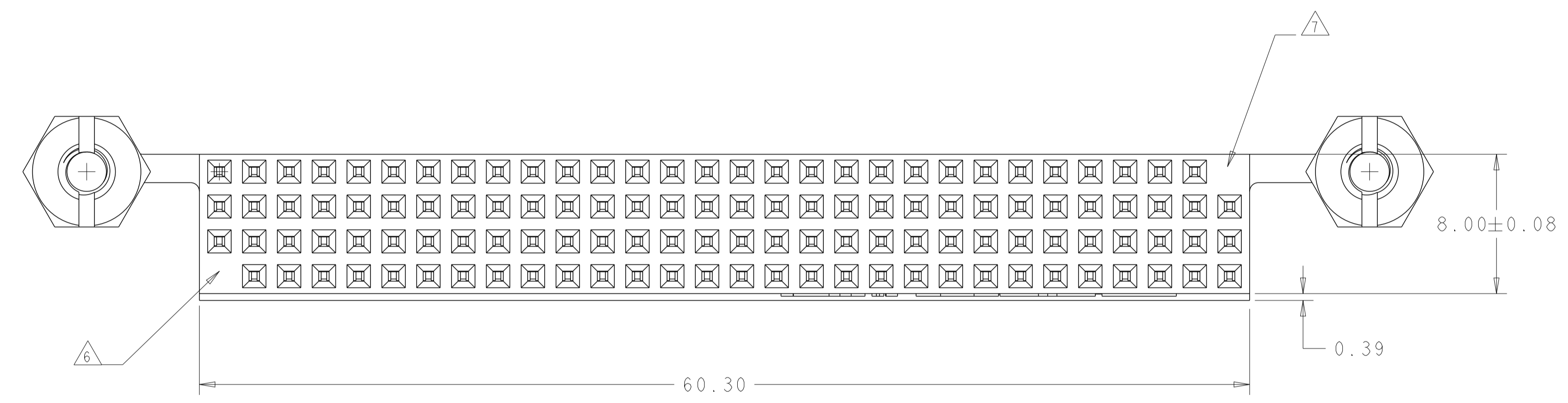
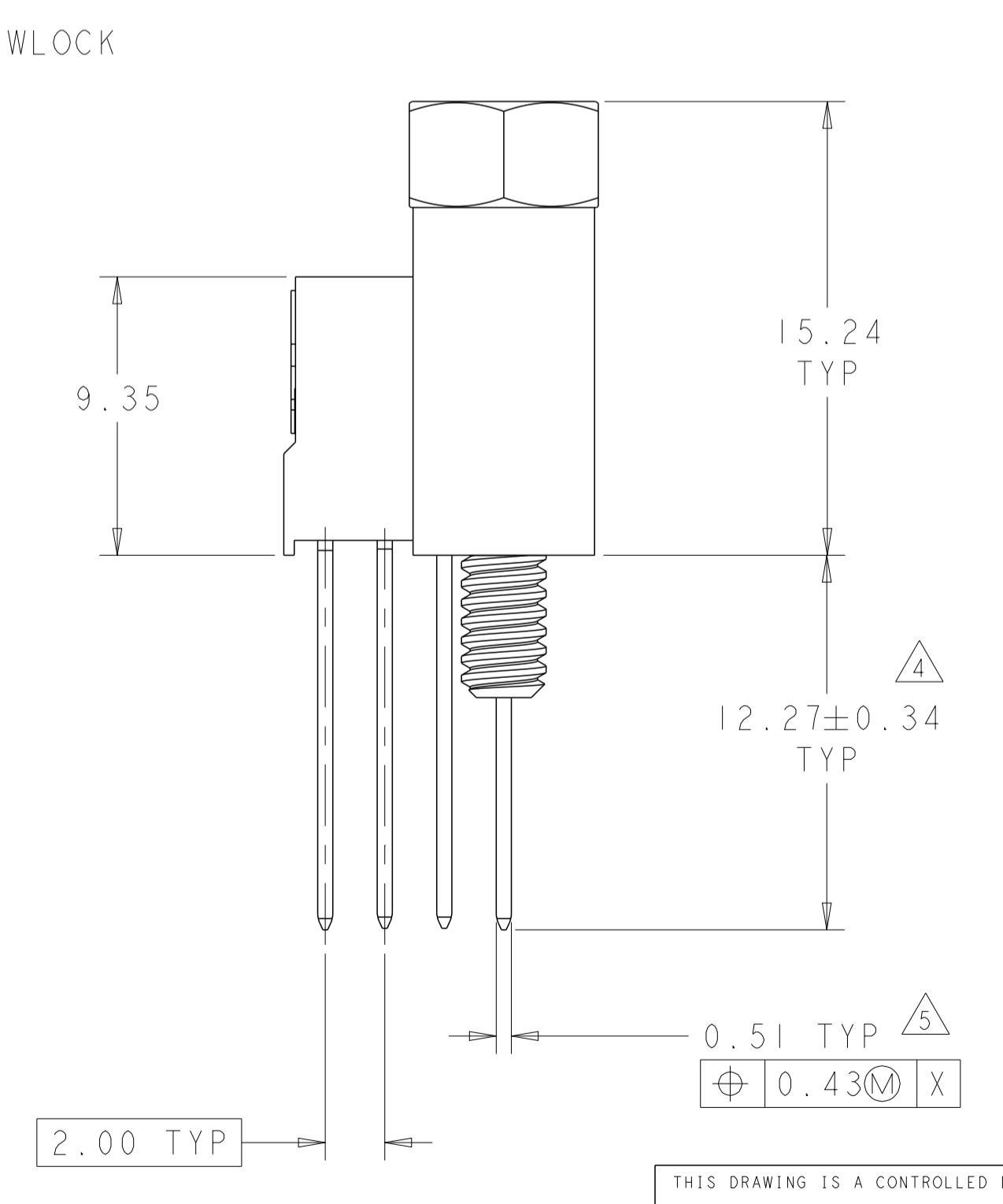
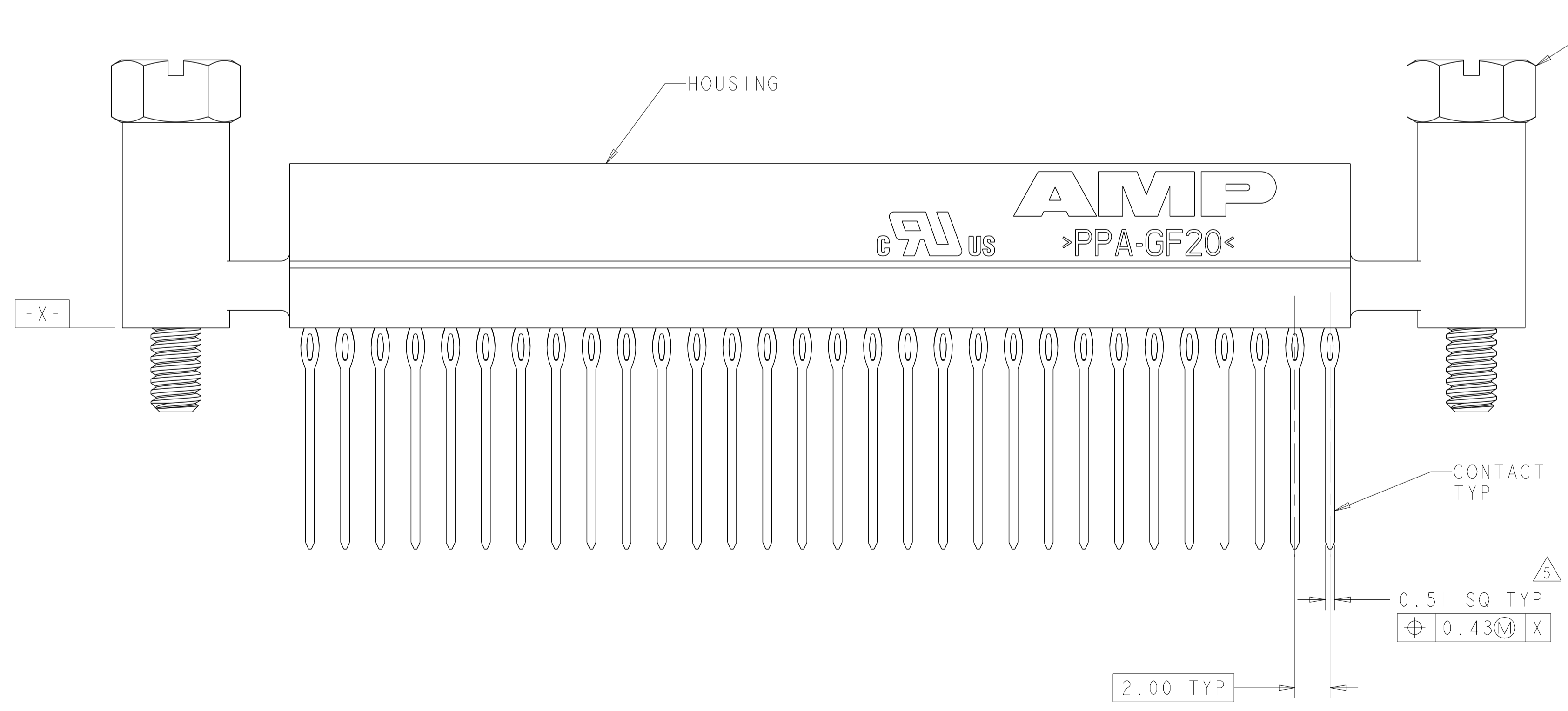


REVISIONS				
P	LTN	DESCRIPTION	DATE	APPV
J5		REVISED PER ECO-16-008038	27MAY2016	NK JO
K		REVISED PER ECO-18-012301	06AUG2018	RS JO



- 1 HOUSING: HIGH TEMPERATURE, GLASS FILLED NYLON, COLOR: BLACK.
CONTACTS: PHOSPHOR BRONZE.
SCREWLOCKS: STEEL.
- 2 CONTACTS: 0.000381 MIN GOLD ON MATING RECEPTACLE END, 0.000130 MIN GOLD ON REMAINDER, ALL OVER 0.001270 NICKEL.
SCREWLOCKS: CLEAR CHROMATE OVER ZINC.
- 3 PCB HOLE RECOMMENDATIONS:
A. DRILL HOLE DIAMETER TO BE 1.00±0.02.
B. PLATING TO BE 0.005 MIN TIN-LEAD OVER 0.025-0.075 COPPER.
C. RECOMMENDED FINISH HOLE SIZE IS 0.88±0.08.
- 4 DIMENSION AFTER SEATING TO PCB.
- 5 POSITION TOLERANCE APPLIES AFTER CONNECTOR IS PRESSED ONTO PC BOARD.
- 6 NO CONTACT IN THIS POSITION FOR PART NUMBER 1375797-2 ONLY.
- 7 NO CONTACT IN THIS POSITION FOR PART NUMBER 1375797-3 ONLY.
- 8 CONTACTS: 0.000381 MIN GOLD ON MATING RECEPTACLE END, 0.00254-0.00508 MATTE TIN ON COMPLIANT AREA, 0.000130 MIN GOLD OVER REMAINDER, ALL OVER 0.001270 NICKEL.
SCREWLOCKS: CLEAR CHROMATE OVER ZINC.
- 9 TO BE USED ON SILVER IMMERSION PLATED PCB'S (NOTE 10).
- 10 PCB HOLE RECOMMENDATIONS FOR SILVER IMMERSION PLATING:
A. DRILL HOLE DIAMETER TO BE 1.00-1.02.
B. PLATING TO BE 0.0001524-0.0004064 SILVER OVER 0.0508±0.0254 COPPER.
C. RECOMMENDED FINISH HOLE SIZE IS 0.94-0.97.
- 11 PCB HOLE RECOMMENDATIONS FOR ENIG PLATING:
A. DRILL HOLE DIAMETER TO BE 1.00-1.02.
B. PLATING TO BE 0.000051-0.000127 GOLD OVER 0.00305-0.00610 NICKEL ALL OVER 0.0508±0.0254 COPPER.
C. RECOMMENDED FINISH HOLE SIZE IS 0.94-0.97.
- 12 TO BE USED ON STANDARD PCB (NOTE 3) OR ENIG PLATED PCB (NOTE 11).

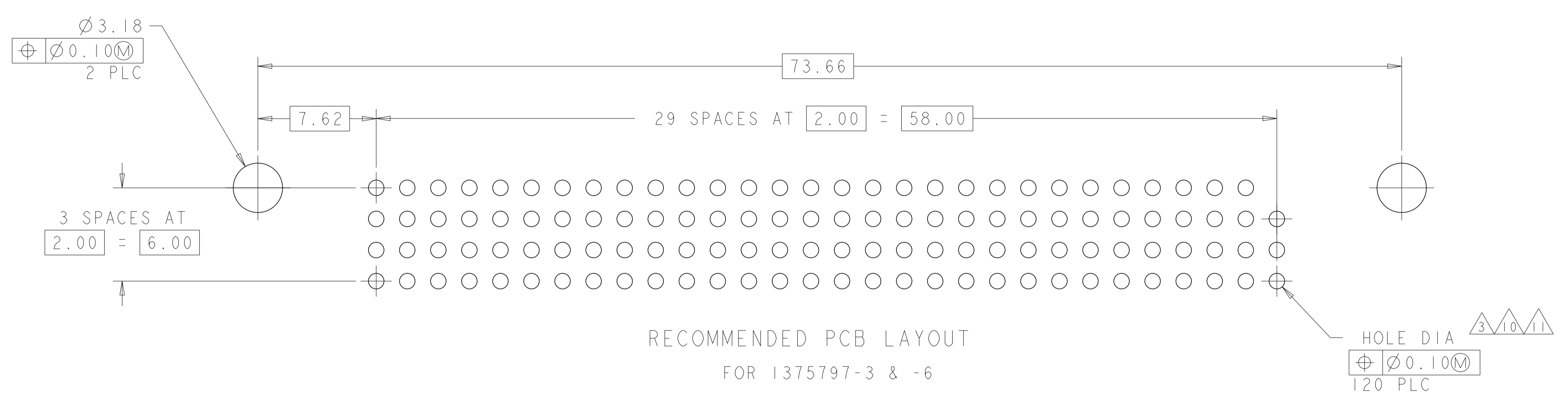
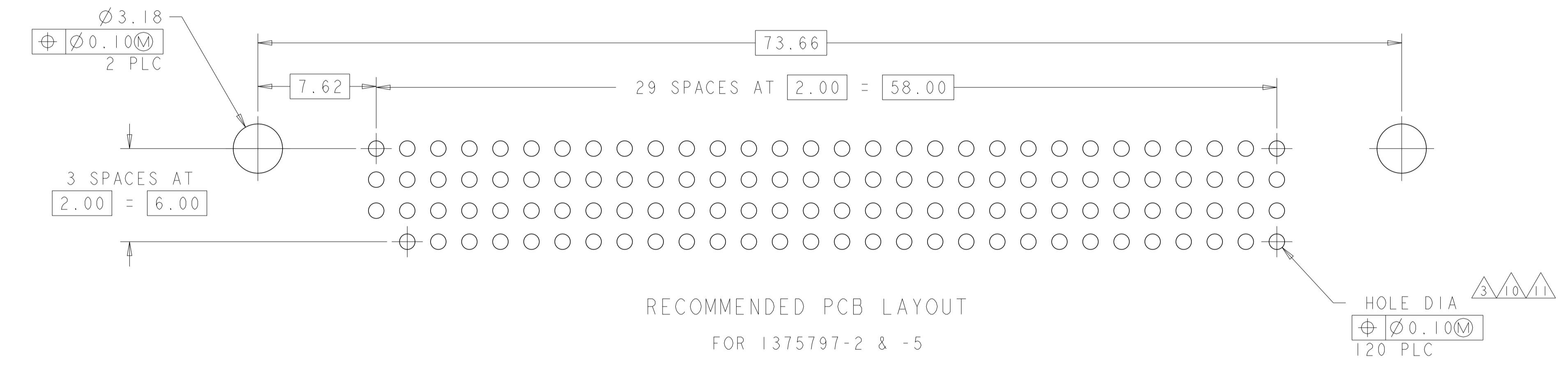
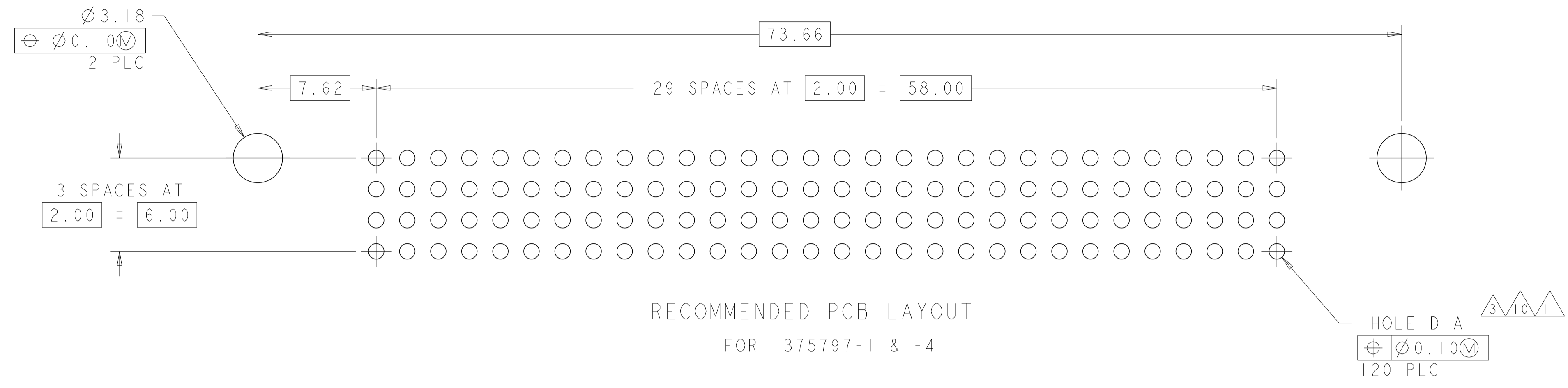


FINISH	KEYED CIRCUITS	PART NO
9	8 YES 1	1375797-6
9	8 YES 6	1375797-5
9	8 NO	1375797-4
12	2 YES 7	1375797-3
12	2 YES 6	1375797-2
12	2 NO	1375797-1

THIS DRAWING IS A CONTROLLED DOCUMENT.

DIMENSIONS:	TOLERANCES UNLESS OTHERWISE SPECIFIED:	DRW: W.G. LENKER 20JUN2000	CHK: L. BREKOSKY 15JAN2001
mm	0 PLC ±	APVD: J. OLSON 13JUN2001	NAME: ASSEMBLY, PC/104-PLUS, STACKTHROUGH CONTACTS, 2 STANDOFFS, PRESS FIT
	1 PLC ±0.01	PRODUCT SPEC: 108-1956	SIZE: 114-13021
	2 PLC ±	APPLICATION SPEC:	WEIGHT:
	3 PLC ±	RESTRICTED TO:	CUSTOMER DRAWING
	4 PLC ±	SCALE: 5:1	SHEET 1 OF 2
	ANGLES ±	REV: K	
	FINISH		

REVISIONS				
P.	LTN.	DESCRIPTION	DATE	APVD.
-	-	SEE SHEET 1	-	-



THIS DRAWING IS A CONTROLLED DOCUMENT.		DWN W.G. LENKER 15JAN2001	20JUN2000	TE Connectivity
DIMENSIONS: mm		CHK L. BREKOSKY	13JUN2001	
TOLERANCES UNLESS OTHERWISE SPECIFIED:		APVD J. OLSON	13JUN2001	NAME ASSEMBLY, PC/104-PLUS, STACKTHROUGH CONTACTS, 2 STANDOFFS, PRESS FIT
0 PLC ±		PRODUCT SPEC	108-1956	SIZE A100779C=1375797
1 PLC ±0.01		APPLICATION SPEC	114-13021	RESTRICTED TO
2 PLC ±		WEIGHT	-	CUSTOMER DRAWING
3 PLC ±		SCALE	5:1	SHEET 2 OF 2
4 PLC ±		REVISION	K	REV
ANGLES ±		FINISH	-	

X-ON Electronics

Largest Supplier of Electrical and Electronic Components

Click to view similar products for [PC/104 Connectors](#) category:

Click to view products by [TE Connectivity](#) manufacturer:

Other Similar products are found below :

[ESQ-106-14-T-S](#) [ESQ-110-24-T-D](#) [4P02-2D02-DA](#) [10153301-32111LF](#) [10153301-20111LF](#) [10153301-20211LF](#) [10153301-32211LF](#)
[10153302-32111LF](#) [10153302-20111LF](#) [10153302-20211LF](#) [10153302-32211LF](#) [10153303-30111LF](#) [10153304-30211LF](#) [10153305-](#)
[30211LF](#) [M20-6113245](#) [RM322-0802012900](#) [ESQ-103-23-L-S](#) [ESQ-105-44-G-S](#) [ESQ-106-23-S-D](#) [ESQ-106-44-S-D](#) [ESQ-107-12-L-D](#)
[ESQ-107-14-L-D](#) [ESQ-107-23-L-D](#) [ESQ-109-12-G-S](#) [ESQ-110-12-G-D](#) [ESQ-113-12-G-D](#) [ESQ-114-14-L-S](#) [ESQ-116-12-S-D](#) [ESQ-116-34-](#)
[G-D](#) [ESQ-117-14-G-D](#) [ESQ-117-23-T-D](#) [ESQ-118-13-G-D](#) [ESQ-120-12-T-D](#) [ESQ-120-48-G-D](#) [ESQ-120-49-G-D](#) [ESQ-130-12-G-D](#) [ESQ-](#)
[102-12-G-D](#) [ESQ-103-44-T-S](#) [ESQ-104-12-T-S](#) [ESQ-104-44-G-D](#) [ESQ-105-12-L-S](#) [ESQ-105-14-L-S](#) [ESQ-106-44-G-S](#) [ESQ-107-14-G-D](#)
[ESQ-108-14-L-S](#) [ESQ-108-44-S-S](#) [ESQ-110-14-G-D](#) [ESQ-110-23-L-S](#) [ESQ-111-12-G-D](#) [ESQ-113-44-H-D](#)