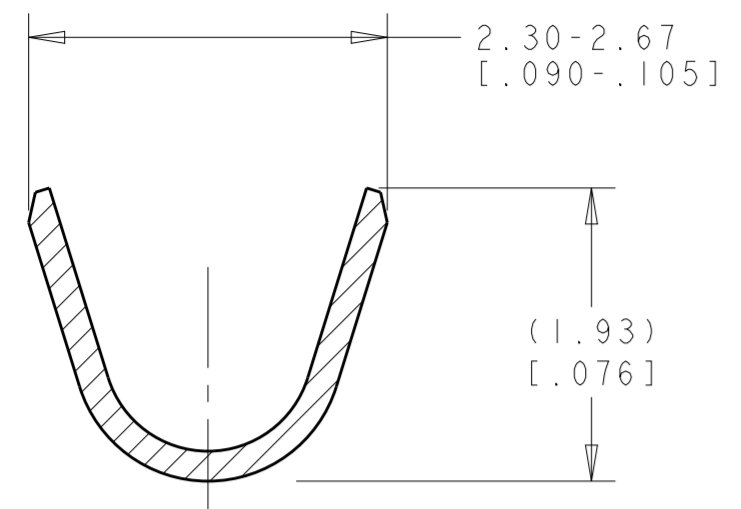
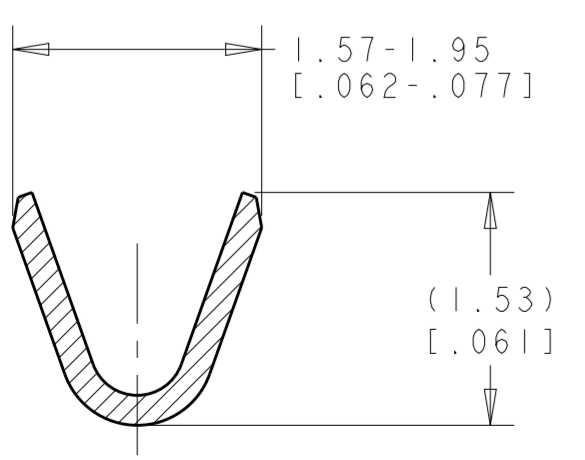
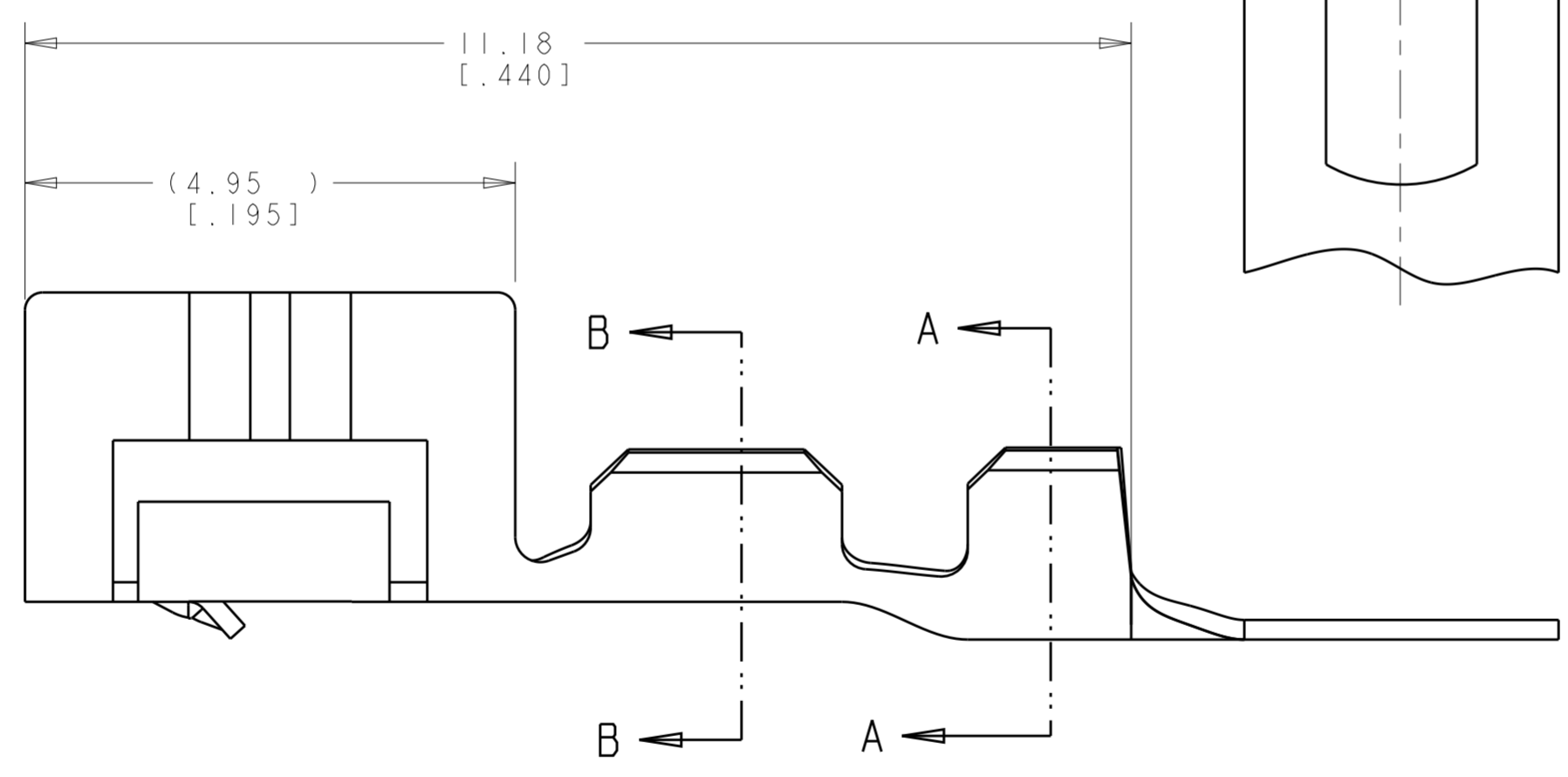
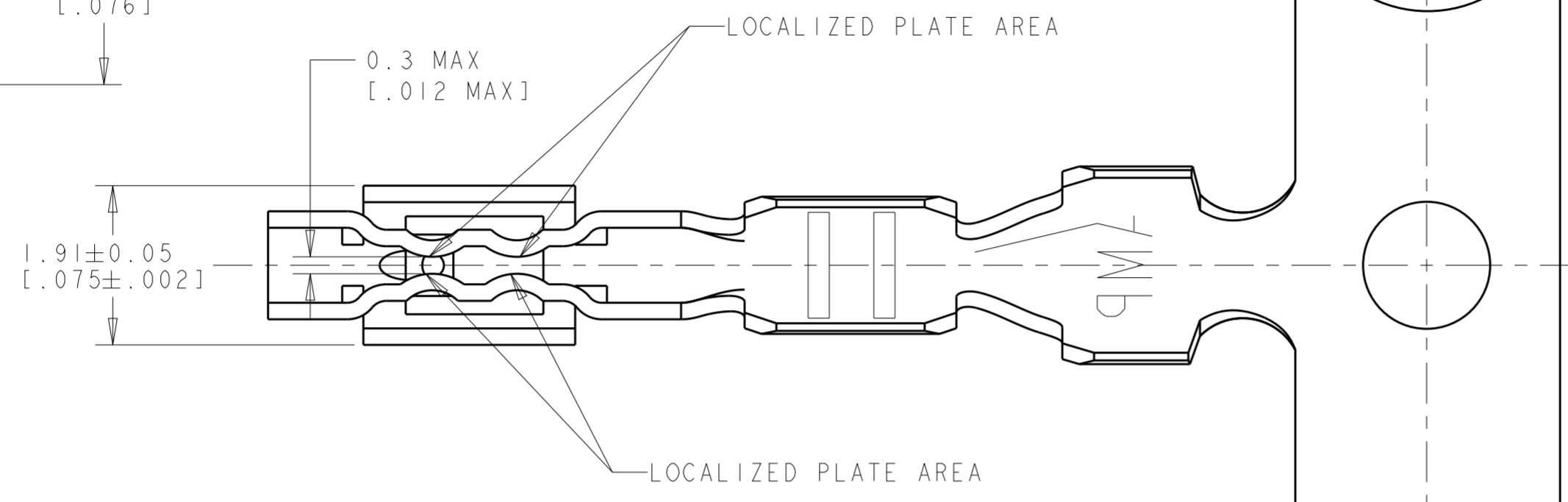


THIS DRAWING IS UNPUBLISHED. RELEASED FOR PUBLICATION 20
 © COPYRIGHT 20 BY - ALL RIGHTS RESERVED.

| LOC | DIST | REVISIONS | | | | | |
|-----|------|-----------|-----|---------------------------|-----------|-----|------|
| GP | 00 | P | LTR | DESCRIPTION | DATE | DWN | APVD |
| | | B1 | | REVISED PER ECO-11-004835 | 11MAR2011 | RK | HMR |
| | | B2 | | REVISED PER ECR-20-100316 | 12AUG2020 | PJ | VS |



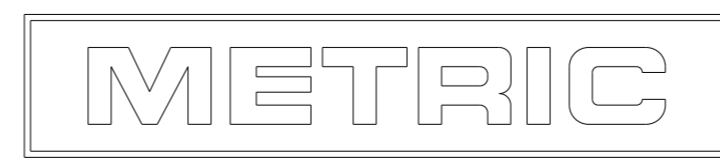
SECTION A-A
SCALE 20:1



SECTION B-B
SCALE 20:1

- WIRE RANGE .13 - .35 mm² (26 -22 AWG).
- INSULATION RANGE 0.89 - 1.65 [.035 - .065].
- 0.00038 [.000015] MIN GOLD STRIPE IN LOCALIZED AREA OVER 0.00127 [.000050] MIN NICKEL OVER ENTIRE CONTACT -OR- GOLD FLASH OVER PALLADIUM-NICKEL .00038 [.000015] MIN TOTAL IN LOCALIZED AREA OVER .00127 [.000050] MIN NICKEL OVER ENTIRE CONTACT.
- 0.00076 [.000030] MIN GOLD STRIPE IN LOCALIZED AREA OVER 0.000127 [.000050] MIN NICKEL OVER ENTIRE CONTACT -OR- GOLD FLASH OVER PALLADIUM-NICKEL .00076 [.000030] MIN TOTAL IN LOCALIZED AREA OVER .00127 [.000050] MIN NICKEL OVER ENTIRE CONTACT.
- NOT FOR USE IN HOUSING PART NUMBER 770602.
- CONTACTS COATED WITH ANTI-FRETTING LUBRICANT.

| | | |
|---------|----------|-------------|
| 4 | PH BRZ | 1375819-3 |
| 3 | PH BRZ | 1375819-2 |
| PRE-TIN | PH BRZ | 1375819-1 |
| FINISH | MATERIAL | PART NUMBER |



THIS DRAWING IS A CONTROLLED DOCUMENT.

| | | | |
|----------------------------|--|------------------------------------|---|
| DIMENSIONS: mm [INCHES] | TOLERANCES UNLESS OTHERWISE SPECIFIED: | DWN K. WHITAKER 21-JUNE-2001 | TE Connectivity CONTACT, CST 100 11 |
| 0 PLC ± | 1 PLC ± | CHK J. ELLIS 21-JUNE-2001 | |
| 2 PLC ±0.13 [.005] | 3 PLC ± | APVD J. ELLIS 21-JUNE-2001 | |
| 4 PLC ± | ANGLES ± | PRODUCT SPEC 108-1948 | |
| MATERIAL SEE TABLE | FINISH SEE TABLE | APPLICATION SPEC 114-13036 | RESTRICTED TO |
| CUSTOMER DRAWING | | WEIGHT - | SIZE A200779 CAGE CODE C-1375819 DRAWING NO SCALE 15:1 SHEET 1 OF 1 REV B2 |

X-ON Electronics

Largest Supplier of Electrical and Electronic Components

Click to view similar products for [Headers & Wire Housings](#) category:

Click to view products by [TE Connectivity](#) manufacturer:

Other Similar products are found below :

[892-18-020-10-001101](#) [58102-G61-06LF](#) [582553-1](#) [0009485154](#) [009176003701906](#) [0050291907](#) [LY20-4P-DT1-P1E-BR](#) [02.125.8002.8](#)
[609-3404](#) [61062-3](#) [61082-181009](#) [622-3653LF](#) [63453-116](#) [636-1030](#) [636-1427](#) [636-3427](#) [636-4007](#) [641938-9](#) [641991-4](#) [644827-2](#) [65817-010LF](#) [65817-015LF](#) [65863-015LF](#) [66207-023LF](#) [67095-007LF](#) [67601157](#) [68645-018](#) [68648-049](#) [70.362.1628.0](#) [70-4210](#) [70-4226B](#) [70-4853B](#) [707-5020](#) [707-5028](#) [71.350.2428.0](#) [71918-208LF](#) [71961-016LF](#) [733-134](#) [733-162](#) [754199-000](#) [760-3052](#) [787-8014-00](#) [79531-3000](#)
[FCN-360C032-B](#) [FCN-367T-T012/H](#) [FCN-723D010/2](#) [80.063.4001.1](#) [800-90-001-10-001000](#) [800-90-010-10-002000](#) [801-43-002-10-013000](#)