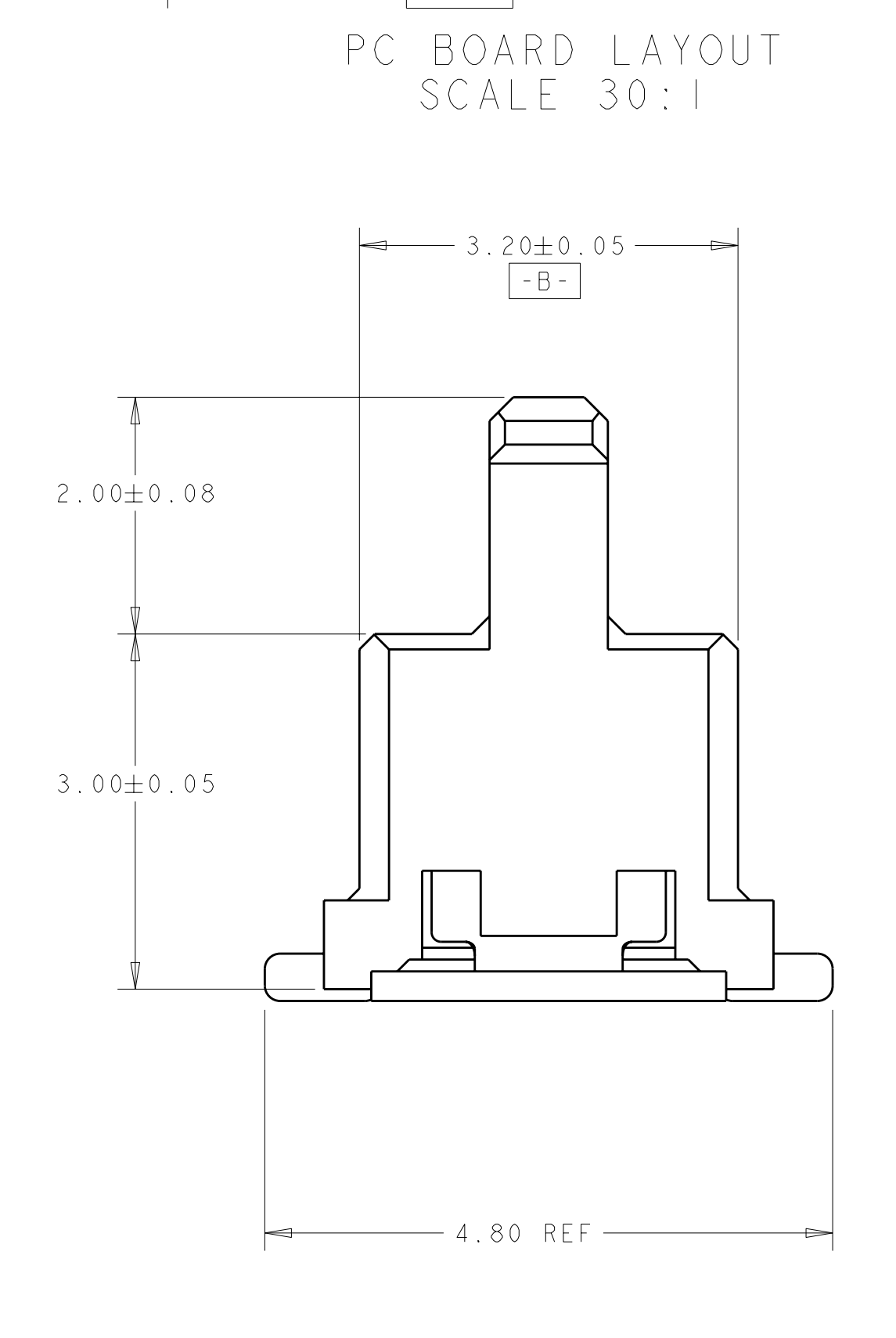
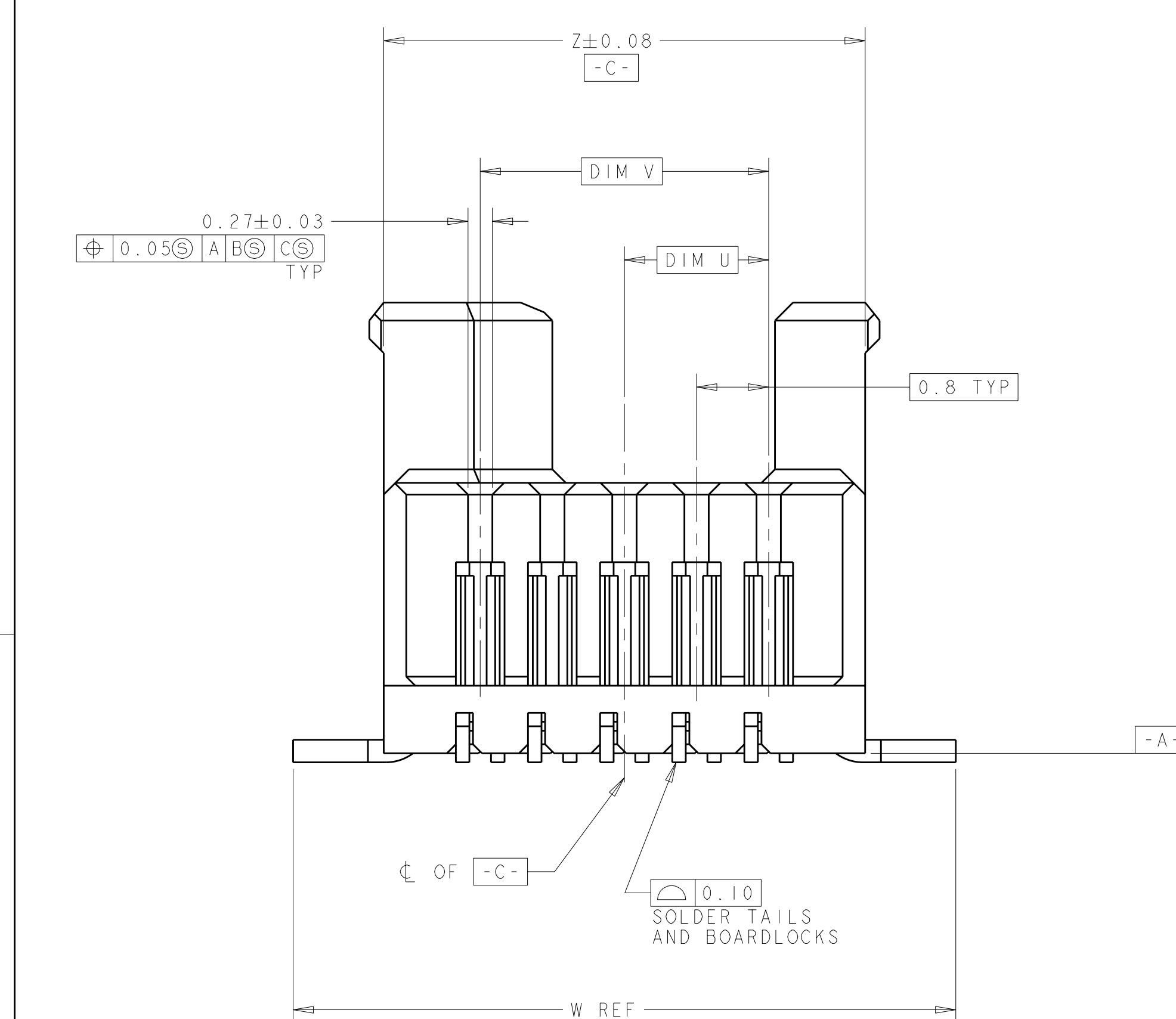
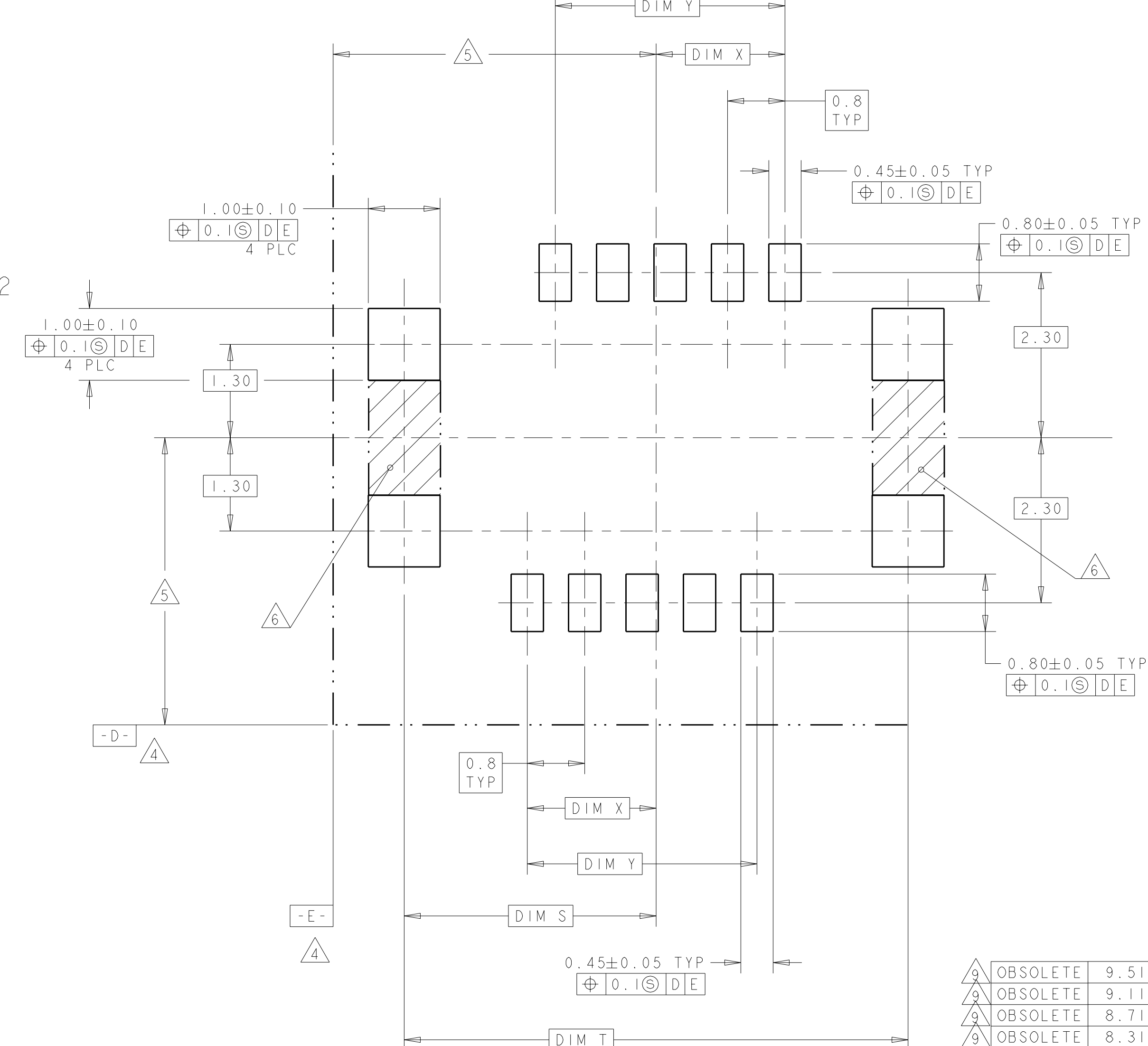
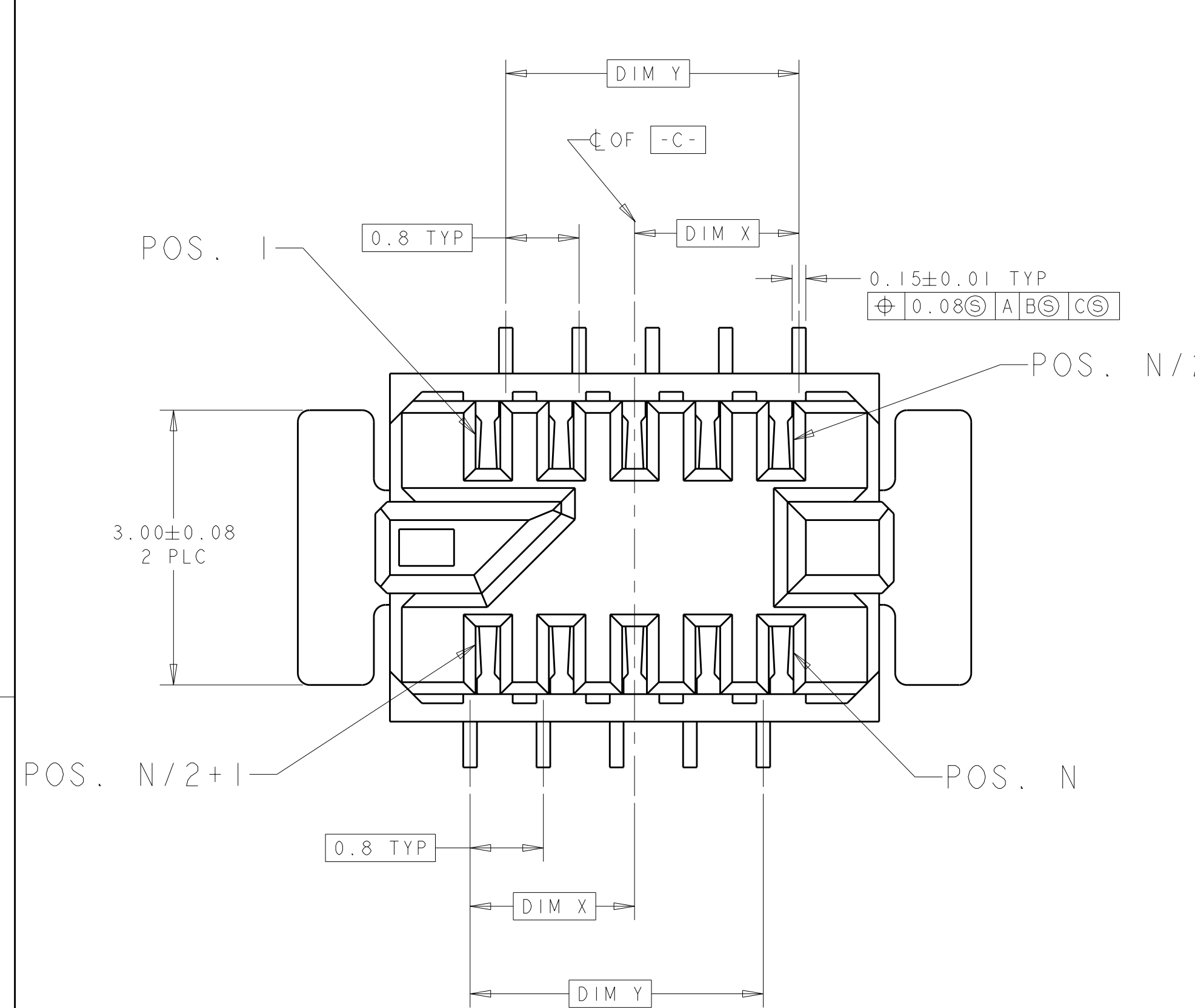


LOC	DIST	REV	DATE	BY	APPD
AD	00	B2	23MAR2011	RK	HMR



- △ HOUSING MATERIAL; UL94 V-0 RATED LCP, COLOR: NATURAL. CONTACT MATERIAL; PHOS BRONZE BOARDLOCK MATERIAL; BRASS
- △ CONTACT PLATING; 0.76 μm MIN GOLD IN MATING AREA 0.13 μm - 0.20 μm GOLD IN SOLDER AREA. BOTH OVER 1.27 μm MIN NICKEL ON ENTIRE STOCK.
- △ BOARDLOCK PLATING; 3.8 μm MIN BRIGHT TIN/LEAD ON ENTIRE STOCK OVER 1.27 μm MIN NICKEL ON ENTIRE STOCK.
- △ DATUMS ESTABLISHED BY CUSTOMER.
- △ BASIC DIMENSIONS ESTABLISHED BY CUSTOMER.
- △ NO TRACES ON EXTERNAL BOARD LAYER IN THIS AREA.
- △ BOARDLOCK PLATING; 3.8 μm MIN TIN ON ENTIRE STOCK OVER 1.27 μm MIN NICKEL ON ENTIRE STOCK
- △ ROHS 2002/95/EC COMPLIANT.
- △ OBSOLETE PARTS: OBSOLETE CIS STREAMLINING PER D.RENAUD/D.SINISI

NO. OF POS.	PART NUMBER	Z	FINISH	DIM X	DIM Y	W REF	DIM U	DIM V	DIM S	DIM T
40	6-1375870-8	17.34		7.795	15.2	19.35	7.6	19.02	9.51	9.51
38	6-1375870-7	16.54		7.395	14.4	18.55	7.2	18.22	9.11	9.11
36	6-1375870-6	15.74		6.995	13.6	17.75	6.8	17.42	8.71	8.71
34	6-1375870-5	14.94		6.595	12.8	16.95	6.4	16.62	8.31	8.31
32	6-1375870-4	14.14		6.195	12	16.15	6	15.82	7.91	7.91
30	6-1375870-3	13.34		5.795	11.2	15.35	5.6	15.02	7.51	7.51
28	6-1375870-2	12.54		5.395	10.4	14.55	5.2	14.22	7.11	7.11
26	6-1375870-1	11.74		4.995	9.6	13.75	4.8	13.42	6.71	6.71
24	6-1375870-0	10.94		4.595	8.8	12.95	4.4	12.62	6.31	6.31
22	5-1375870-9	10.14	△ 2 △ 7 △ 8	4.195	8	12.15	4	11.82	5.91	5.91
20	5-1375870-8	9.34		3.795	7.2	11.35	3.6	11.02	5.51	5.51
18	5-1375870-7	8.54		3.395	6.4	10.55	3.2	10.22	5.11	5.11
16	5-1375870-6	7.74		2.995	5.6	9.75	2.8	9.42	4.71	4.71
14	5-1375870-5	6.94		2.595	4.8	8.95	2.4	8.62	4.31	4.31
12	5-1375870-4	6.14		2.195	4	8.15	2	7.82	3.91	3.91
10	5-1375870-3	5.34		1.795	3.2	7.35	1.6	7.02	3.51	3.51
8	5-1375870-2	4.54		1.395	2.4	6.55	1.2	6.22	3.11	3.11
6	5-1375870-1	3.74		0.995	1.6	5.75	0.8	5.42	2.71	2.71
40	1-1375870-8	17.34		7.795	15.2	19.35	7.6	19.02	9.51	9.51
38	1-1375870-7	16.54		7.395	14.4	18.55	7.2	18.22	9.11	9.11
36	1-1375870-6	15.74		6.995	13.6	17.75	6.8	17.42	8.71	8.71
34	1-1375870-5	14.94		6.595	12.8	16.95	6.4	16.62	8.31	8.31
32	1-1375870-4	14.14		6.195	12	16.15	6	15.82	7.91	7.91
30	1-1375870-3	13.34		5.795	11.2	15.35	5.6	15.02	7.51	7.51
28	1-1375870-2	12.54		5.395	10.4	14.55	5.2	14.22	7.11	7.11
26	1-1375870-1	11.74		4.995	9.6	13.75	4.8	13.42	6.71	6.71
24	1-1375870-0	10.94		4.595	8.8	12.95	4.4	12.62	6.31	6.31
22	1375870-9	10.14	△ 2 △ 3	4.195	8	12.15	4	11.82	5.91	5.91
20	1375870-8	9.34		3.795	7.2	11.35	3.6	11.02	5.51	5.51
18	1375870-7	8.54		3.395	6.4	10.55	3.2	10.22	5.11	5.11
16	1375870-6	7.74		2.995	5.6	9.75	2.8	9.42	4.71	4.71
14	1375870-5	6.94		2.595	4.8	8.95	2.4	8.62	4.31	4.31
12	1375870-4	6.14		2.195	4	8.15	2	7.82	3.91	3.91
10	1375870-3	5.34		1.795	3.2	7.35	1.6	7.02	3.51	3.51
8	1375870-2	4.54		1.395	2.4	6.55	1.2	6.22	3.11	3.11
6	1375870-1	3.74		0.995	1.6	5.75	0.8	5.42	2.71	2.71

THIS DRAWING IS A CONTROLLED DOCUMENT.

DIMENSIONS: mm

TOLERANCES UNLESS OTHERWISE SPECIFIED:

9 PLC	±
5 PLC	±
4 PLC	±
3 PLC	±
2 PLC	±
1 PLC	±
ANGLES	±

MATERIAL: SEE TABLE

FINISH: SEE TABLE

DATE: 07JUN2000

CHK: W. DAVIS

APPD: W. DAVIS

NAME: AMMODU MICRO INTERCONNECT RECEPTACLE ASSEMBLY

PRODUCT SPEC: 108-1955

APPLICATION SPEC: 114-13051

WEIGHT: -

CUSTOMER DRAWING

SCALE: 20:1

SHEET: 1 OF 1

REV: B2

X-ON Electronics

Largest Supplier of Electrical and Electronic Components

Click to view similar products for [Headers & Wire Housings](#) category:

Click to view products by [TE Connectivity](#) manufacturer:

Other Similar products are found below :

[95000-104TRLF](#) [10135584-644402LF](#) [DF62W-EP2022PCA](#) [95000-106TRLF](#) [DF62W-2022SCA](#) [DF62W-EP2022PC](#) [2203348](#) [DF62W-2022SC](#) [1084018](#) [1029039](#) [1084017](#) [802-10-012-10-002000](#) [1112640](#) [1112639](#) [000-34000](#) [0009482033](#) [0009507031](#) [57102-S06-03LF](#) [57202-S52-04LF](#) [PCN6-15S-2.5E](#) [0039019024](#) [58102-G61-06LF](#) [582553-1](#) [0009508121](#) [0050291907](#) [018731A](#) [LY20-4P-DT1-P1E-BR](#) [02.125.8002.8](#) [60101931](#) [60598-1 \(Cut Strip\)](#) [M1625-3R/100](#) [61062-3](#) [61082-181009](#) [636-1427](#) [638009-1](#) [641938-9](#) [641991-4](#) [644168-1](#) [647662-1](#) [65039-019ELF](#) [65817-002LF](#) [65817-015LF](#) [65863-015LF](#) [66207-023LF](#) [67016-026LF](#) [67046-001LF](#) [67095-007LF](#) [68002-116](#) [68016-236H](#) [68648-049](#)