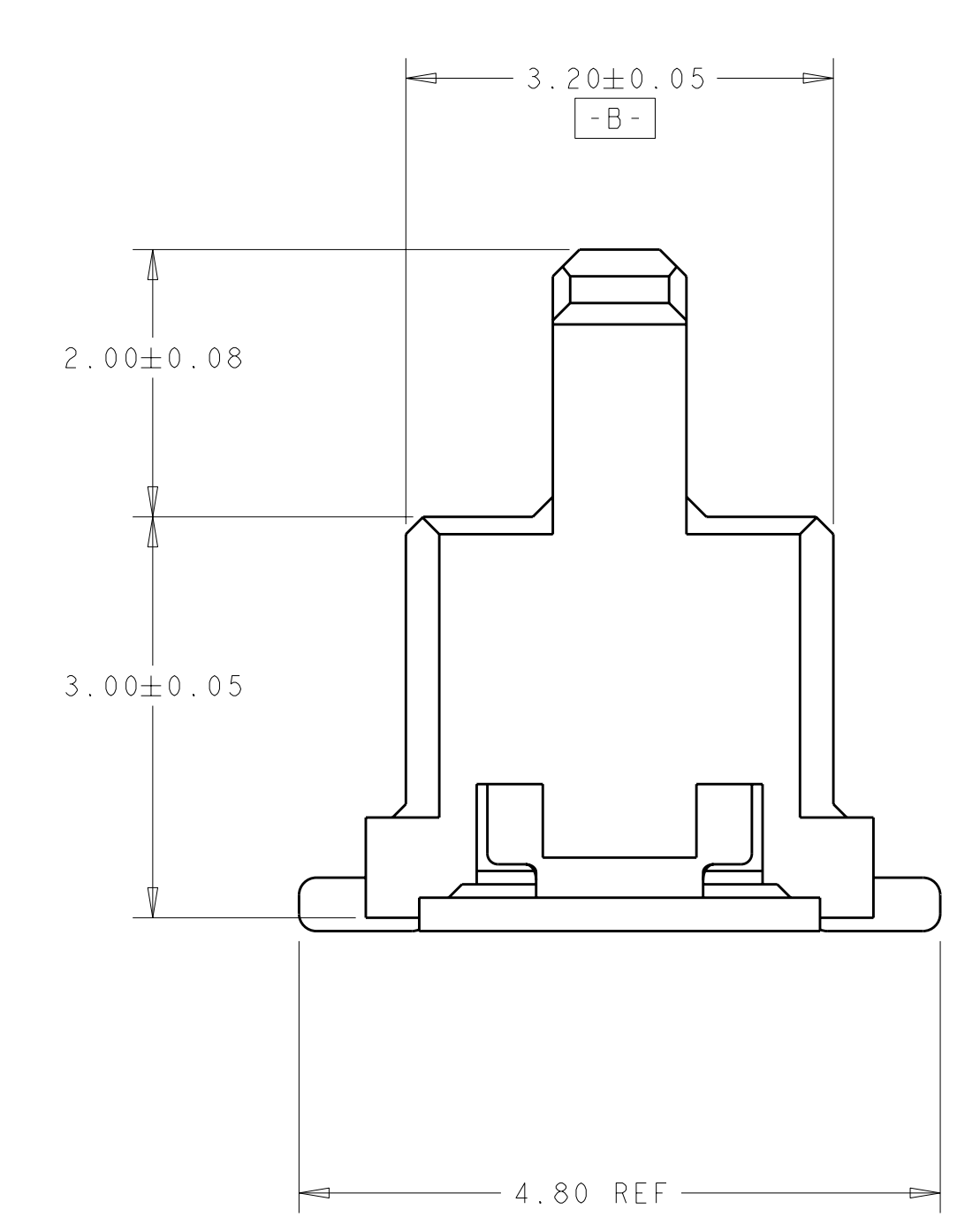
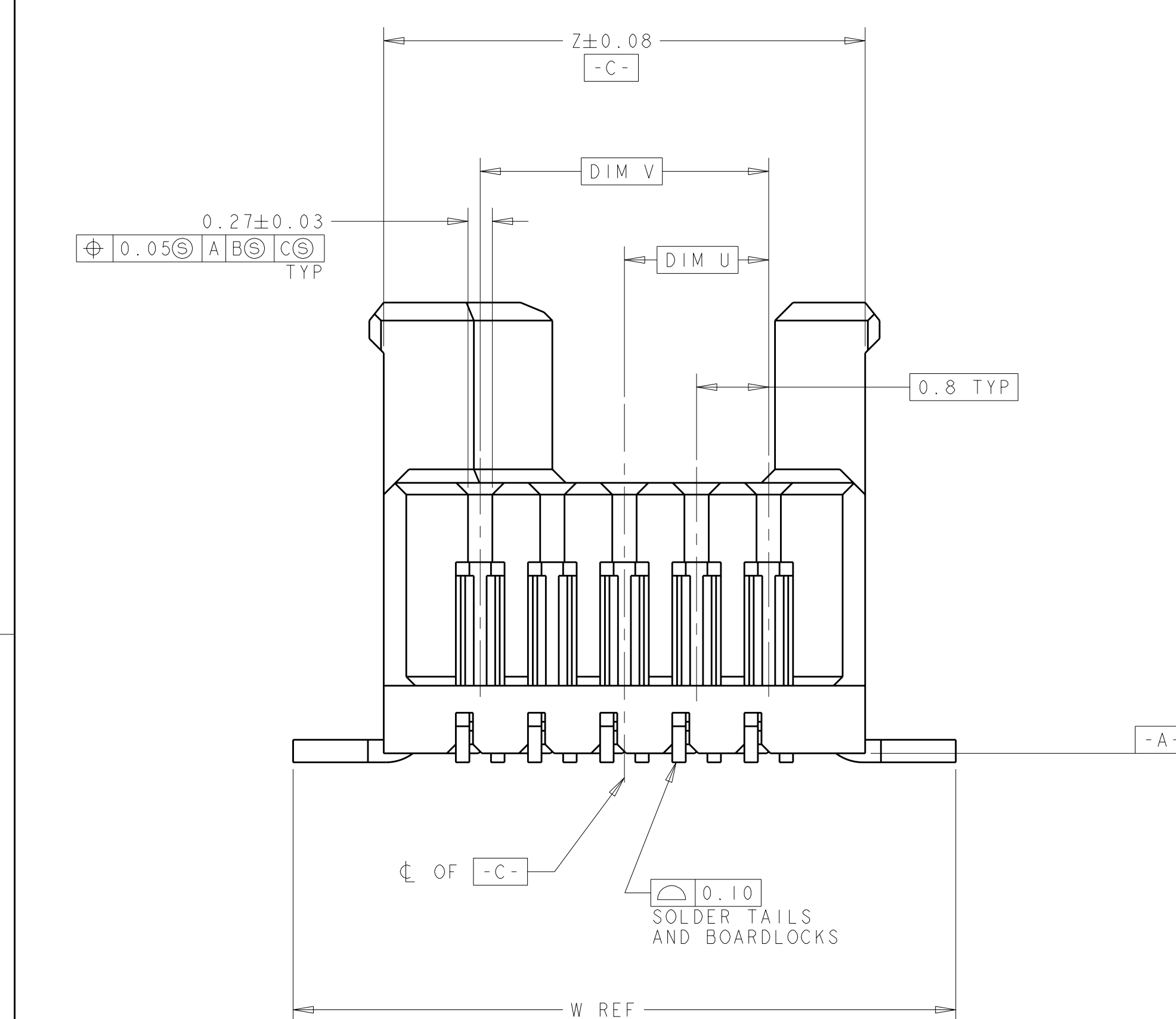
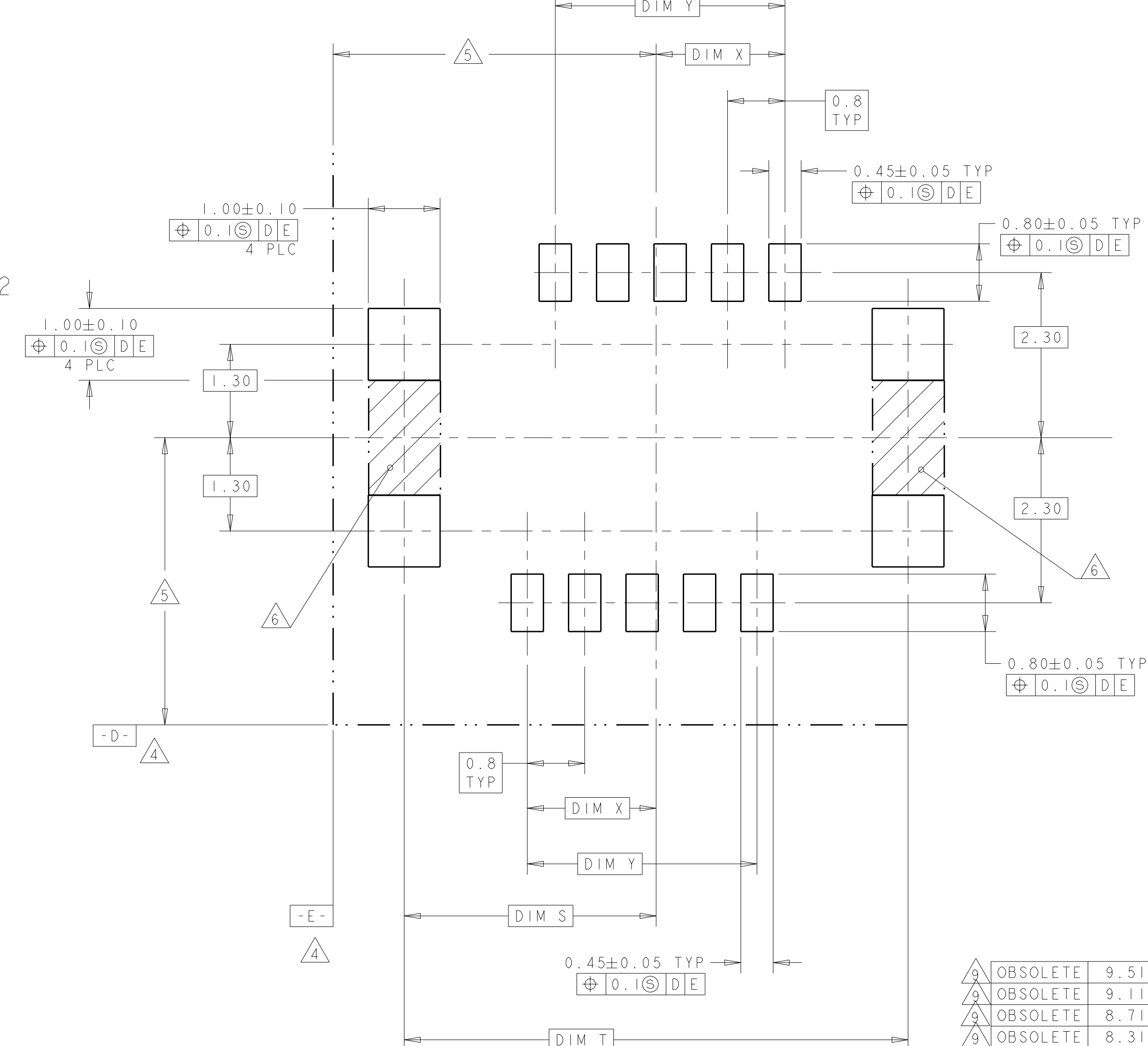
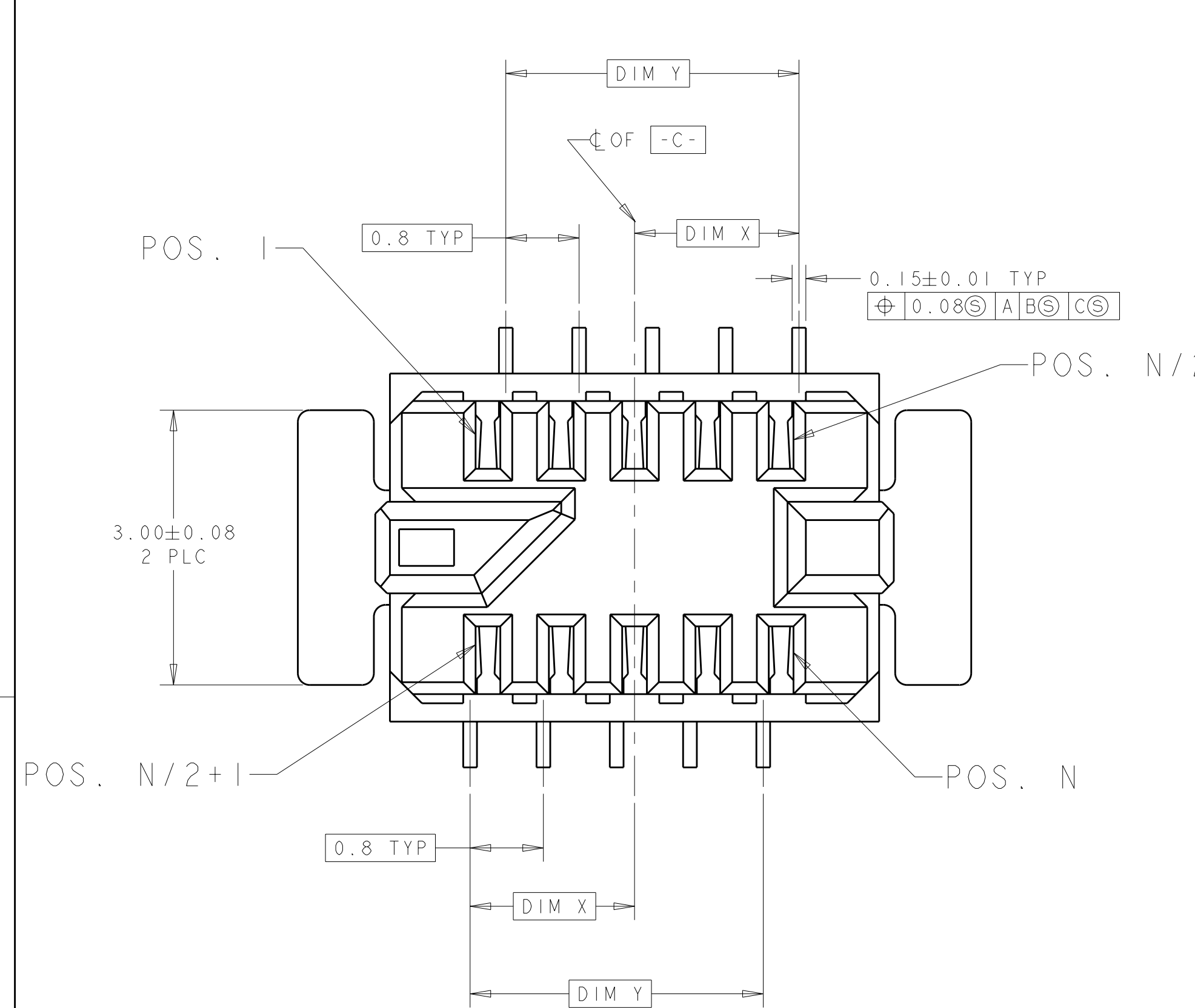


LOC	DIST	REV	DATE	BY	CHK	APPD
AD	00	B2	23MAR2011	RK	HMR	



- △ HOUSING MATERIAL; UL94 V-0 RATED LCP, COLOR: NATURAL. CONTACT MATERIAL; PHOS BRONZE BOARDLOCK MATERIAL; BRASS
- △ CONTACT PLATING; 0.76 μm MIN GOLD IN MATING AREA 0.13 μm - 0.20 μm GOLD IN SOLDER AREA. BOTH OVER 1.27 μm MIN NICKEL ON ENTIRE STOCK.
- △ BOARDLOCK PLATING; 3.8 μm MIN BRIGHT TIN/LEAD ON ENTIRE STOCK OVER 1.27 μm MIN NICKEL ON ENTIRE STOCK.
- △ DATUMS ESTABLISHED BY CUSTOMER.
- △ BASIC DIMENSIONS ESTABLISHED BY CUSTOMER.
- △ NO TRACES ON EXTERNAL BOARD LAYER IN THIS AREA.
- △ BOARDLOCK PLATING; 3.8 μm MIN TIN ON ENTIRE STOCK OVER 1.27 μm MIN NICKEL ON ENTIRE STOCK
- △ ROHS 2002/95/EC COMPLIANT.
- △ OBSOLETE PARTS: OBSOLETE CIS STREAMLINING PER D.RENAUD/D.SINISI

NO. OF POS.	PART NUMBER	FINISH	Z	DIM X	DIM Y	W REF	DIM U	DIM V	DIM S	DIM T
40	6-1375870-8									
38	6-1375870-7									
36	6-1375870-6									
34	6-1375870-5									
32	6-1375870-4									
30	6-1375870-3									
28	6-1375870-2									
26	6-1375870-1									
24	6-1375870-0									
22	5-1375870-9	△ 2 △ 7 △ 8								
20	5-1375870-8									
18	5-1375870-7									
16	5-1375870-6									
14	5-1375870-5									
12	5-1375870-4									
10	5-1375870-3									
8	5-1375870-2									
6	5-1375870-1									
40	1-1375870-8									
38	1-1375870-7									
36	1-1375870-6									
34	1-1375870-5									
32	1-1375870-4									
30	1-1375870-3									
28	1-1375870-2									
26	1-1375870-1									
24	1-1375870-0									
22	1375870-9	△ 2 △ 3								
20	1375870-8									
18	1375870-7									
16	1375870-6									
14	1375870-5									
12	1375870-4									
10	1375870-3									
8	1375870-2									
6	1375870-1									

THIS DRAWING IS A CONTROLLED DOCUMENT.

DIMENSIONS: mm

TOLERANCES UNLESS OTHERWISE SPECIFIED:

9 PLC	±
5 PLC	±
4 PLC	±
ANGLES	±

MATERIAL: SEE TABLE

FINISH: SEE TABLE

THIS DRAWING IS A CONTROLLED DOCUMENT.

DRAWN BY: W. DAVIS

CHECKED BY: W. DAVIS

DATE: 07JUN2000

DATE: 07JUN2000

NAME: W. DAVIS

PRODUCT SPEC: 108-1955

APPLICATION SPEC: 114-13051

WEIGHT: -

CUSTOMER DRAWING

SCALE: 20:1

SHEET: 1 OF 1

REV: B2

NO. OF POS.: N

PART NUMBER: A100779C-1375870

TE Connectivity

AMPMODU MICRO INTERCONNECT RECEPTACLE ASSEMBLY

X-ON Electronics

Largest Supplier of Electrical and Electronic Components

Click to view similar products for [Headers & Wire Housings](#) category:

Click to view products by [TE Connectivity](#) manufacturer:

Other Similar products are found below :

[95000-104TRLF](#) [10135584-644402LF](#) [DF62W-EP2022PCA](#) [95000-106TRLF](#) [DF62W-2022SCA](#) [DF62W-EP2022PC](#) [2203348](#) [DF62W-2022SC](#) [1084018](#) [1029039](#) [1084017](#) [802-10-012-10-002000](#) [1112640](#) [1112639](#) [000-34000](#) [0009482033](#) [0009507031](#) [57102-S06-03LF](#) [57202-S52-04LF](#) [PCN6-15S-2.5E](#) [0039019024](#) [58102-G61-06LF](#) [582553-1](#) [0009508121](#) [0050291907](#) [018731A](#) [LY20-4P-DT1-P1E-BR](#) [02.125.8002.8](#) [60101931](#) [60598-1 \(Cut Strip\)](#) [M1625-3R/100](#) [61062-3](#) [61082-181009](#) [636-1427](#) [638009-1](#) [641938-9](#) [641991-4](#) [644168-1](#) [647662-1](#) [65039-019ELF](#) [65817-002LF](#) [65817-015LF](#) [65863-015LF](#) [66207-023LF](#) [67016-026LF](#) [67046-001LF](#) [67095-007LF](#) [68002-116](#) [68016-236H](#) [68648-049](#)