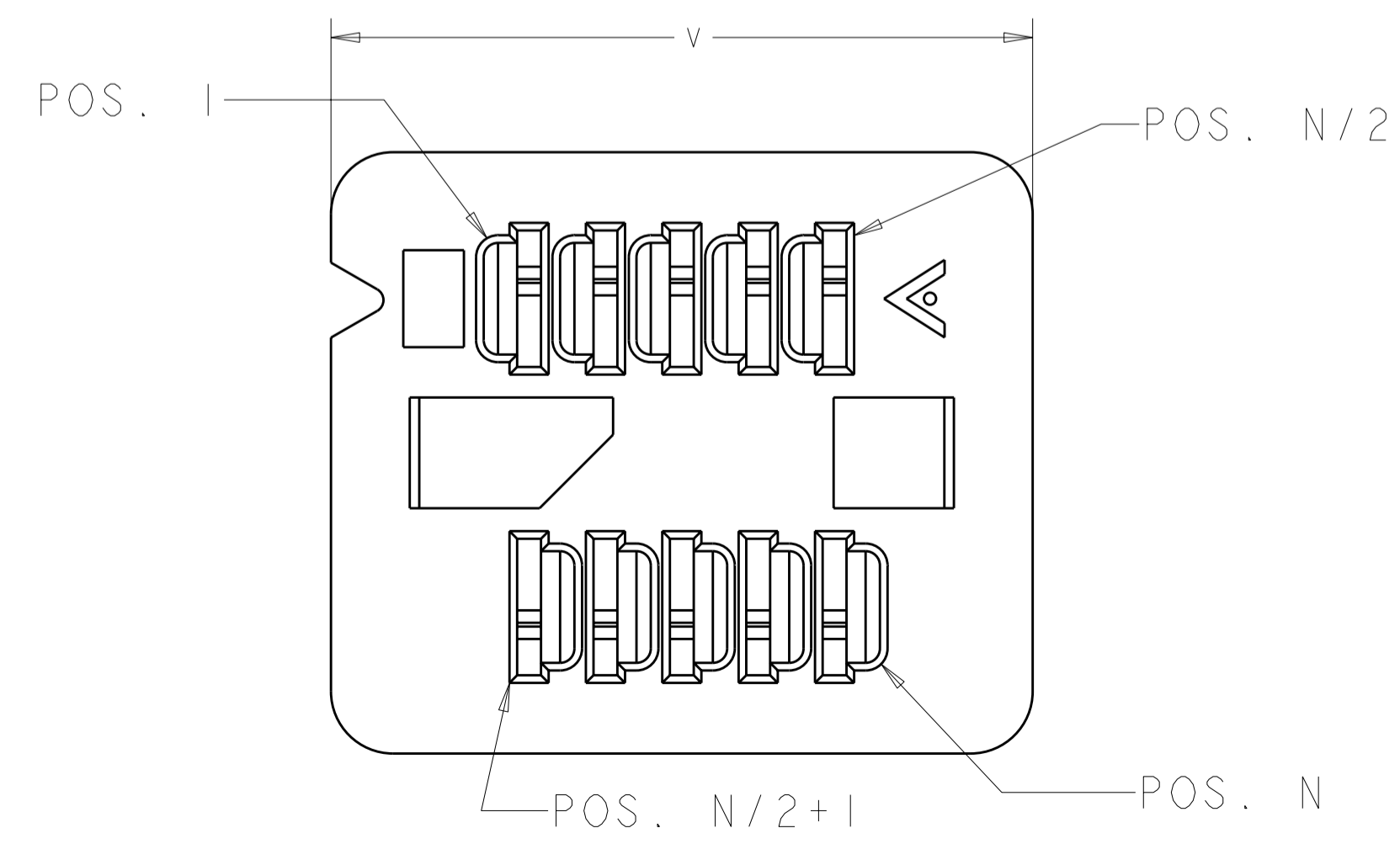
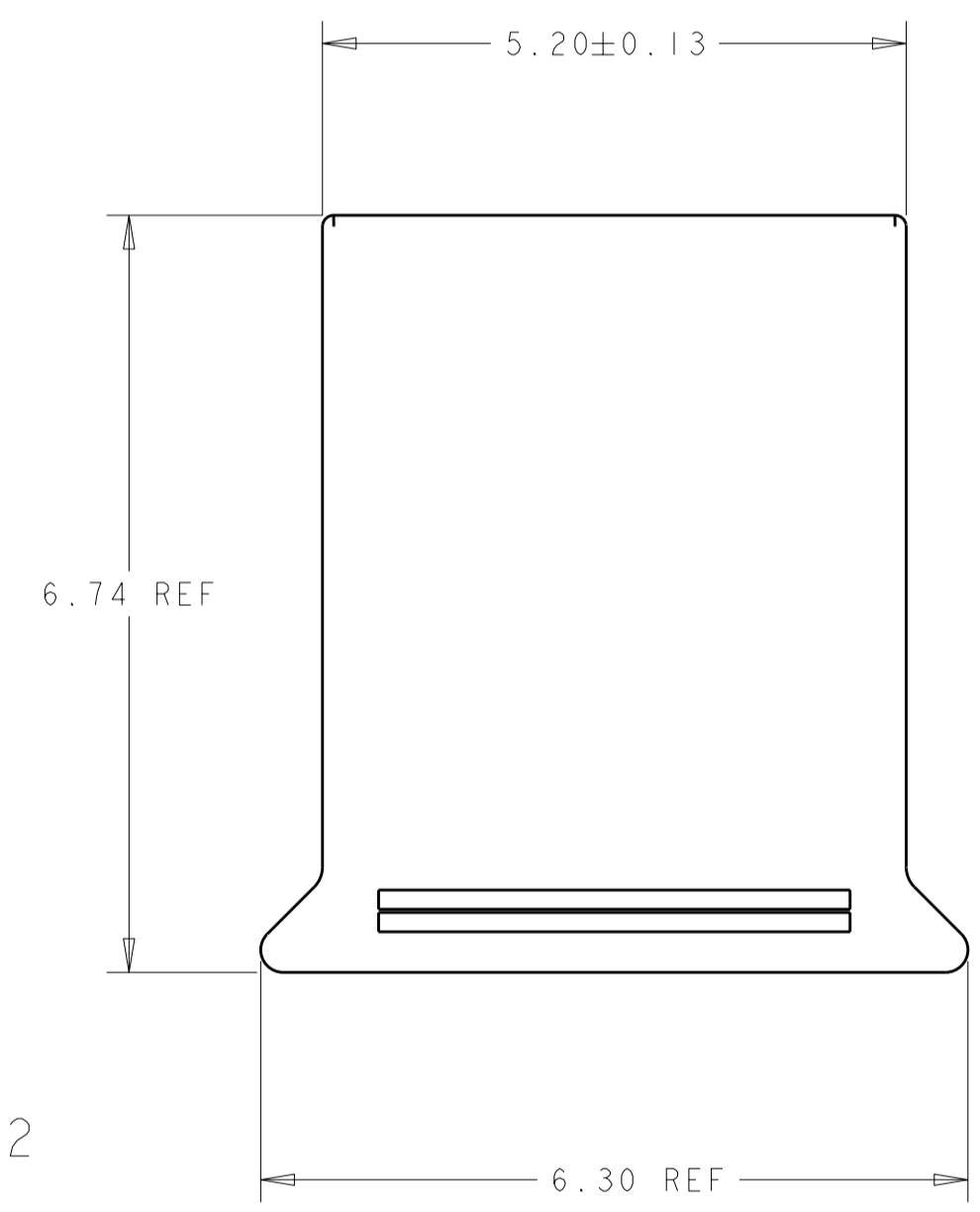
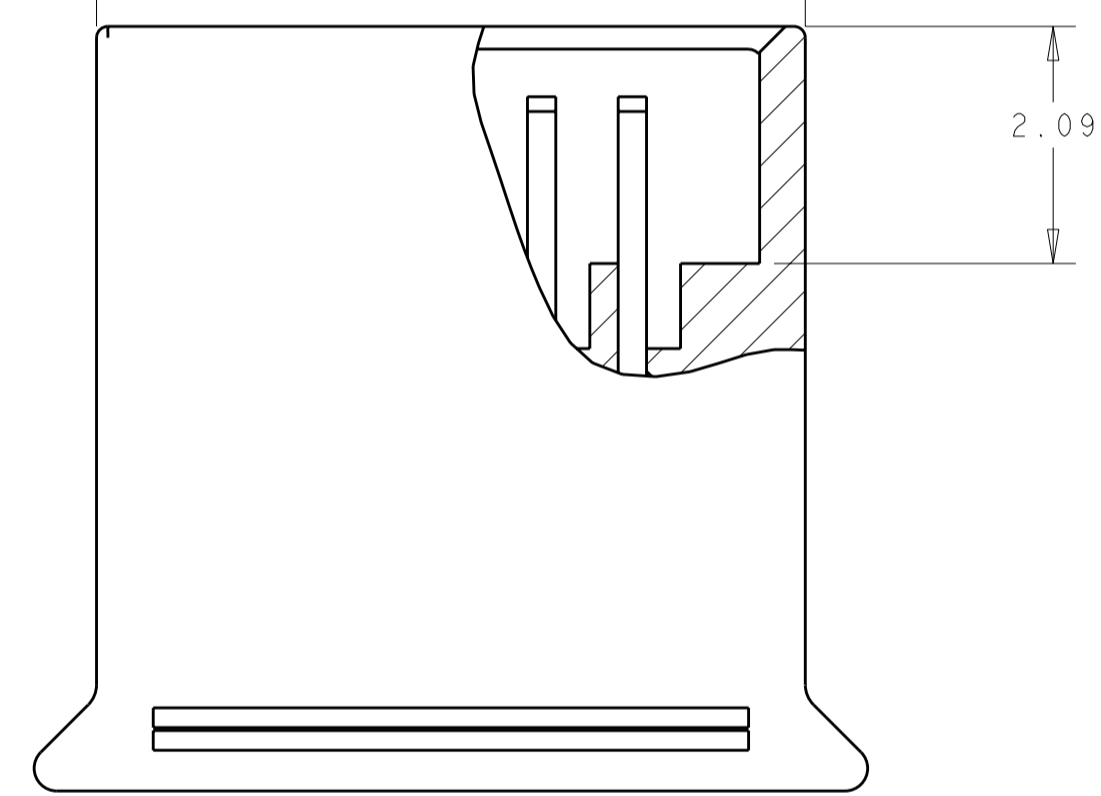
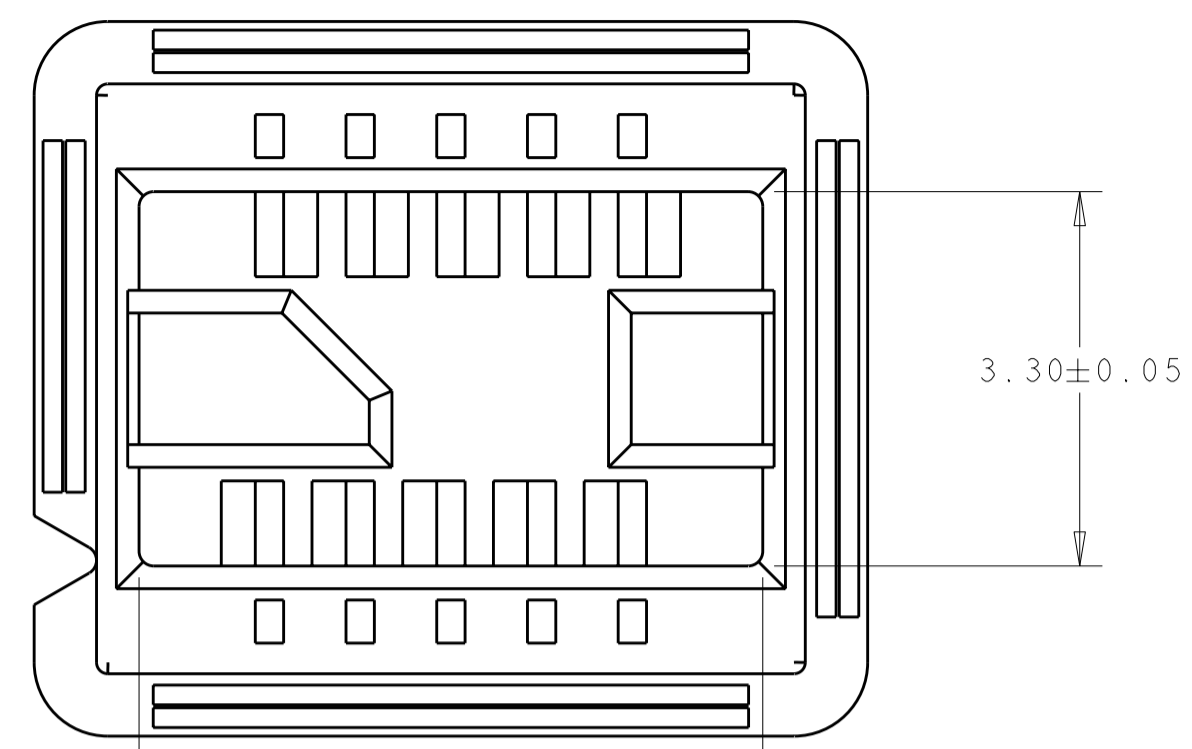


THIS DRAWING IS UNPUBLISHED. RELEASED FOR PUBLICATION 20  
 © COPYRIGHT 20 BY - ALL RIGHTS RESERVED.

| REVISIONS |     |                           |           |        |
|-----------|-----|---------------------------|-----------|--------|
| P         | LTR | DESCRIPTION               | DATE      | APVD   |
|           | A2  | REVISED PER ECO-11-005140 | 23MAR2011 | RK HMR |
|           |     |                           |           |        |
|           |     |                           |           |        |



- 1 UL94 V-0 RATED LCP, COLOR: NATURAL.
- 2 OBSOLETE PARTS: OBSOLETE CIS STREAMLINING PER D.RENAUD/D.SINISI

|            | V     | W     | Z     | NO. OF POS N | PART NUMBER |
|------------|-------|-------|-------|--------------|-------------|
| 2 OBSOLETE | 19.35 | 18.25 | 17.50 | 40           | 1-1375875-8 |
| 2 OBSOLETE | 18.55 | 17.45 | 16.70 | 38           | 1-1375875-7 |
| 2 OBSOLETE | 17.75 | 16.65 | 15.90 | 36           | 1-1375875-6 |
| 2 OBSOLETE | 16.95 | 15.85 | 15.10 | 34           | 1-1375875-5 |
| 2 OBSOLETE | 16.15 | 15.05 | 14.30 | 32           | 1-1375875-4 |
| 2 OBSOLETE | 15.35 | 14.25 | 13.50 | 30           | 1-1375875-3 |
| 2 OBSOLETE | 14.55 | 13.45 | 12.70 | 28           | 1-1375875-2 |
| 2 OBSOLETE | 13.75 | 12.65 | 11.90 | 26           | 1-1375875-1 |
| 2 OBSOLETE | 12.95 | 11.85 | 11.10 | 24           | 1-1375875-0 |
| 2 OBSOLETE | 12.15 | 11.05 | 10.30 | 22           | 1375875-9   |
|            | 11.35 | 10.25 | 9.50  | 20           | 1375875-8   |
|            | 10.55 | 9.45  | 8.70  | 18           | 1375875-7   |
|            | 9.75  | 8.65  | 7.90  | 16           | 1375875-6   |
|            | 8.95  | 7.85  | 7.10  | 14           | 1375875-5   |
|            | 8.15  | 7.05  | 6.30  | 12           | 1375875-4   |
|            | 7.35  | 6.25  | 5.50  | 10           | 1375875-3   |
|            | 6.55  | 5.45  | 4.70  | 8            | 1375875-2   |
|            | 5.75  | 4.65  | 3.90  | 6            | 1375875-1   |

THIS DRAWING IS A CONTROLLED DOCUMENT.

DWN: K. KOEGEL 03JUN2000  
 CHK: W. DAVIS 03JUN2000  
 APVD: -

TE Connectivity

AMPMODU MICRO INTERCONNECT PLUG HOUSING

SIZE: A2 CAGE CODE: 20779 DRAWING NO: 1375875 RESTRICTED TO: -

SCALE: 15:1 SHEET 1 OF 1 REV: A2

CUSTOMER DRAWING

## X-ON Electronics

Largest Supplier of Electrical and Electronic Components

*Click to view similar products for [Headers & Wire Housings](#) category:*

*Click to view products by [TE Connectivity](#) manufacturer:*

Other Similar products are found below :

[95000-104TRLF](#) [10135584-644402LF](#) [DF62W-EP2022PCA](#) [95000-106TRLF](#) [DF62W-2022SCA](#) [DF62W-EP2022PC](#) [2203348](#) [DF62W-2022SC](#) [1084018](#) [1029039](#) [1084017](#) [802-10-012-10-002000](#) [1112640](#) [1112639](#) [000-34000](#) [0009482033](#) [0009507031](#) [57102-S06-03LF](#) [57202-S52-04LF](#) [PCN6-15S-2.5E](#) [0039019024](#) [58102-G61-06LF](#) [582553-1](#) [0009508121](#) [0050291907](#) [018731A](#) [LY20-4P-DT1-P1E-BR](#) [02.125.8002.8](#) [60101931](#) [60598-1 \(Cut Strip\)](#) [M1625-3R/100](#) [61062-3](#) [61082-181009](#) [636-1427](#) [638009-1](#) [641938-9](#) [641991-4](#) [644168-1](#) [647662-1](#) [65039-019ELF](#) [65817-002LF](#) [65817-015LF](#) [65863-015LF](#) [66207-023LF](#) [67016-026LF](#) [67046-001LF](#) [67095-007LF](#) [68002-116](#) [68016-236H](#) [68648-049](#)