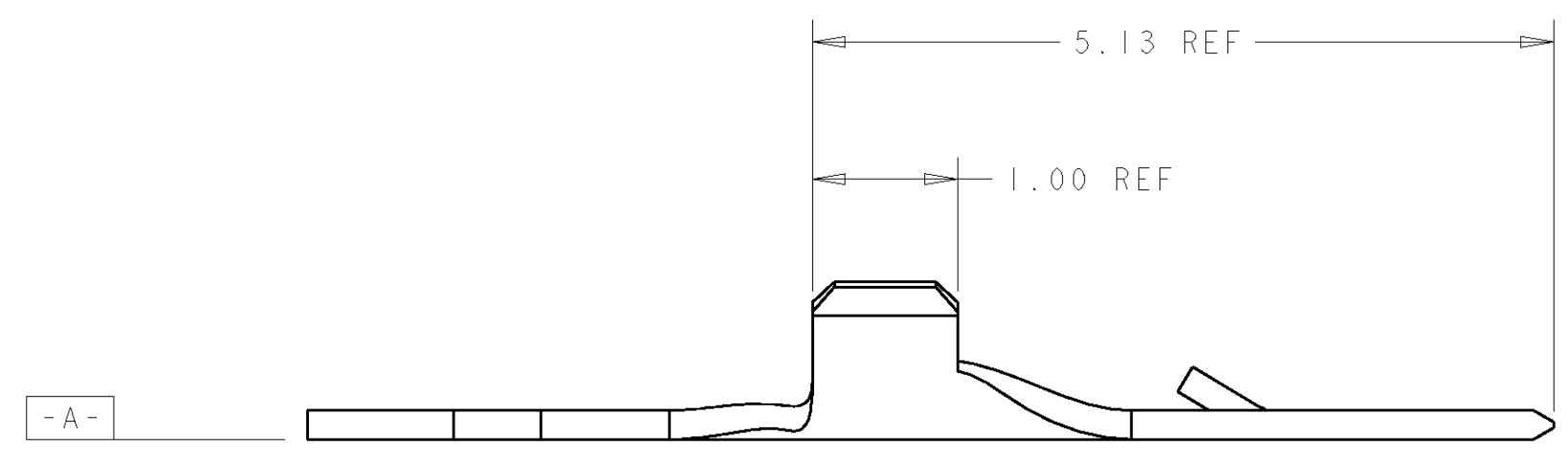
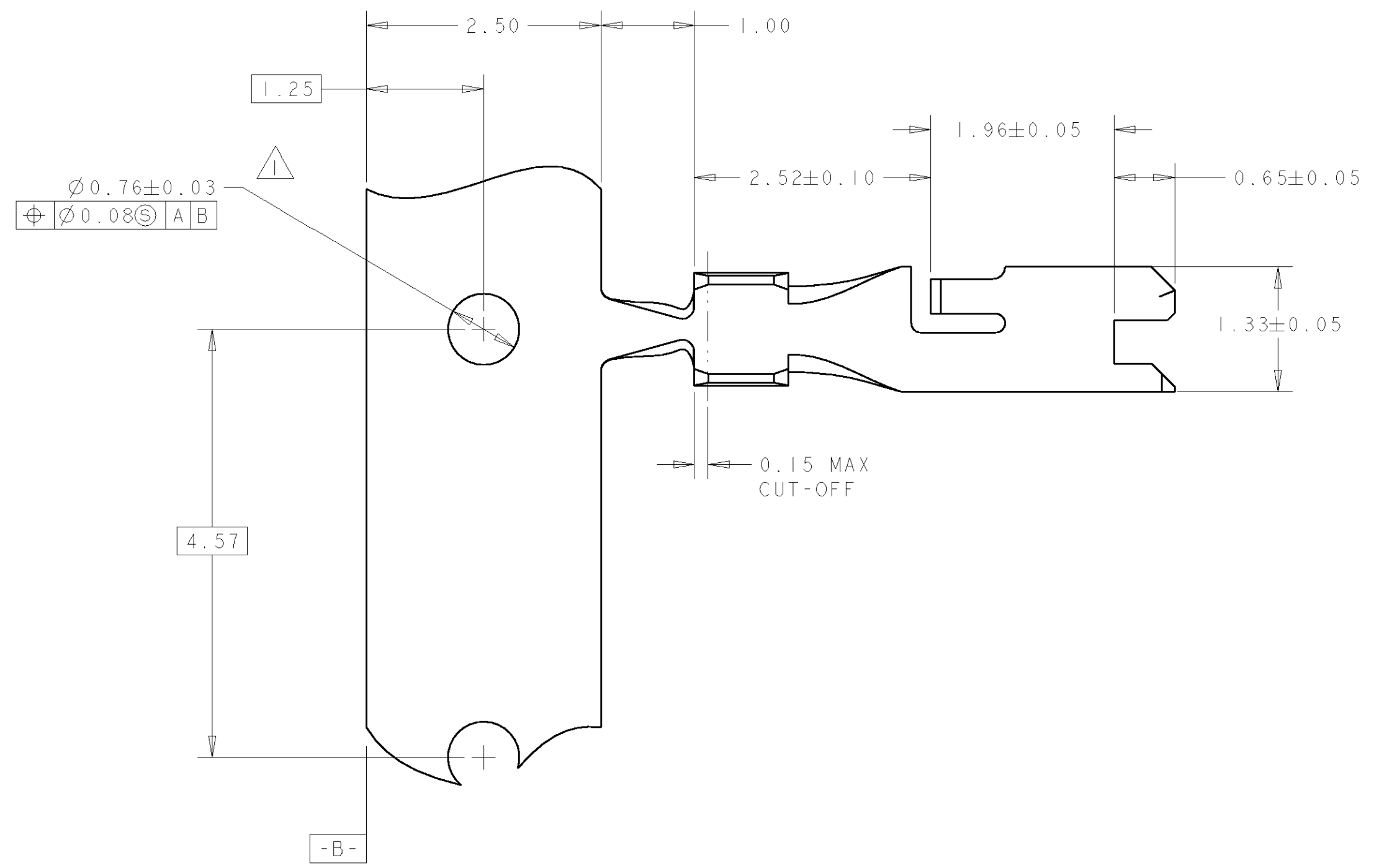
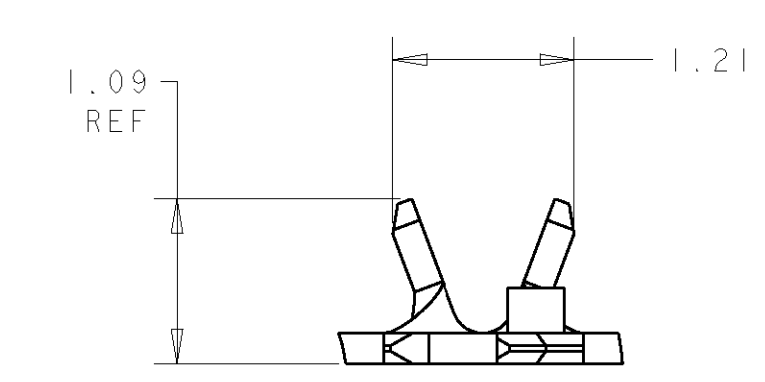


THIS DRAWING IS UNPUBLISHED. RELEASED FOR PUBLICATION .19
 © COPYRIGHT 19 BY AMP INCORPORATED. ALL RIGHTS RESERVED.

LOC	DIST	REVISIONS					
		P	LTR	DESCRIPTION	DATE	DWN	APVD
AD	00		O	REV PER 0G3C-0326-01	17DEC01	RB	JM
			A	REV PER 0G3C-0367-03	27OCT03	RB	JM
			B	0G3C-0490-04	20FEB2006	RB	DR



- 1 APPLIES OVER ANY FIVE FEEDS.
- 2 MATERIAL: PHOSPHOR BRONZE.
- 3 0.76 μm MIN GOLD IN MATING AREA.
2.54 μm - 5.08 μm TIN-LEAD IN CRIMP AREA.
BOTH OVER 1.27 μm MIN NICKEL ON ENTIRE STOCK.
- 4. RECOMMENED WIRE: 28 AWG WITH MAX INSULATION DIAMETER OF 0.61.
- 5 0.76 μm MIN GOLD IN MATING AREA.
2.54 μm - 5.08 μm TIN IN CRIMP AREA.
BOTH OVER 1.27 μm MIN NICKEL ON ENTIRE STOCK.



5	5-1375876-2
3	1375876-2
FINISH	PART NUMBER

THIS DRAWING IS A CONTROLLED DOCUMENT FOR AMP INCORPORATED. IT IS SUBJECT TO CHANGE AND THE CONTROLLING ENGINEERING ORGANIZATION SHOULD BE CONTACTED FOR THE LATEST REVISION.		DWN K. KOEGEL 06JUN2000	Tyco Electronics Harrisburg, PA 17105-3608
		CHK W. DAVIS 06JUN2000	
DIMENSIONS:	TOLERANCES UNLESS OTHERWISE SPECIFIED:	APVD -	NAME AMPMODU MICRO INTERCONNECT PLUG CONTACT
mm	0 PLC ± 1 PLC ± 2 PLC ±0.13 3 PLC ± 4 PLC ± ANGLES ± FINISH	PRODUCT SPEC 108-1955	SIZE A2
MATERIAL 2	SEE TABLE	APPLICATION SPEC 114-13051	CAGE CODE 00779
		WEIGHT -	DRAWING NO 1375876
		CUSTOMER DRAWING	SCALE 20:1
			SHEET 1 OF 1 REV B

X-ON Electronics

Largest Supplier of Electrical and Electronic Components

Click to view similar products for [Headers & Wire Housings](#) category:

Click to view products by [TE Connectivity](#) manufacturer:

Other Similar products are found below :

[892-18-020-10-001101](#) [58102-G61-06LF](#) [582553-1](#) [0009485154](#) [009176003701906](#) [0050291907](#) [LY20-4P-DT1-P1E-BR](#) [02.125.8002.8](#)
[609-3404](#) [61062-3](#) [61082-181009](#) [622-3653LF](#) [63453-116](#) [636-1030](#) [636-1427](#) [636-3427](#) [636-4007](#) [641938-9](#) [641991-4](#) [644827-2](#) [65817-](#)
[010LF](#) [65817-015LF](#) [65863-015LF](#) [66207-023LF](#) [67095-007LF](#) [67601157](#) [68645-018](#) [68648-049](#) [70.362.1628.0](#) [70-4210](#) [70-4226B](#) [70-](#)
[4853B](#) [707-5020](#) [707-5028](#) [71.350.2428.0](#) [71918-208LF](#) [71961-016LF](#) [733-134](#) [733-162](#) [754199-000](#) [760-3052](#) [79531-3000](#) [FCN-](#)
[360C032-B](#) [FCN-367T-T012/H](#) [FCN-723D010/2](#) [80.063.4001.1](#) [800-90-001-10-001000](#) [800-90-010-10-002000](#) [801-43-002-10-013000](#)
[801-43-006-10-002000](#)