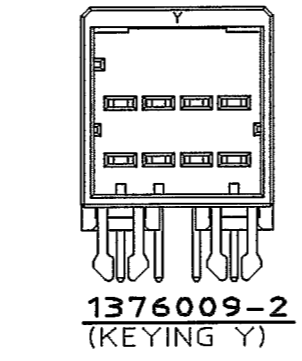
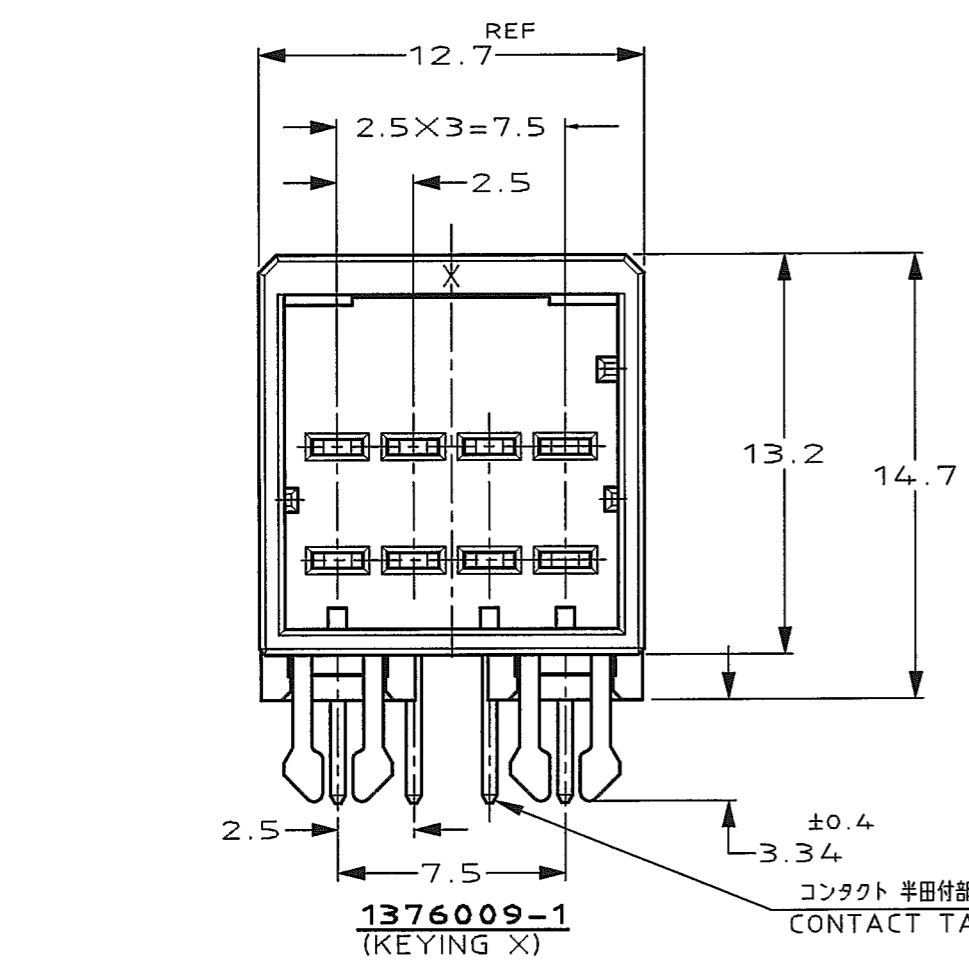
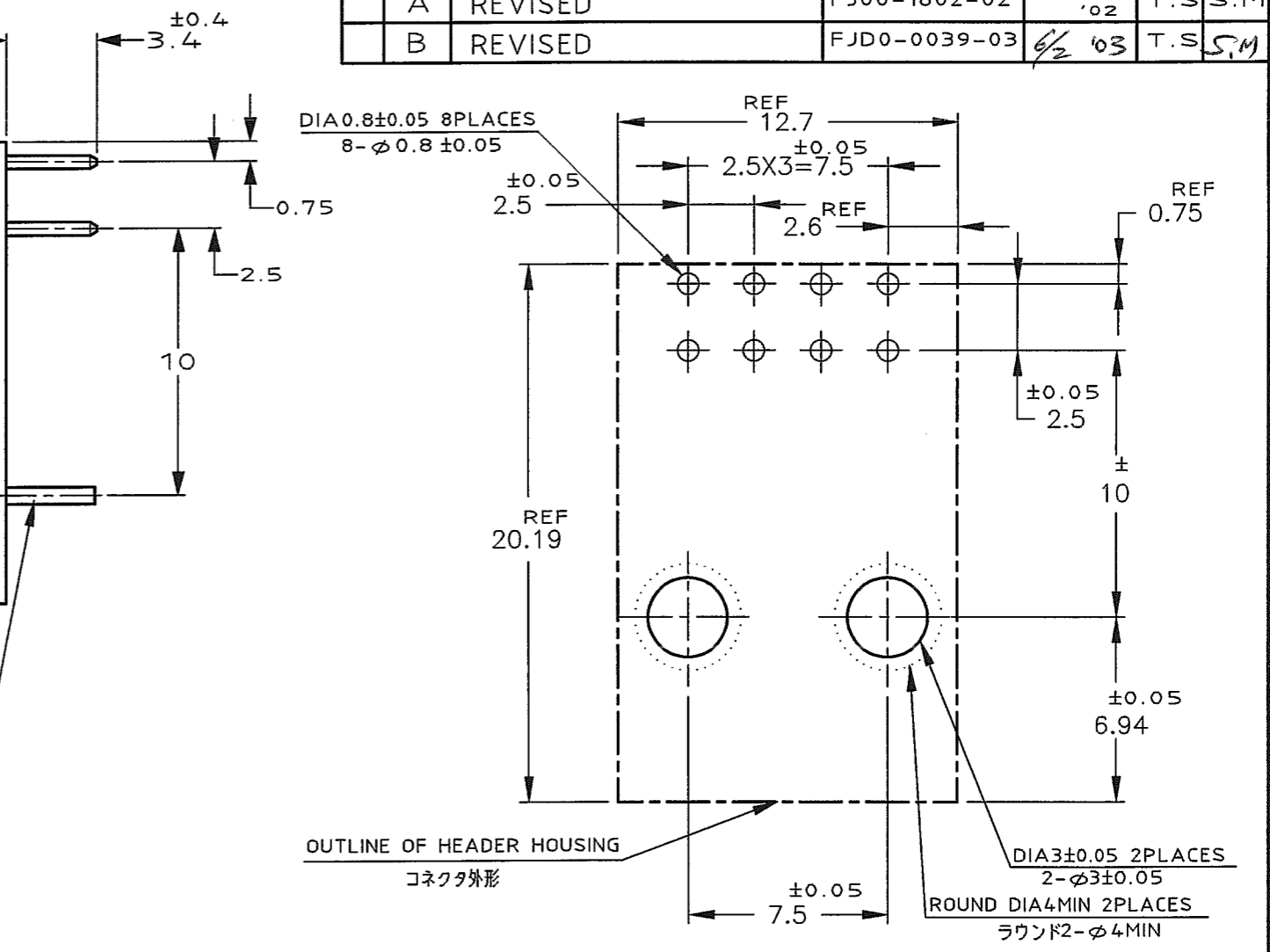
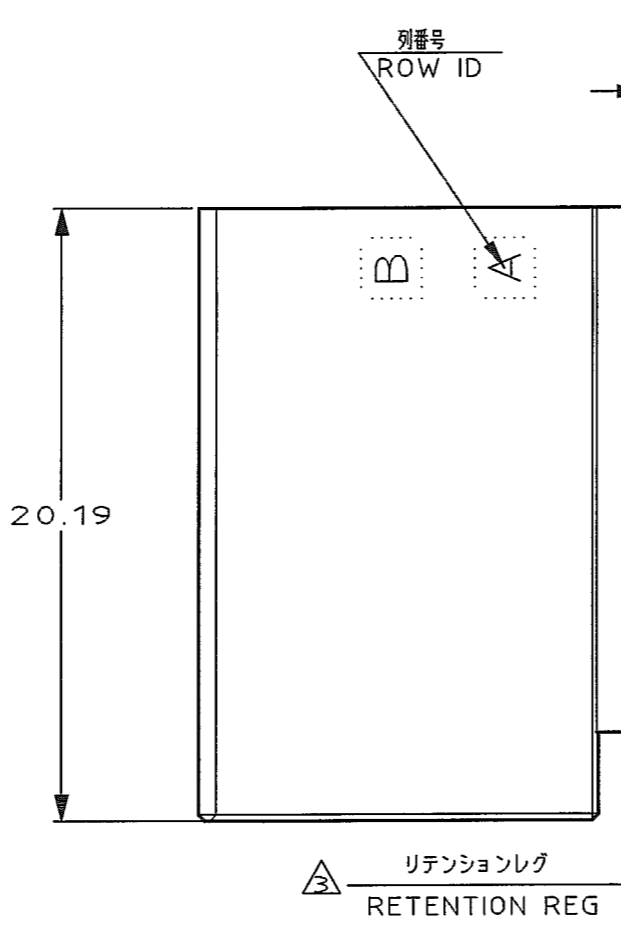
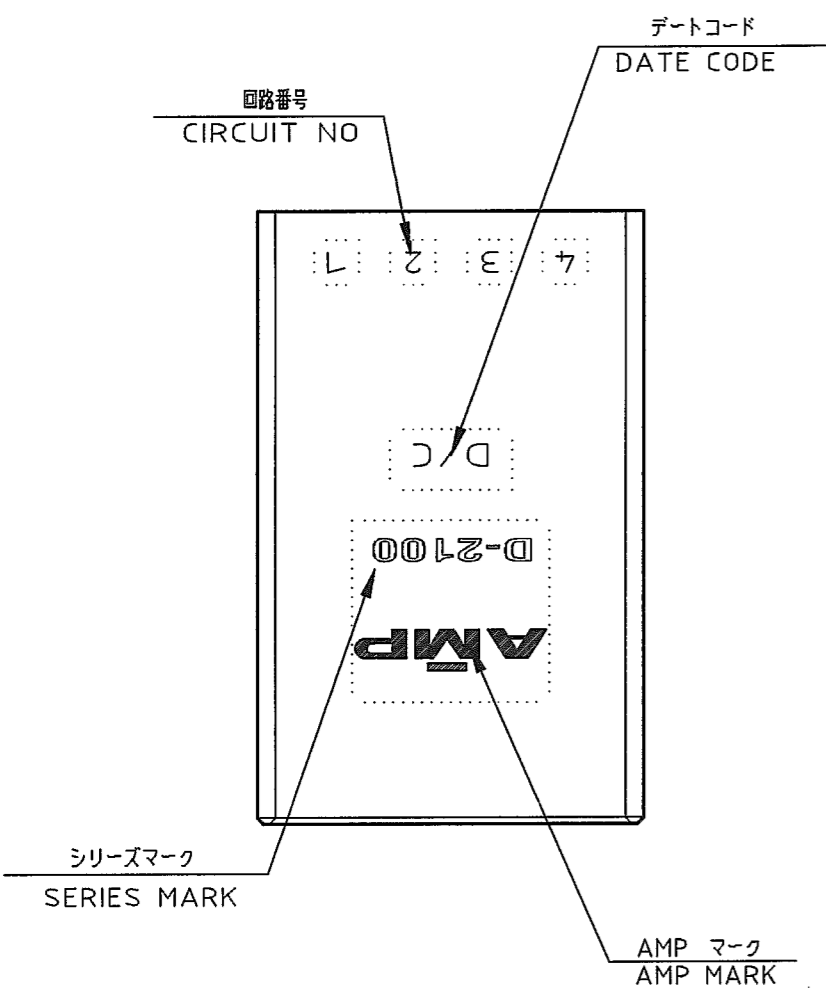


THIS DRAWING IS UNPUBLISHED. RELEASED FOR PUBLICATION, 1998.  
 © COPYRIGHT 1998 BY AMP INCORPORATED, ALL RIGHTS RESERVED.

LOC		DIST		REVISIONS				
J				変更				
P	LTR	DESCRIPTION		ECN	DATE	DWN	APVD	
	O	RELEASED		FJ00-1755-99	28.FEB.00	K.I.H		
	A	REVISED		FJ00-1802-02	5.SEP.02	T.S	S.M	
	B	REVISED		FJD0-0039-03	6/2 '03	T.S	S.M	



推奨基板取付け寸法 (公差: ±0.05)  
 PC 基板厚: 1.6±0.3  
 (コネクタ搭載面)

RECOMENDED PC BOARD HOLE PATTERN (TOL: ±0.05)  
 PC BOARD THICKNESS: 1.6±0.3  
 (CONNECTOR MOUNT SIDE)

NOTES

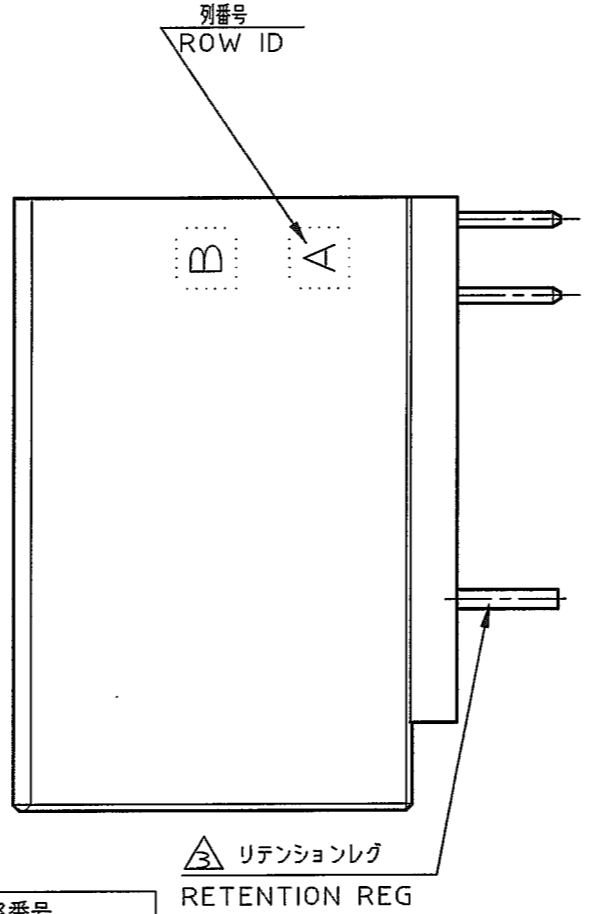
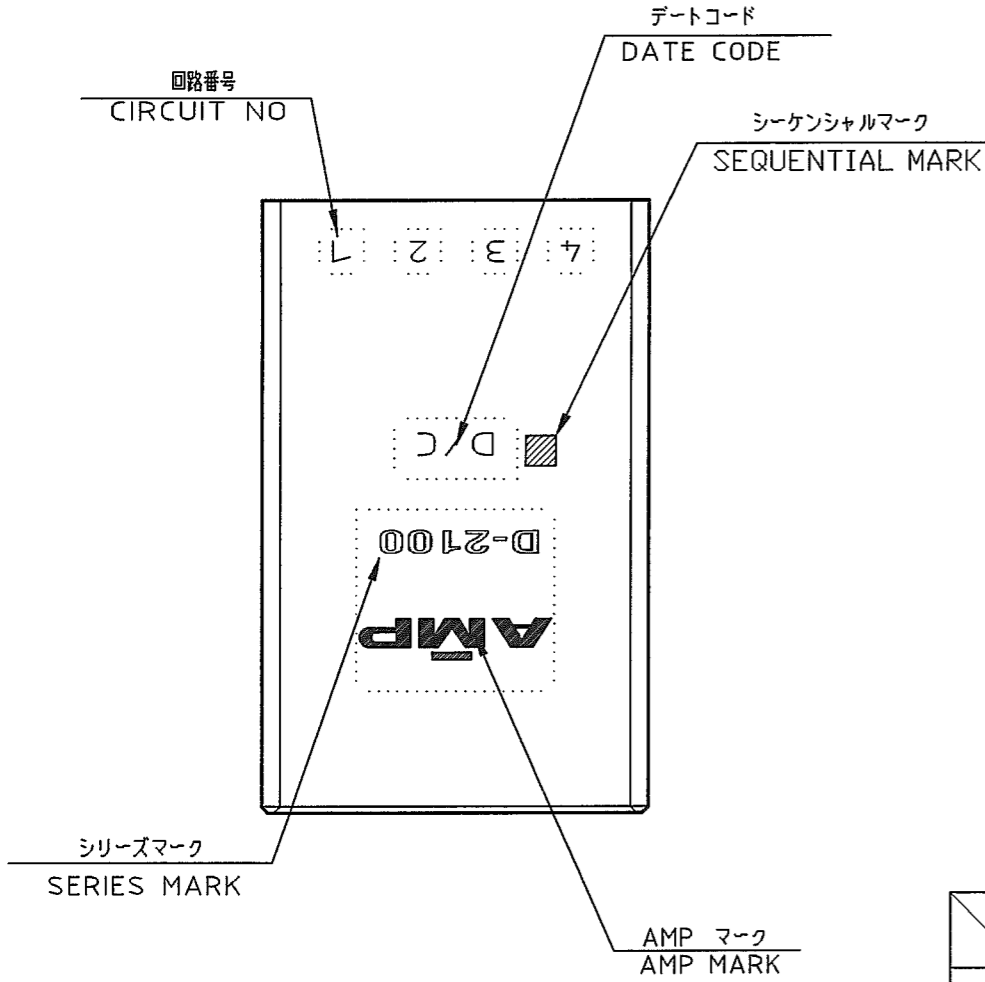
- MATERIAL: HOUSING: GLASS FILLED THERMO PLASTIC, POLYESTER (94V-0), COLOR: BLACK  
 TAB CONTACT: COPPER ALLOY  
 RETENTION LEG: BRASS
- FINISH (CONTACT AREA): 0.38μm MIN GOLD PLATING OVER NI PLATING
- FINISH (RETENTION LEG): TIN PLATED (CONTACT TAIL) OVER NICKEL

注記

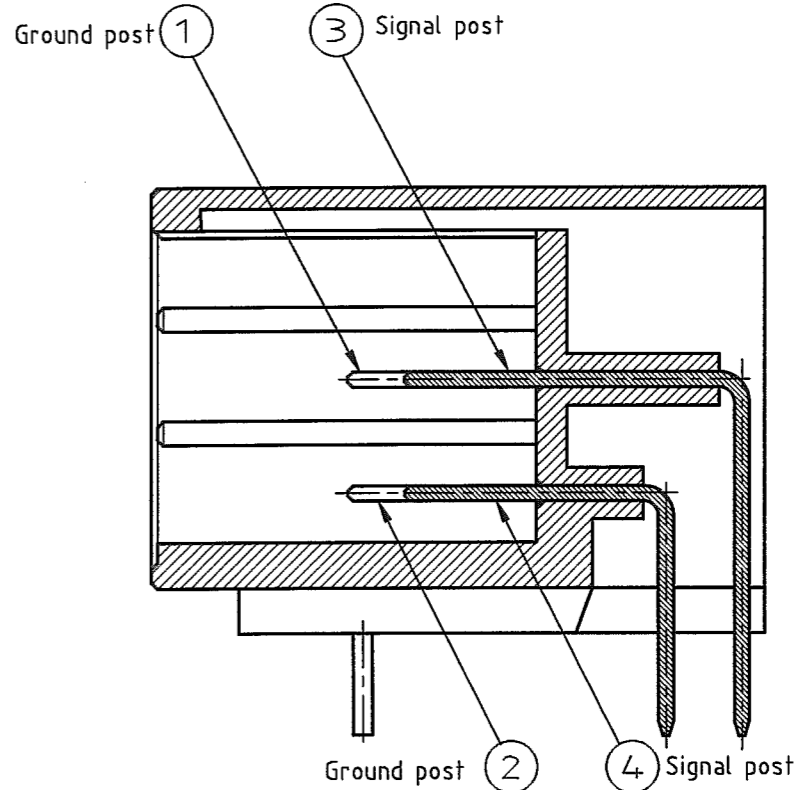
- 材料: ハウジング: ガラス入り熱可塑性ポリエステル樹脂 (94V-0), 色: 黒  
 タブ コンタクト: 銅合金  
 リテンション レグ: 黄銅
- めっき: コンタクト: 全面Ni下地  
 接触部: 0.38μm MIN金めっき
- めっき: リテンションレグとコンタクト半田付部  
 : ニッケル下地の上にスズめっき

THIS DRAWING IS A CONTROLLED DOCUMENT FOR AMP INCORPORATED. IT IS SUBJECT TO CHANGE AND THE CONTROLLING ENGINEERING ORGANIZATION SHOULD BE CONTACTED FOR THE LATEST REVISION.		CHK K.IKEDA 24/FEB/'00	DWN 24/FEB/'00			Tyco Electronics AMP K.K. Kawasaki, Japan	
DIMENSIONS: 単位 寸 mm		CHK Y.KATO 28/FEB/'00	APVD I.HASEGAWA 28/FEB/'00			NAME 2列 ヘッダーアセンブリー 8P (水平タイプ) DOUBLE ROW HEADER ASS'Y 8P ("H"TYPE) <DYNAMIC D-2100D>	
TOLERANCES UNLESS OTHERWISE SPECIFIED		PRODUCT SPEC 108-5619		APPLICATION SPEC 114-5258		RESTRICTED TO	
MATERIAL 材料 注記参照 SEE NOTES		FINISH 仕上 注記参照 SEE NOTES		WEIGHT		SIZE A3	CAGE CODE 00779
		CUSTOMER DRAWING		DRAWING NO C-1376009		SCALE 4-1	
				SHEET 1		OF 2	
				REV B			

LOC		DIST		REVISIONS						
J				P	LTR	DESCRIPTION	ECN	DATE	DWN	APVD
SEE 1 OF 2										



1-1376009-1; AS SHOWN SEQUENTIAL TYPE



		回路番号			
		1	2	3	4
列番号	B	③ Signal	① Ground	③ Signal	③ Signal
	A	④ Signal	② Ground	④ Signal	④ Signal

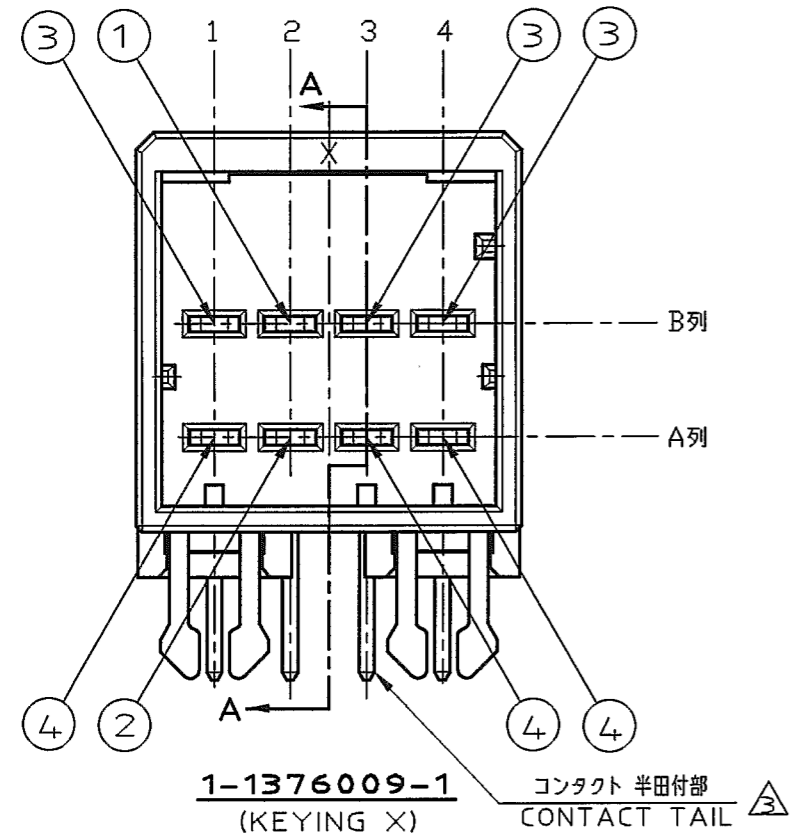
POINT OF SEQUENTIAL  
**1-1376009-1**  
 (KEYING X)

NOTES

- 1. MATERIAL: HOUSING: GLASS FILLED THERMO PLASTIC POLYESTER(94V-0), COLOR: BLACK
- TAB CONTACT: COPPER ALLOY
- RETENTION LEG: BRASS
- ② FINISH (CONTACT AREA): 0.38μm MIN GOLD PLATING OVER NI PLATING
- ③ FINISH (RETENTION LEG): TIN PLATED (CONTACT TAIL) OVER NICKEL

注記

- 1. 材料: ハウジング: ガラス入り熱可塑性ポリエステル樹脂 (94V-0), 色: 黒
- タブ コンタクト: 銅合金
- リテンション レグ: 黄銅
- ② めっき: コンタクト: 全面Ni下地 接触部: 0.38μm MIN金めっき
- ③ めっき: リテンションレグとコンタクト半田付部: ニッケル下地の上にスズめっき



THIS DRAWING IS A CONTROLLED DOCUMENT FOR AMP INCORPORATED. IT IS SUBJECT TO CHANGE AND THE CONTROLLING ENGINEERING ORGANIZATION SHOULD BE CONTACTED FOR THE LATEST REVISION.		DWN K.IKEDA 24/FEB/'00		Tyco Electronics AMP K.K. Kawasaki, Japan	
DIMENSIONS: 単位 特 mm		CHK Y.KATO 28/FEB/'00		NAME 2列 ヘッダーアセンブリー 8P	
TOLERANCES UNLESS OTHERWISE SPECIFIED		APVD I.HASEGAWA 28/FEB/'00	<水平タイプ> DOUBLE ROW HEADER ASS'Y 8P ("H"TYPE) <DYNAMIC D-2100D>		
MATERIAL 材料 注記参照 SEE NOTES		PRODUCT SPEC 108-5619	SIZE A3	CAGE CODE 00779	DRAWING NO C=1376009
FINISH 仕上 注記参照 SEE NOTES		APPLICATION SPEC 114-5258	RESTRICTED TO		
CUSTOMER DRAWING		WEIGHT	SCALE 4-1 SHEET 2 OF 2 REV B		

## X-ON Electronics

Largest Supplier of Electrical and Electronic Components

*Click to view similar products for [Headers & Wire Housings](#) category:*

*Click to view products by [TE Connectivity](#) manufacturer:*

Other Similar products are found below :

[892-18-020-10-001101](#) [58102-G61-06LF](#) [582553-1](#) [0009485154](#) [009176003701906](#) [0050291907](#) [LY20-4P-DT1-P1E-BR](#) [02.125.8002.8](#)  
[609-3404](#) [61062-3](#) [61082-181009](#) [622-3653LF](#) [63453-116](#) [636-1030](#) [636-1427](#) [636-3427](#) [636-4007](#) [641938-9](#) [641991-4](#) [644827-2](#) [65817-](#)  
[010LF](#) [65817-015LF](#) [65863-015LF](#) [66207-023LF](#) [67095-007LF](#) [67601157](#) [68645-018](#) [68648-049](#) [70.362.1628.0](#) [70-4210](#) [70-4226B](#) [70-](#)  
[4853B](#) [707-5020](#) [707-5028](#) [71.350.2428.0](#) [71918-208LF](#) [71961-016LF](#) [733-134](#) [733-162](#) [754199-000](#) [760-3052](#) [79531-3000](#) [FCN-](#)  
[360C032-B](#) [FCN-367T-T012/H](#) [FCN-723D010/2](#) [80.063.4001.1](#) [800-90-010-10-002000](#) [801-43-002-10-013000](#) [801-43-006-10-002000](#)  
[801-93-011-10-001000](#)