

4

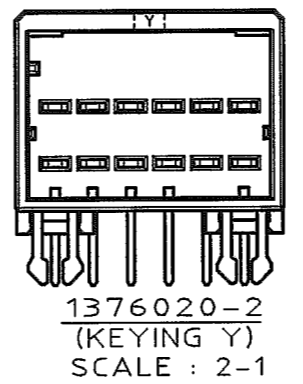
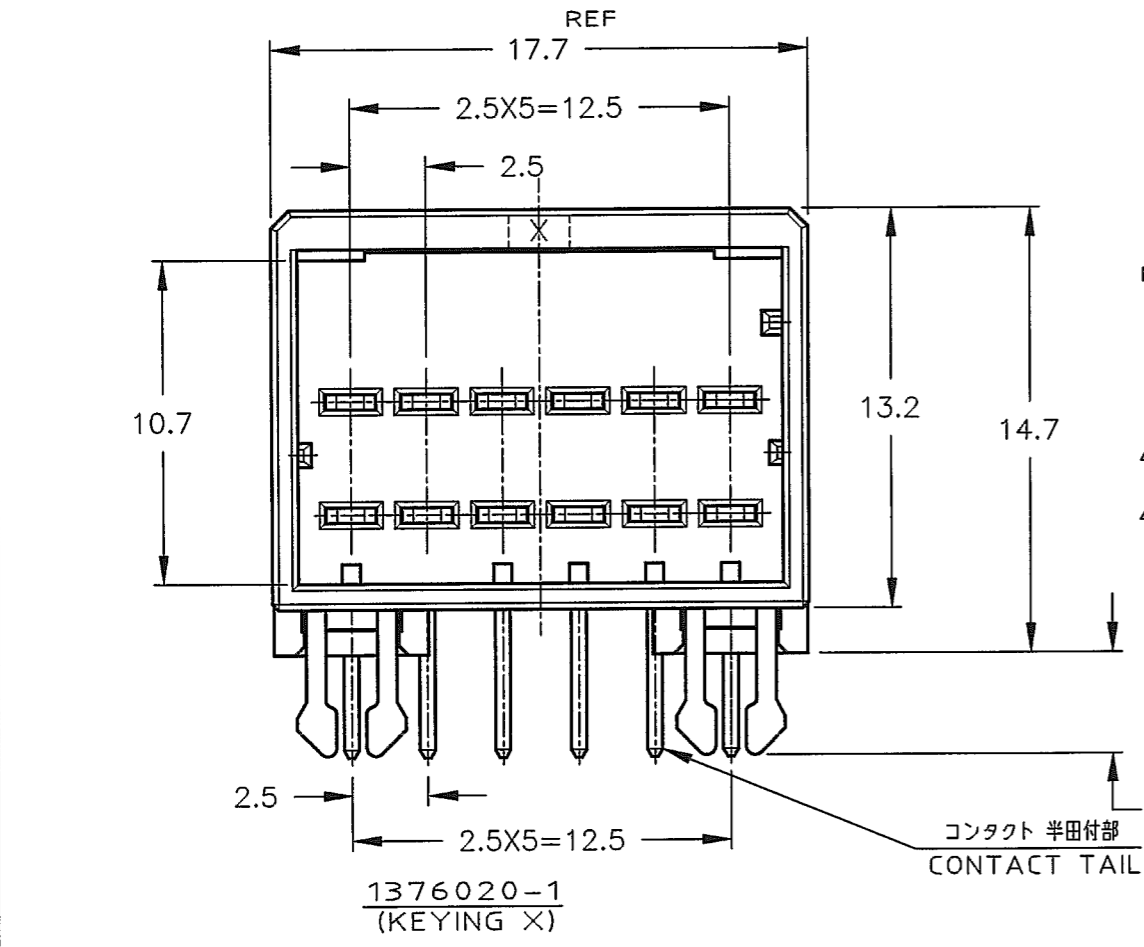
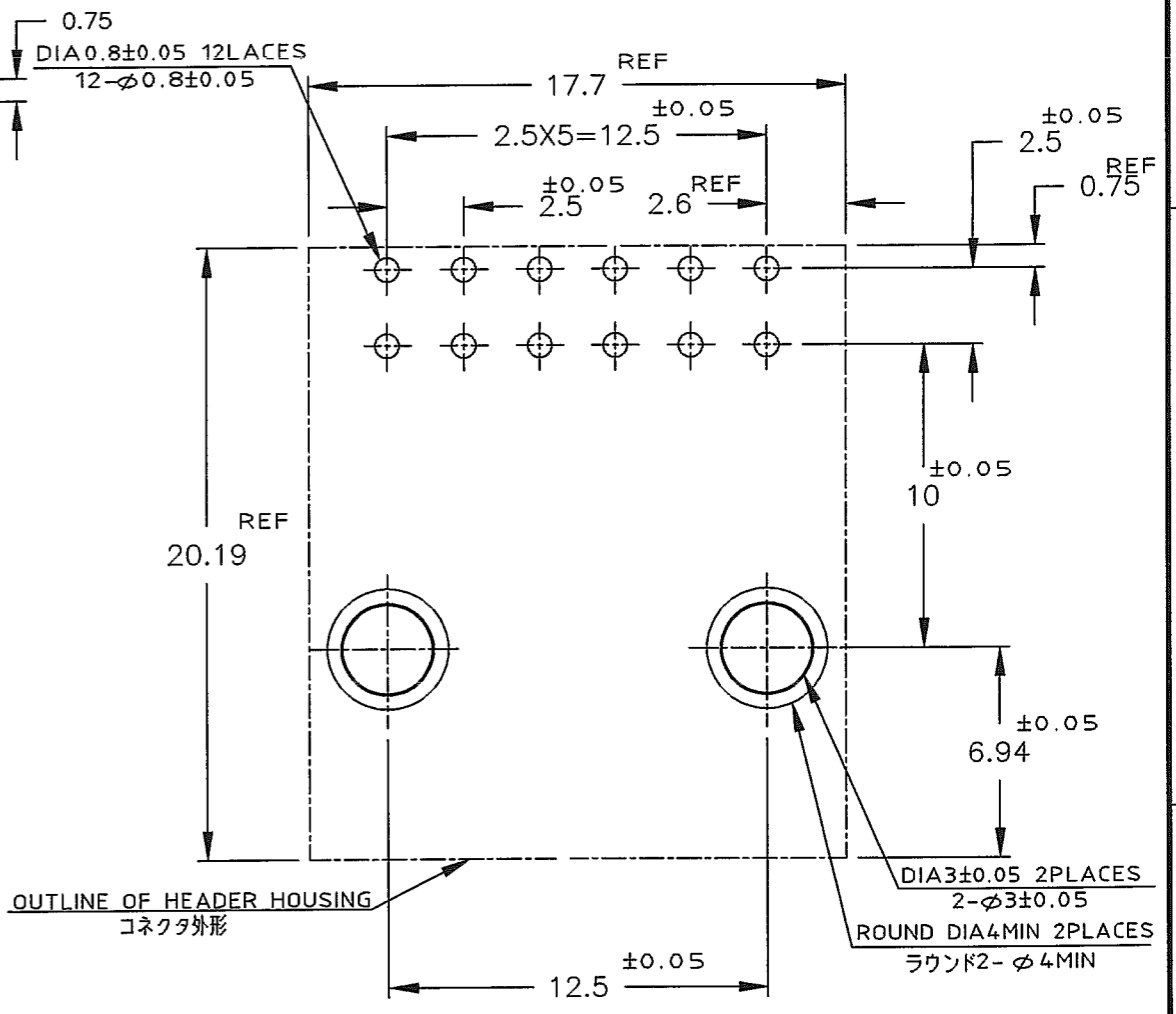
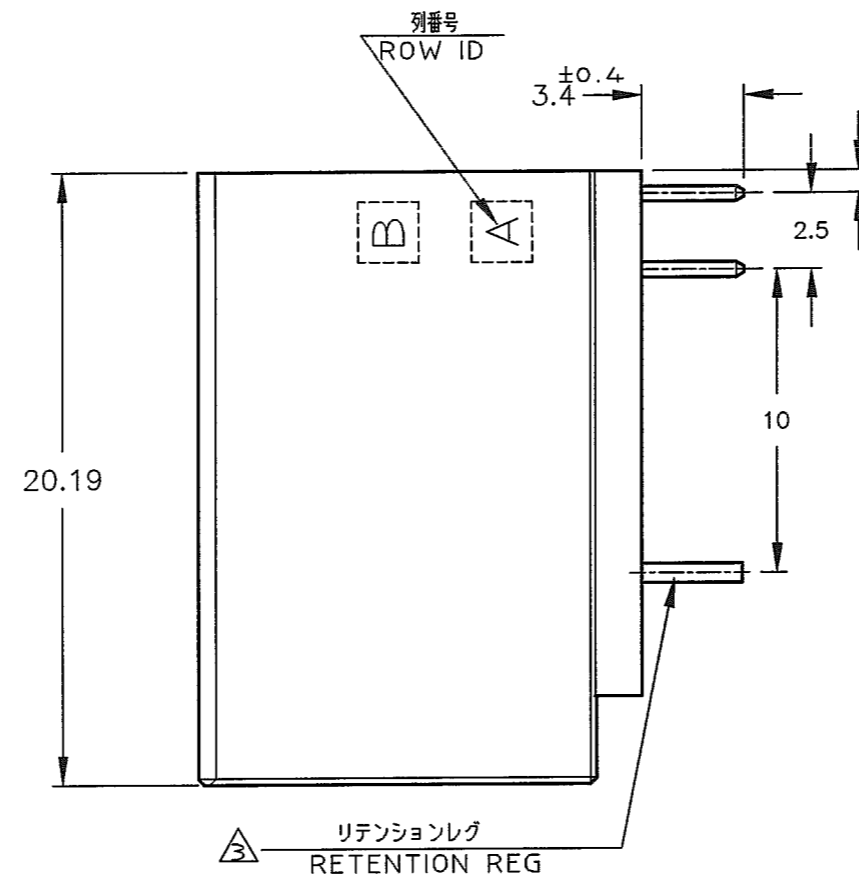
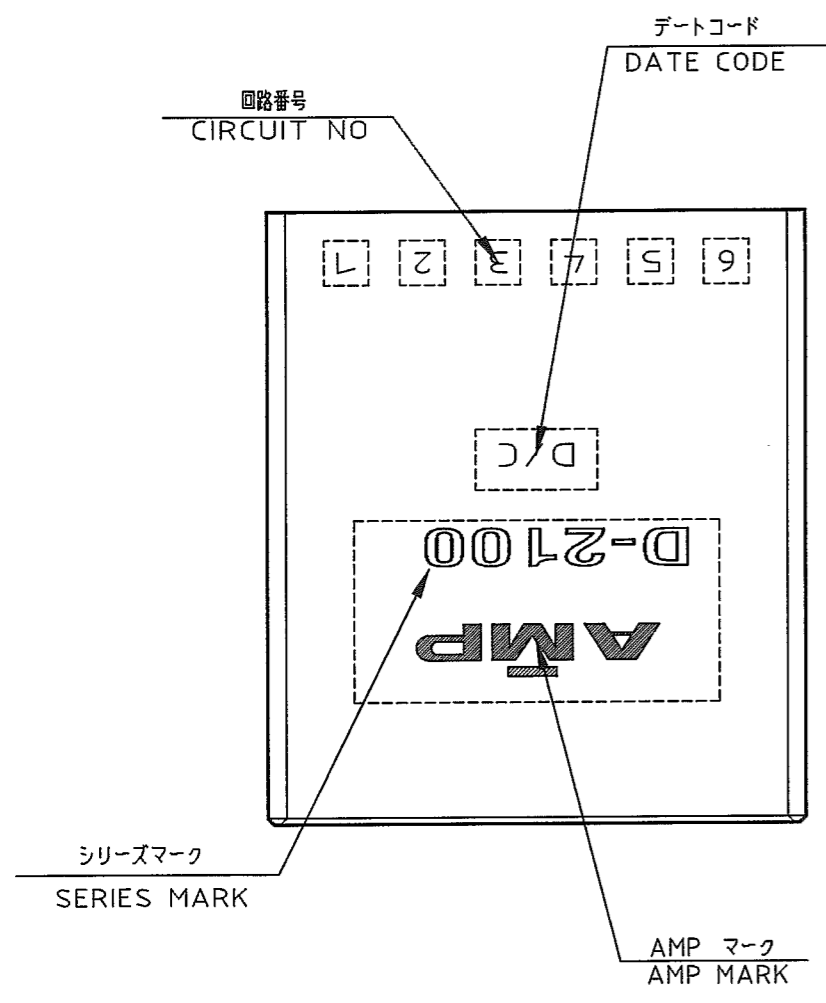
3

2

1

THIS DRAWING IS UNPUBLISHED. RELEASED FOR PUBLICATION, 1998
 © COPYRIGHT 1998 BY AMP INCORPORATED. ALL RIGHTS RESERVED.

LOC		DIST		REVISIONS						
J		ZDI		P	LTR	DESCRIPTION	ECN	DATE	DWN	APVD
				0		RELEASED	FJ00-1755-99	28FEB'00	K.I.H	I.H
				A		REVISED	FJ00-1080-00	21SEP'00	Y.K	S.M
				B		REVISED	FJD0-0039-03	6/2 '03	T.S	S.Y



推奨基板取付け寸法 (公差: ±0.05)
 PC 基板厚: 1.6 ± 0.3 (コネクタ搭載面)

RECOMENDED PC BOARD HOLE PATTERN (TOL: ±0.05)
 PC BOARD THICKNESS: 1.6 ± 0.3 (CONNECTOR MOUNT SIDE)

NOTES

- MATERIAL: HOUSING: GLASS FILLED THERMO PLASTIC, POLYESTER (94V-0), COLOR: BLACK
 TAB CONTACT: COPPER ALLOY
 RETENTION LEG: BRASS
- FINISH (CONTACT AREA): 0.38 μm MIN GOLD PLATING OVER Ni PLATING
- FINISH (RETENTION LEG): TIN PLATED (CONTACT TAIL) OVER NICKEL

注記

- 材料: ハウジング: ガラス入り熱可塑性ポリエステル樹脂 (94V-0), 色: 黒
 タブ コンタクト: 銅合金
 リテンション レグ: 黄銅
- めっき: コンタクト: 全面 Ni 下地 接触部: 0.38 μm MIN 金めっき
- めっき: リテンションレグとコンタクト半田付部: ニッケル下地の上にスズめっき

THIS DRAWING IS A CONTROLLED DOCUMENT FOR AMP INCORPORATED. IT IS SUBJECT TO CHANGE AND THE CONTROLLING ENGINEERING ORGANIZATION SHOULD BE CONTACTED FOR THE LATEST REVISION.		DWN K.IKEDA 24/FEB/'00		Tyco Electronics AMP K.K. Kawasaki, Japan	
DIMENSIONS: 単位: mm		CHK Y.KATO 28/FEB/'00		NAME 2列 ヘッダーアセンブリー 12P (水平タイプ) DOUBLE ROW HEADER ASS'Y 12P ("H" TYPE) <DYNAMIC D-2100D>	
TOLERANCES UNLESS OTHERWISE SPECIFIED		APVD I.HASEGAWA 28/FEB/'00	PRODUCT SPEC 108-5619		
MATERIAL 注記参照 SEE NOTES		FINISH 注記参照 SEE NOTES	APPLICATION SPEC 114-5258		
MATERIAL 注記参照 SEE NOTES		FINISH 注記参照 SEE NOTES	WEIGHT 7.1		
MATERIAL 注記参照 SEE NOTES		FINISH 注記参照 SEE NOTES	SIZE A3	CAGE CODE 00779	DRAWING NO 1376020
MATERIAL 注記参照 SEE NOTES		FINISH 注記参照 SEE NOTES	RESTRICTED TO -		
MATERIAL 注記参照 SEE NOTES		FINISH 注記参照 SEE NOTES	SCALE 4-1 SHEET 1 OF 1 REV B		

X-ON Electronics

Largest Supplier of Electrical and Electronic Components

Click to view similar products for [Headers & Wire Housings](#) category:

Click to view products by [TE Connectivity](#) manufacturer:

Other Similar products are found below :

[892-18-020-10-001101](#) [58102-G61-06LF](#) [582553-1](#) [0009485154](#) [009176003701906](#) [0050291907](#) [LY20-4P-DT1-P1E-BR](#) [02.125.8002.8](#)
[609-3404](#) [61062-3](#) [61082-181009](#) [622-3653LF](#) [63453-116](#) [636-1030](#) [636-1427](#) [636-3427](#) [636-4007](#) [641938-9](#) [641991-4](#) [644827-2](#) [65817-010LF](#) [65817-015LF](#) [65863-015LF](#) [66207-023LF](#) [67095-007LF](#) [67601157](#) [68645-018](#) [68648-049](#) [70.362.1628.0](#) [70-4210](#) [70-4226B](#) [70-4853B](#) [707-5020](#) [707-5028](#) [71.350.2428.0](#) [71918-208LF](#) [71961-016LF](#) [733-134](#) [733-162](#) [754199-000](#) [760-3052](#) [787-8014-00](#) [79531-3000](#)
[FCN-360C032-B](#) [FCN-367T-T012/H](#) [FCN-723D010/2](#) [80.063.4001.1](#) [800-90-001-10-001000](#) [800-90-010-10-002000](#) [801-43-002-10-013000](#)