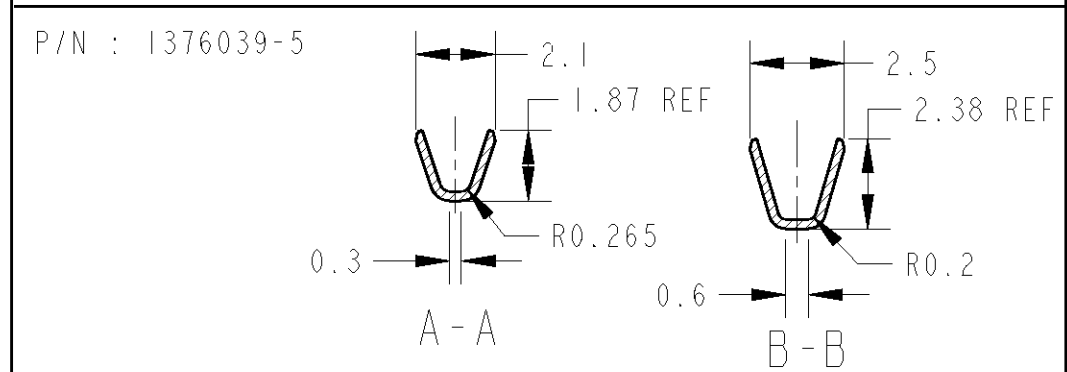
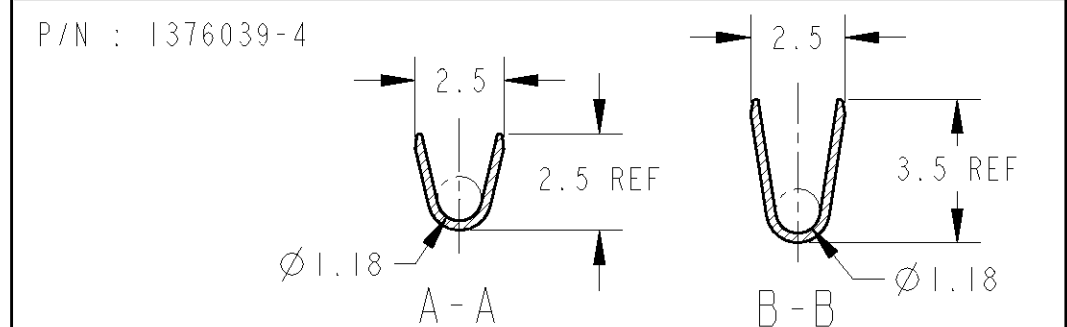
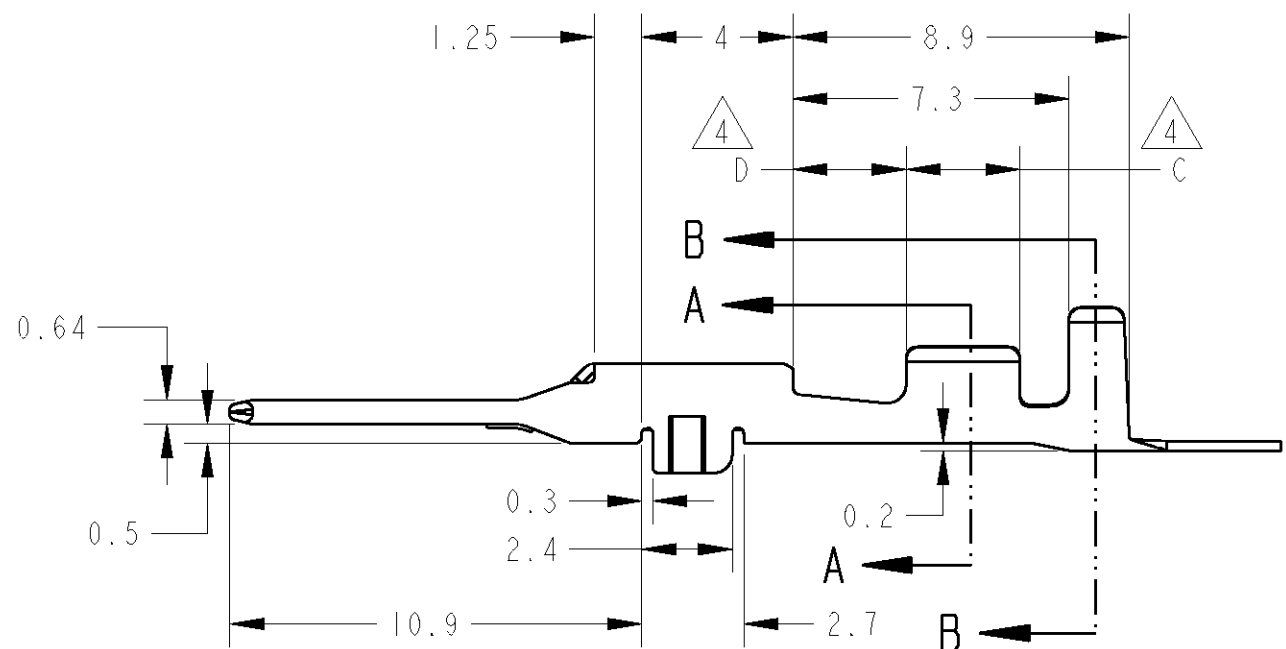
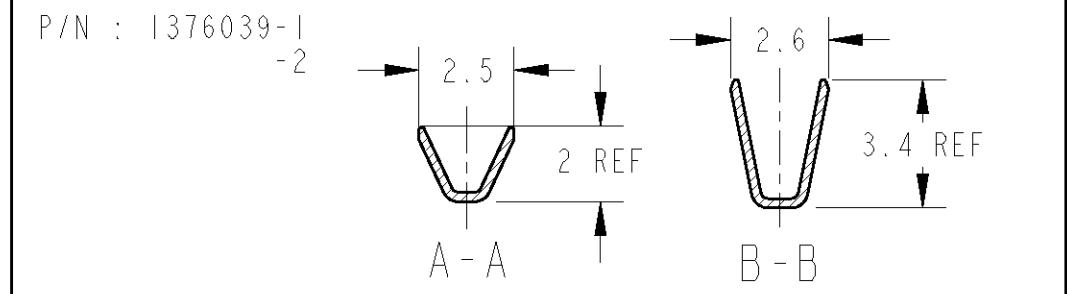
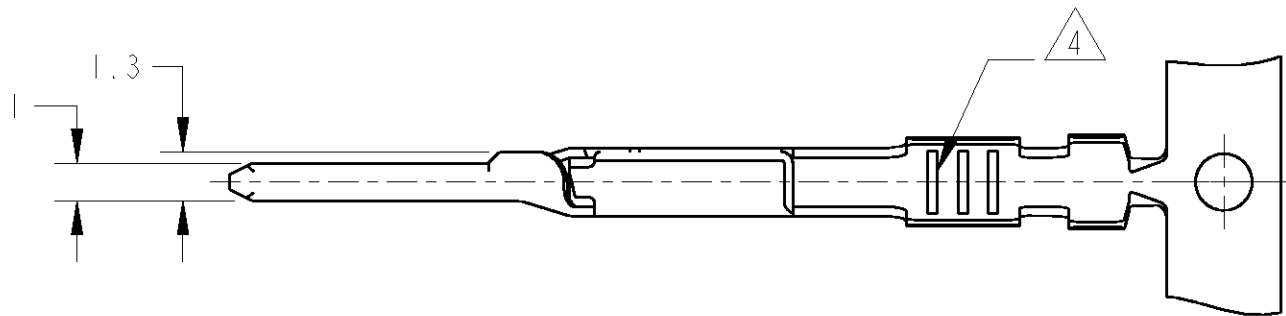


THIS DRAWING IS UNPUBLISHED. RELEASED FOR PUBLICATION 20  
 © COPYRIGHT 20 BY TYCO ELECTRONICS CORPORATION. ALL RIGHTS RESERVED.

LOC J DIST -

REVISIONS						
P	LTR	DESCRIPTION	ECN	DATE	DWN	APVD
03		修正 REVISD	FJA0-0365-04	23JUN04	DM	KS
A		REVISD ECR-05-011780		21APR06	ES	YF



NUMBER OF SERRATIONS	DIMENSION		REMARKS	APPLICABLE WIRE RANGE (適応電線)	FINISH (仕上)	PART NUMBER (型番)
	D	C				
3	3	3	LOOSE PIECE (バラ状)	△2	PRE-TIN (すずめっき済)	1565294-1
3	3	3	LOOSE PIECE (バラ状)	△1	PRE-TIN (すずめっき済)	1565292-1
2	3.7	2.3	STRIP FORM (連鎖状)	△3	PRE-TIN (すずめっき済)	1376039-5
3	3	3	STRIP FORM (連鎖状)	△2	PRE-TIN (すずめっき済)	1376039-4
3	3	3	STRIP FORM (連鎖状)	△1	PRE-TIN (すずめっき済)	1376039-1

- △1 . APPLICABLE WIRE RANGE  
AVSS,CAVS,CAVUS 0.3~0.5mm<sup>2</sup>
- △2 . APPLICABLE WIRE RANGE.  
AVSS,CAVS,CAVUS 0.85mm<sup>2</sup>
- △3 . APPLICABLE WIRE RANGE  
CHFUS 0.22mm<sup>2</sup>
- △4 . SEE TABLE

- △1 . 適応電線  
AVSS,CAVS,CAVUS 0.3~0.5mm<sup>2</sup>
- △2 . 適応電線  
AVSS,CAVS,CAVUS 0.85mm<sup>2</sup>
- △3 . 適応電線  
CHFUS 0.22mm<sup>2</sup>
- △4 . 表参照

THIS DRAWING IS A CONTROLLED DOCUMENT FOR TYCO ELECTRONICS CORPORATION  
 IT IS SUBJECT TO CHANGE AND THE CONTROLLING ENGINEERING ORGANIZATION  
 SHOULD BE CONTACTED FOR THE LATEST REVISION.

DWN	K. IRIKURA	22NOV00	 Tyco Electronics AMP K.K. Kawasaki, Japan
CHK	N. SAI	22NOV00	
APVD	N. SAI	22NOV00	
NAME	040 NK TAB NON SEALED CONTACT		
DIMENSIONS: 単位: 概 mm TOLERANCES UNLESS OTHERWISE SPECIFIED: 一般公差 = ±0.3 0-PLC ± 1-PLC ±0.1 2-PLC ±0.01 3-PLC ±0.001 4-PLC ±0.0001 ANGLES ±3'00"			PRODUCT SPEC 製品規格 APPLICATION SPEC 取付適用規格 114-5297
MATERIAL	黄銅	FINISH	仕上 表参照
CUSTOMER DRAWING			SIZE A3 CAGE CODE 00779 DRAWING NO 1376039 WEIGHT 0.25g
SCALE 5:1			RESTRICTED TO

## X-ON Electronics

Largest Supplier of Electrical and Electronic Components

*Click to view similar products for [Automotive Connectors](#) category:*

*Click to view products by [TE Connectivity](#) manufacturer:*

Other Similar products are found below :

[003-018-000](#) [600858](#) [60403001](#) [60993906-B](#) [60993913-B](#) [629515004020001](#) [M83723/71R1808N L/C](#) [M902-2131](#) [M902-2161](#) [M902-2344](#)  
[72.330.1035.1](#) [73.353.4028.0](#) [F118010](#) [F119300-B](#) [F132210](#) [F166900](#) [F180100](#) [F258300](#) [F258300-B](#) [F294300-B](#) [F339100](#) [F339700](#)  
[F358300-B](#) [F374110](#) [F407400](#) [F412210](#) [F444110](#) [F487000](#) [F495100](#) [F500900-B](#) [F509500B-B](#) [770444-1](#) [827153-1](#) [881735-1](#)  
[8N1515-32-24P](#) [9-1326729-8](#) [925467-1](#) [925474-1](#) [928905-1](#) [936398-2](#) [964562-4](#) [964731-2](#) [968782-1](#) [GT17SA-8DS-HU](#) [GT17VS-10DP-](#)  
[5.2CF](#) [98315-0001](#) [98315-0010](#) [98891-1012](#) [98895-2014](#) [98936-1039](#)