

THIS DRAWING IS UNPUBLISHED.

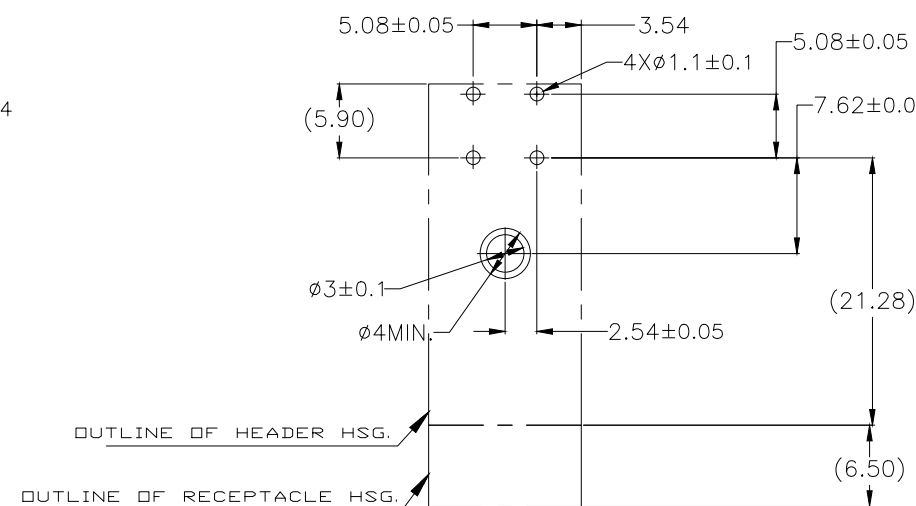
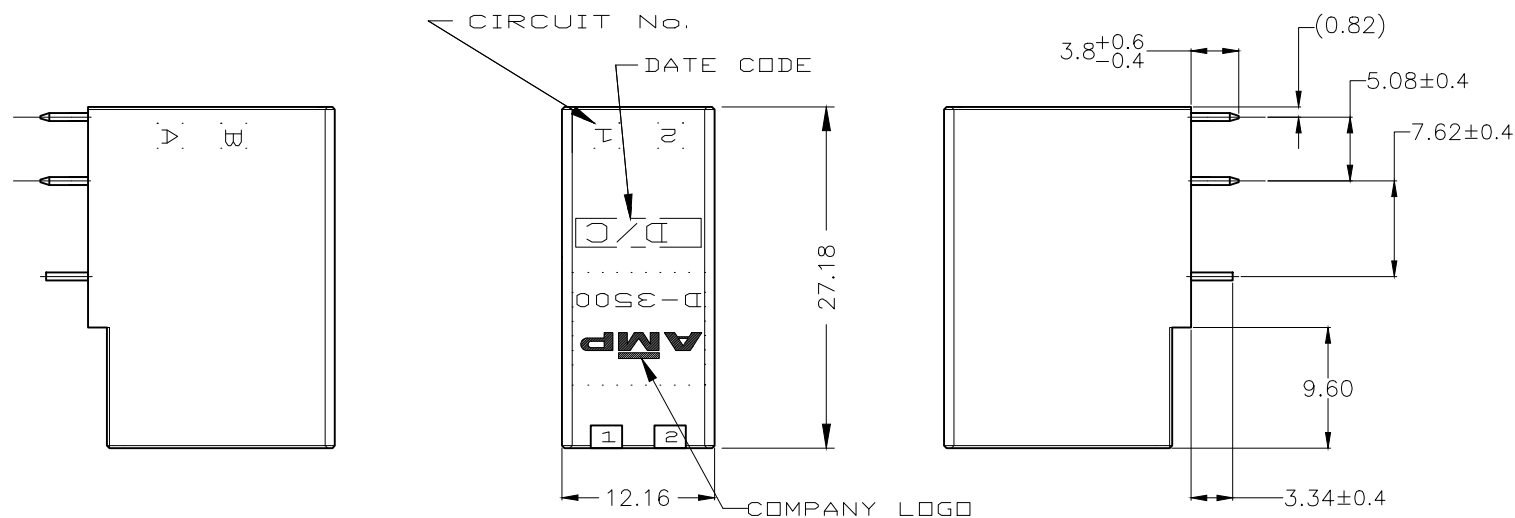
RELEASED FOR PUBLICATION

© COPYRIGHT - TE Connectivity Ltd.

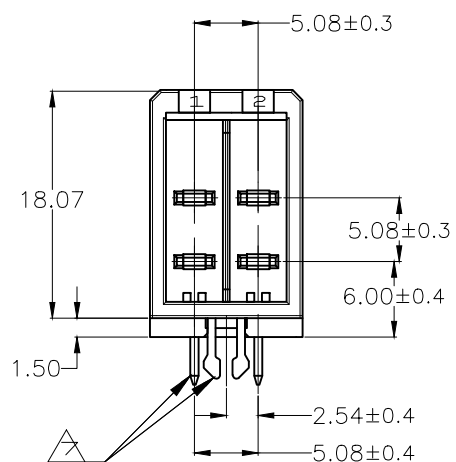
ALL RIGHTS RESERVED.

REVISIONS

P	LTR	DESCRIPTION	DATE	DWN	APVD
0		RELEASED FJ00-2107-99	3/8'00	M.H	S.M
A		REVISED FJD0-0039-03	2JUN'03	T.S	S.M
B		REVISED ECR ECR-19-011957	29JUL'19	A.W	R.B
C		REVISED ECR ECR-19-016939	30OCTL'19	A.W	R.B



RECOMEND PC BOARD HOLE (NOT ACCUMULATE TOLERANCE)
PC BOARD THICKNESS;1.6±0.1



NOTES

- △ MATERIAL;HOUSING:GLASS FIELD THERMO PLASTIC,POLYESTER. COLOR:BLACK CONTACT:PHOS.BRO SYSTEM RETENTION LEG : BRASS
- △ PRODUCT SPEC;108-5349
- 3 QUALIFICATION TEST REPORT;501-5013
- △ FINISH(CONTACT AREA);0.38μMIN. GOLD PLT. OVER NICKL
- △ FINISH(CONTACT AREA);0.76μMIN. GOLD PLT. OVER NICKL
- △ FINISH(CONTACT); 2μMIN. TIN PLT. OVER NICKL
- △ FINISH(RETENTION LEG AND CONTACT TAIL);TIN PLT. OVER NICKEL.

△ △	1376133-5
△ △	1376133-2
FINISH	PART NUMBER

THIS DRAWING IS A CONTROLLED DOCUMENT.		DWN M.HIGO	3MAR'00	TE Connectivity	
		CHK S.MANABE	3MAR'00		
		APVD S.MANABE	3MAR'00	NAME	
		PRODUCT SPEC		DYNAMIC(D-3500)	
		APPLICATION SPEC		4 POS. HDR. ASSY	
		WEIGHT	4.156g	SIZE	A3
		CUSTOMER DRAWING		CAGE CODE	00779
				DRAWING NO	C-1376133
				RESTRICTED TO	-
				SCALE	2:1
				SHEET	1 OF 1
				REV	C

X-ON Electronics

Largest Supplier of Electrical and Electronic Components

Click to view similar products for [Headers & Wire Housings](#) category:

Click to view products by [TE Connectivity](#) manufacturer:

Other Similar products are found below :

[892-18-020-10-001101](#) [58102-G61-06LF](#) [582553-1](#) [0009485154](#) [009176003701906](#) [0050291907](#) [LY20-4P-DT1-P1E-BR](#) [02.125.8002.8](#)
[609-3404](#) [61062-3](#) [61082-181009](#) [622-3653LF](#) [63453-116](#) [636-1030](#) [636-1427](#) [636-3427](#) [636-4007](#) [641938-9](#) [641991-4](#) [644827-2](#) [65817-](#)
[010LF](#) [65817-015LF](#) [65863-015LF](#) [66207-023LF](#) [67095-007LF](#) [67601157](#) [68645-018](#) [68648-049](#) [70.362.1628.0](#) [70-4210](#) [70-4226B](#) [70-](#)
[4853B](#) [707-5020](#) [707-5028](#) [71.350.2428.0](#) [71918-208LF](#) [71961-016LF](#) [733-134](#) [733-162](#) [754199-000](#) [760-3052](#) [787-8014-00](#) [79531-3000](#)
[FCN-360C032-B](#) [FCN-367T-T012/H](#) [FCN-723D010/2](#) [80.063.4001.1](#) [800-90-001-10-001000](#) [800-90-010-10-002000](#) [801-43-002-10-013000](#)